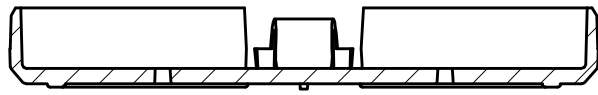
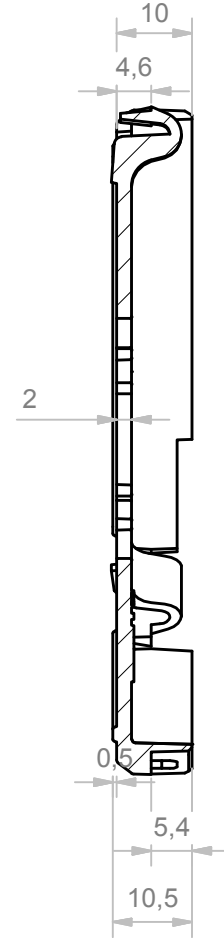


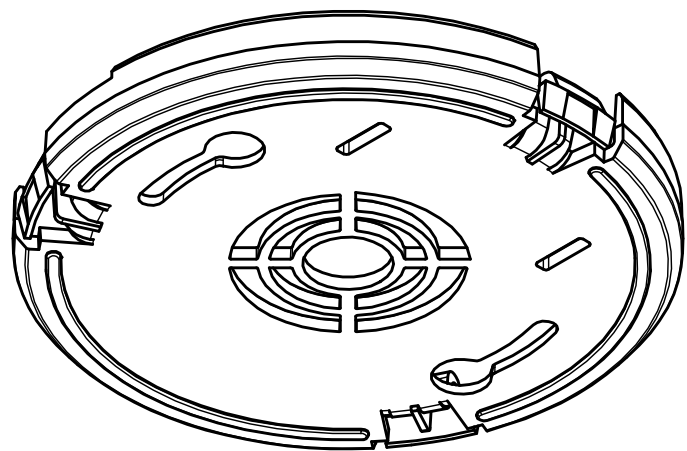
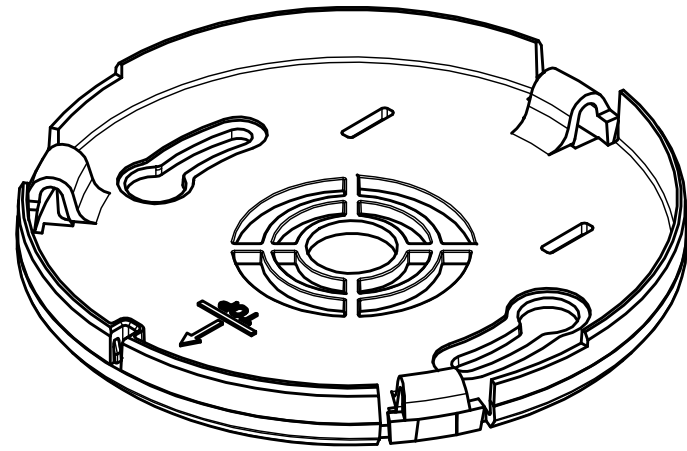
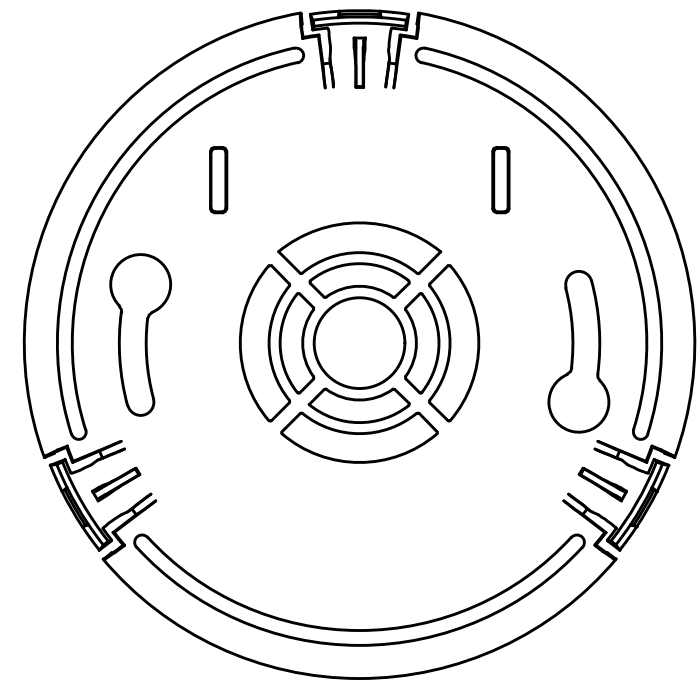
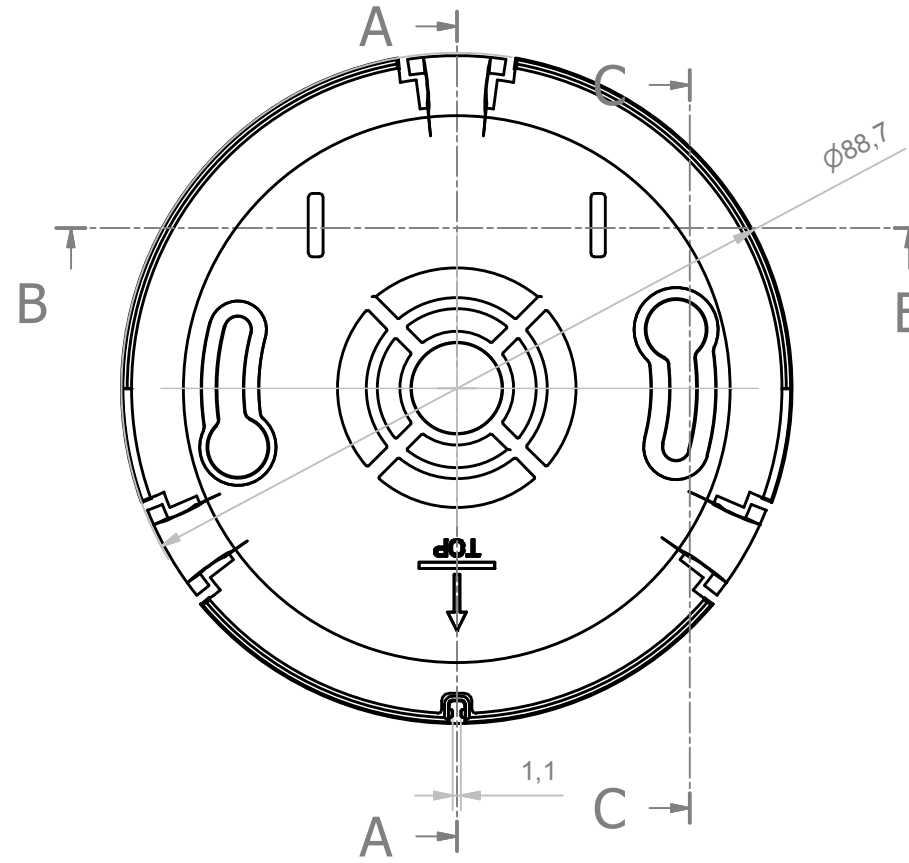
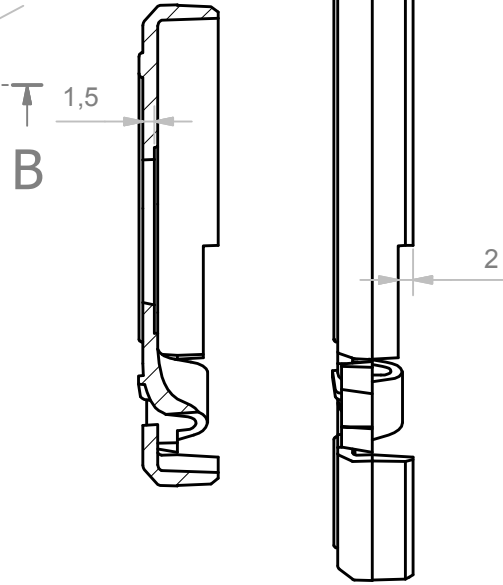
B-B (1:1)



A-A (1:1)



C-C (1:1)



RESERVED PROPERTY: The present drawing cannot be reproduced or communicated to 3d parties, even partially, without the authorization of ITALTRONIC Srl. Italtronic reserves to protect its own rights according to the law.				
GENERAL TOLERANCE	<b>UNI EN 22768/1 Media (m)</b>	DRAWN BY	Checked:	Scale:
Sheet nr.:	Dimension in mm	GAD Manual modification are not allowed	F.F.	Fanin F.
1 / 1		Date:	23/10/2017	Material: --
Description:				Weight:
EYE BASE PER FISSAGGIO PARETE TIPO STD EYE-BASE FOR WALL FIXING STD TYPE				0,015 kg
 Italtronic s.r.l. via Austria 25/D - 35127 Padova - Italy www.italtronic.com			Drawing nr.	Rev.
			1.001.07145	