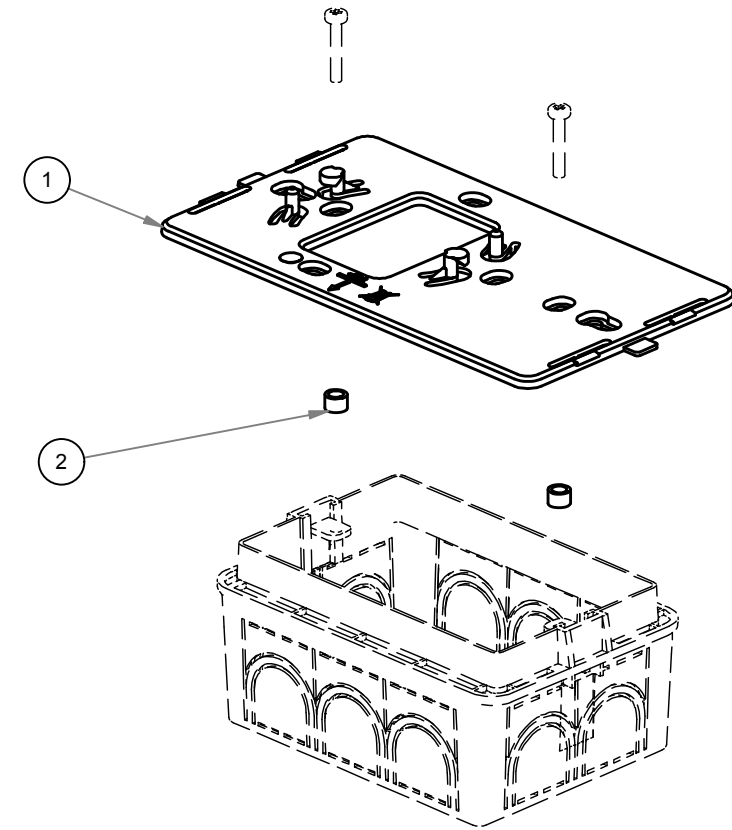
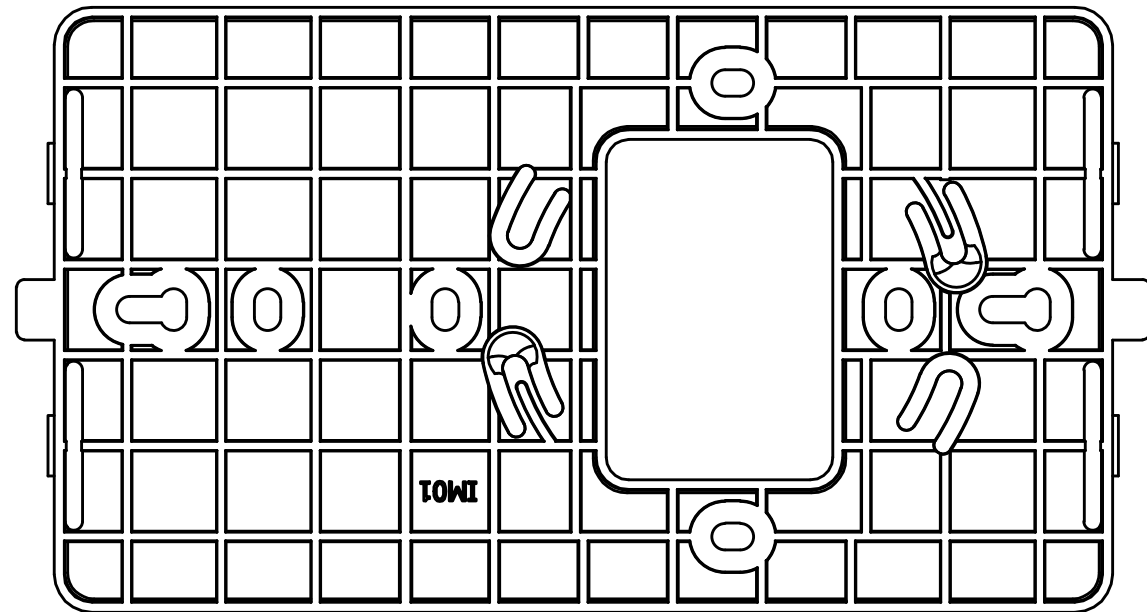
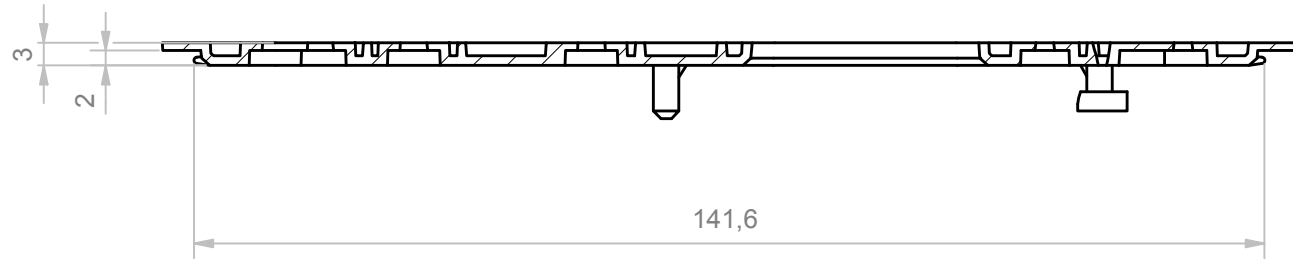


B-B (1:1)




RIF.	Q.TY	DESCRIPTION	DRAWING
1	1	EYE PLATE FOR WALL FIXING OR ELECTRIC ENCLOSURE	2_240_00032
2	2	ROUND PLASTIC SPACER 6x4.1x4 mm	8_050_00009

General Tolerance UNI EN 22768/1 Media (m)				
from 0.5 to 3	from 3 to 6	from 6 to 30	from 30 to 120	from 120 to 400
± 0.1	± 0.1	± 0.2	± 0.3	± 0.5

Scale: 1:2	Sheet nr.: 1/1	Drawn: R.N.	Checked: R.N.	Date: 13/07/2020
------------	----------------	-------------	---------------	------------------

Material:	Weight:	Cod. Mold:

 enclosures for electronics italtronic.com	Description: EYE PLACCA PER FISSAGGIO A PARETE O SCATOLA ELETTRICA CON DISTANZIALI EYE PLATE FOR WALL FIXING OR ELECTRIC ENCLOSURE WITH SPACERS	Rev.
	Drawing nr. 3_240_00039	00

RESERVED PROPERTY: The present drawing cannot be reproduced or communicated to 3rd parties, even partially, without the authorization of ITALTRONIC Srl. Italtronic reserves to protect its own rights according to the law.