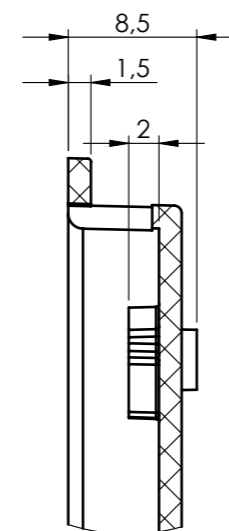
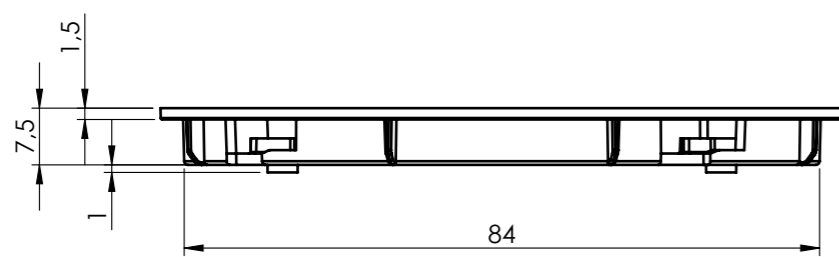
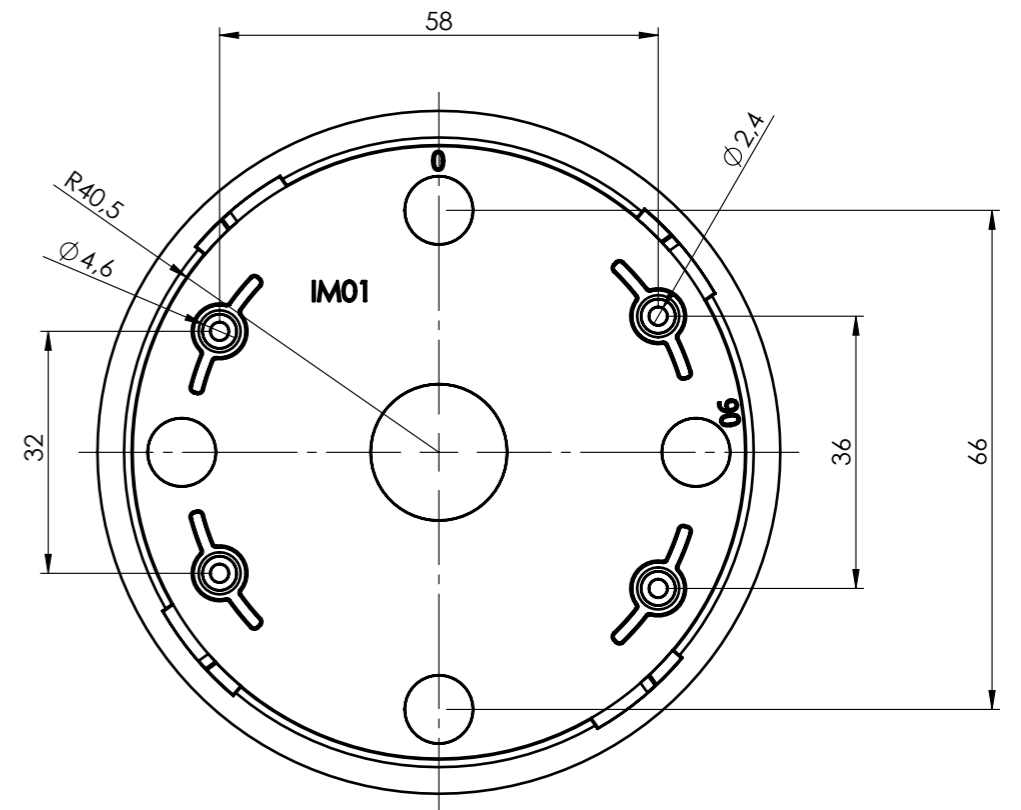


SECTION A-A



DETAIL B
SCALE 2 : 1

General Tolerance UNI EN 22768/1 Media (m)					Sheet:
from 0.5 to 3 ± 0.1	from 3 to 6 ± 0.1	from 6 to 30 ± 0.2	from 30 to 120 ± 0.3	from 120 to 400 ± 0.5	1
Scale: 1:1	IM: 01	Drawn: M.S.	Checked: R.N.	Date: 06/07/2023	Material: ABS
Dimension in mm		Replaces the: T-07103-03		Derived from: --	Weight: gr
Description: EYE VASCHETTA PCB NON EQUIPAGGIATA EYE-PCB ENCLOSURE NOT EQUIPPED					Process: INJECTION
Drawing nr.: 2_240_00036					Cod. Mold: ST.1400330
Rev.: -					A3

italtronic
enclosures for electronics
italtronic.com