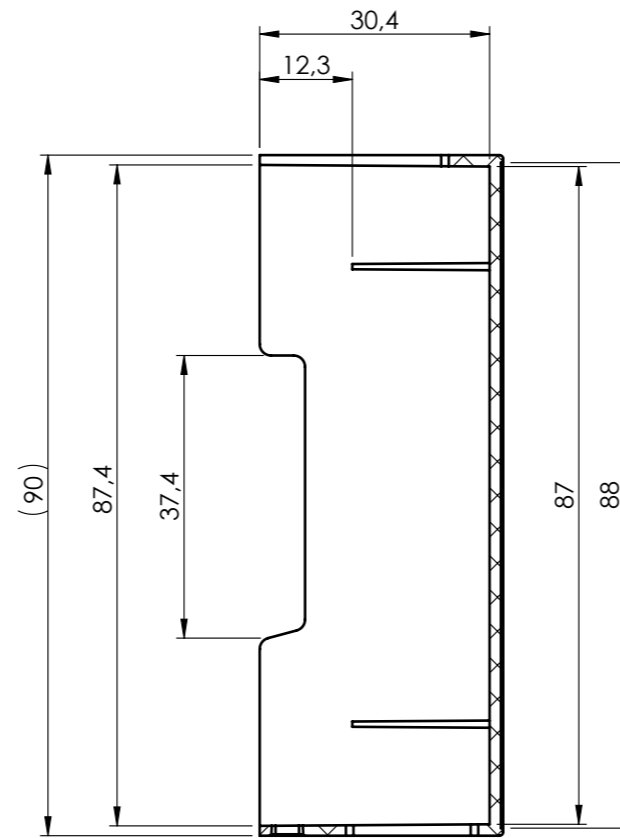
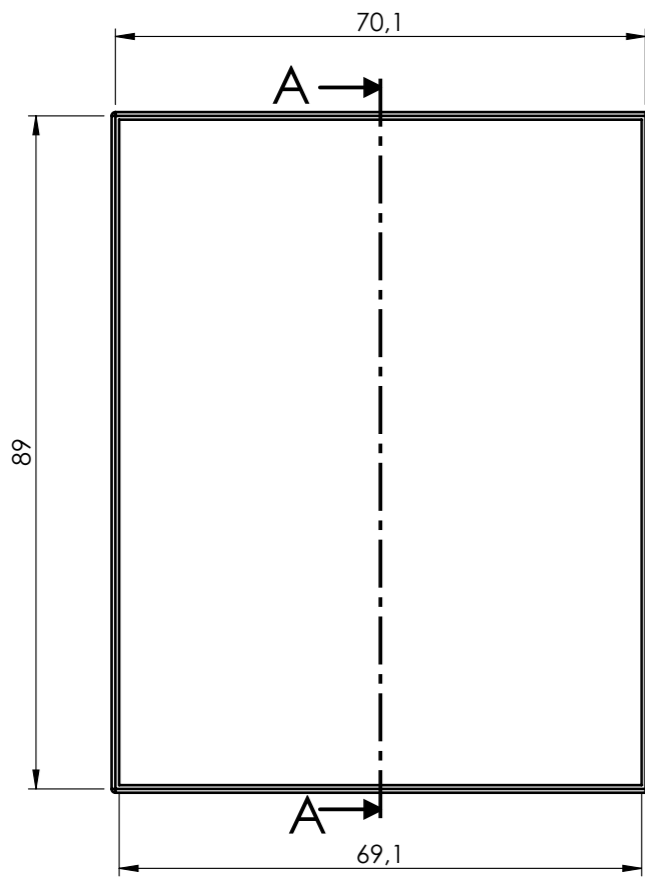
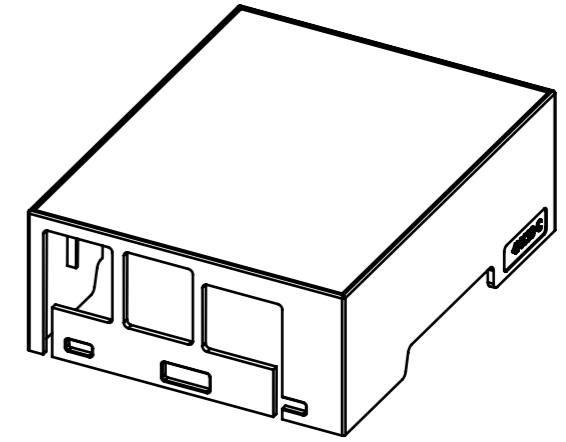
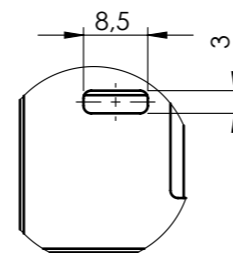
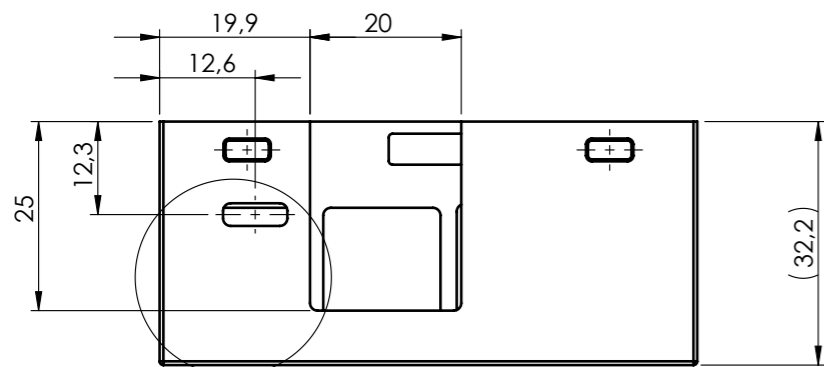
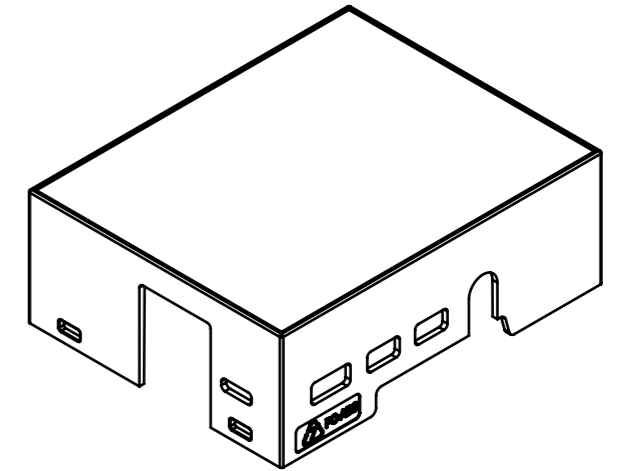


DETAIL B
SCALE 2 : 1



SECTION A-A



DETAIL C

General Tolerance UNI EN 22768/1 Media (m)					Sheet:
from 0.5 to 3 ± 0.1	from 3 to 6 ± 0.1	from 6 to 30 ± 0.2	from 30 to 120 ± 0.3	from 120 to 400 ± 0.5	1
Scale: 1:1	IM: --	Drawed: D.S.	Checked: R.N.	Date: 26/03/2026	Material: PC/ABS
Dimension in mm		Replaces the: --	Derived from: --	Weight: 24.28 gr	Cod. Mold: --
 enclosures for electronics italtronic.com		Description: CORPO MODULBOX XTS COMPACT 4MC33-C PI4 DOMOP17 MODULBOX BODY XTS COMPACT 4MC33-C PI4 DOMOP17			Rev.: - A3
Drawing nr.: 2_050_00089					