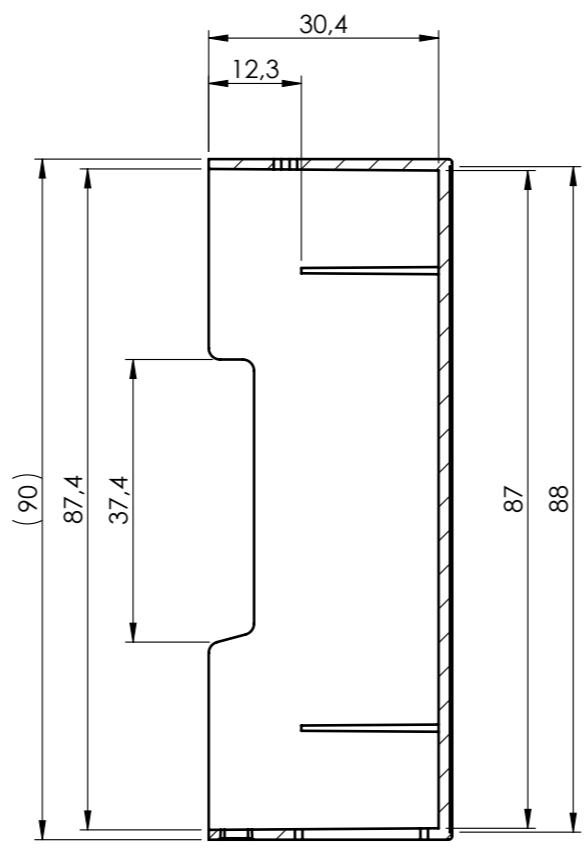
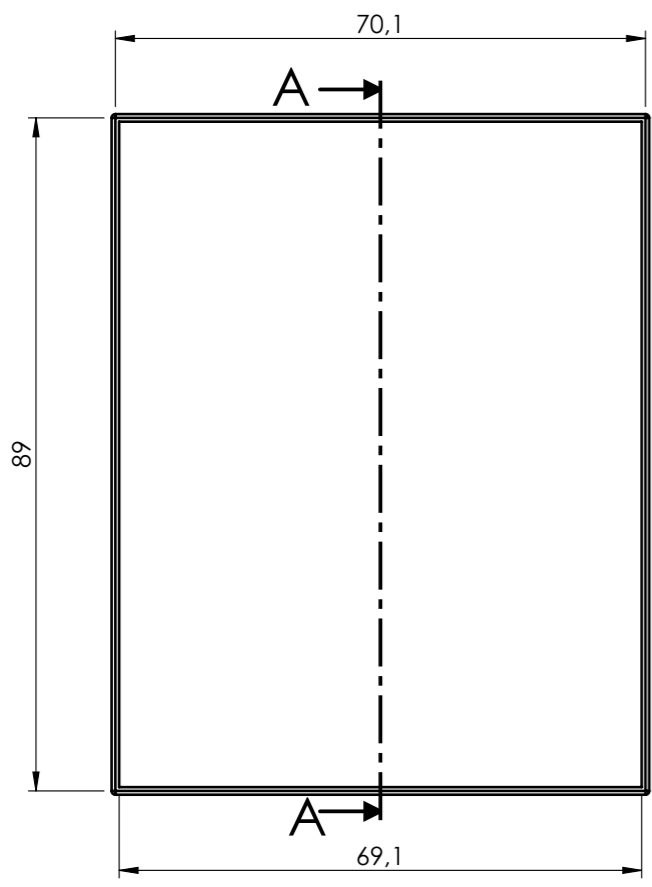
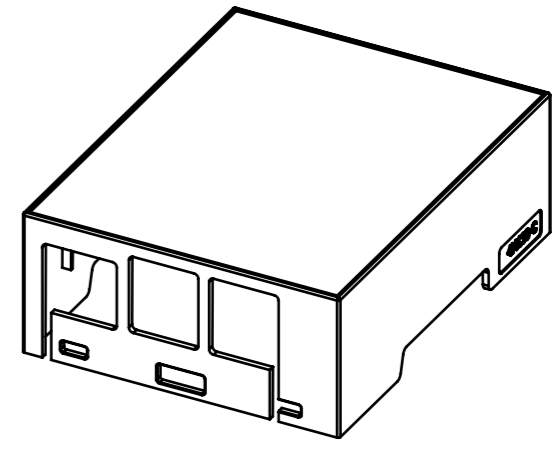
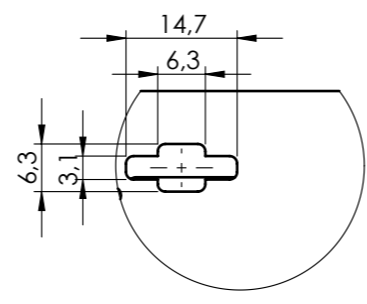
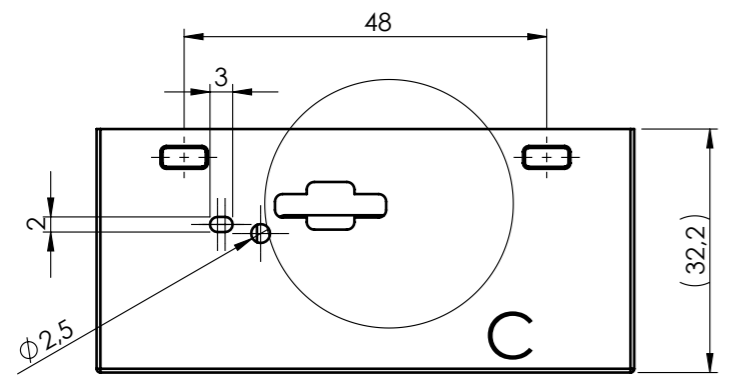
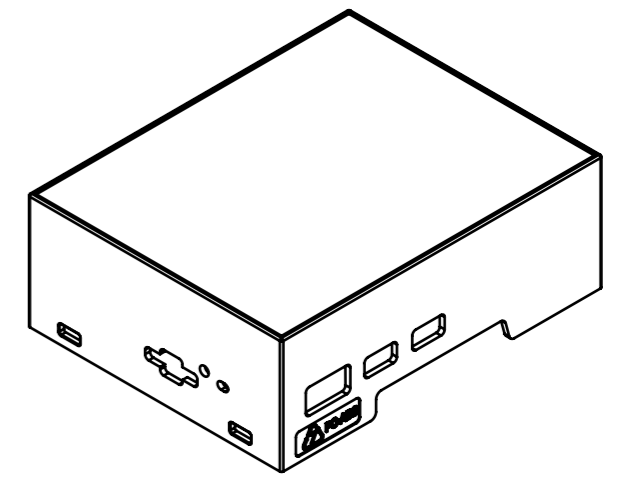


DETAIL B
SCALE 2 : 1



SECTION A-A



DETAIL C

General Tolerance UNI EN 22768/1 Media (m)					Sheet:
from 0.5 to 3 ± 0.1	from 3 to 6 ± 0.1	from 6 to 30 ± 0.2	from 30 to 120 ± 0.3	from 120 to 400 ± 0.5	1
Scale: 1:1	IM: --	Drawed: D.S.	Checked: R.N.	Date: 26/03/2016	Process: Materiale <non specificato>
Dimension in mm		<small>The present drawing cannot be reproduced or communicated to 3rd parties, even partially, without the authorization of ITALTRONIC S.p.A. Italtronic reserves to protect its own rights according to the law.</small>	Replaces the: --	Derived from: --	Weight: 25.16 gr Cod. Mold: --
italtronic enclosures for electronics italtronic.com		Description: CORPO MODULBOX XTS COMPACT 4MC33-C P15 MODULBOX BODY XTS COMPACT 4MC33-C P15			Drawing nr.: 2_050_00088 Rev.: - A3