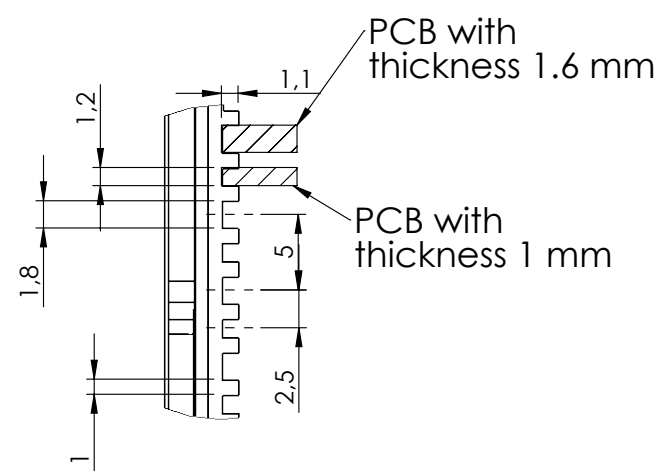
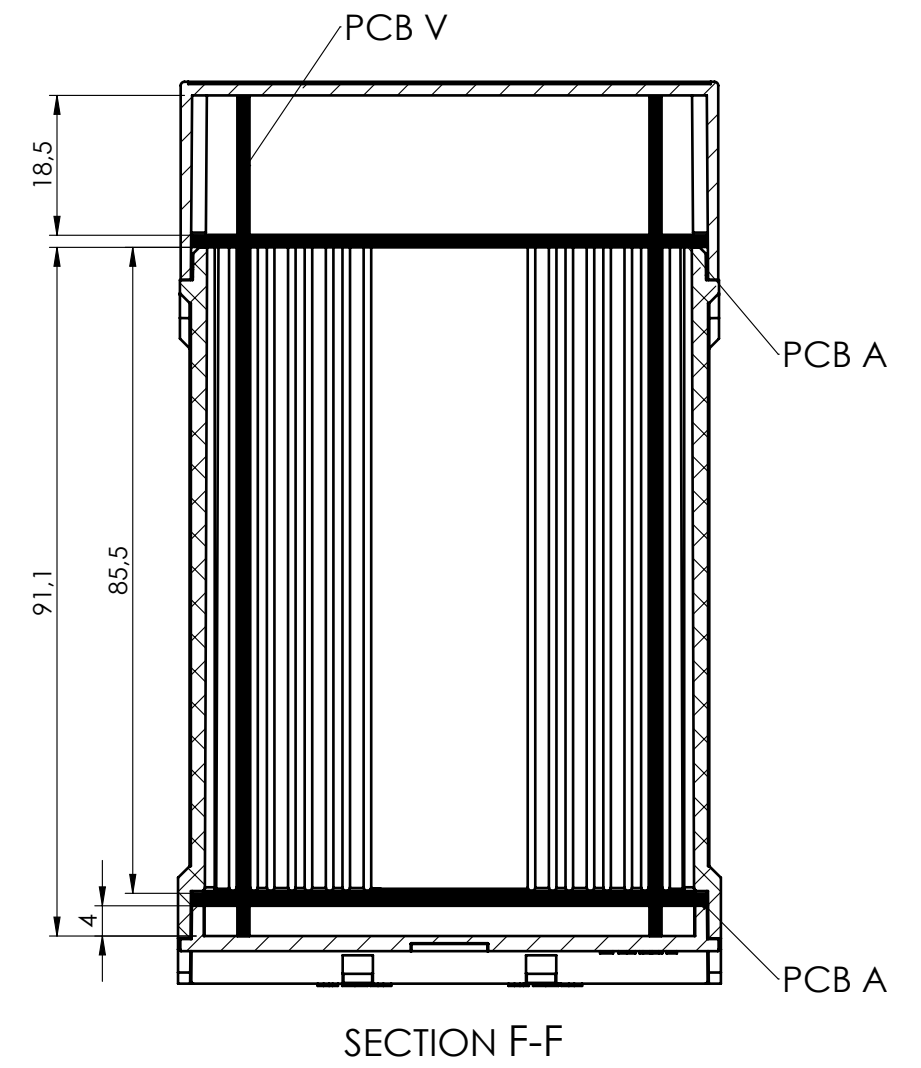
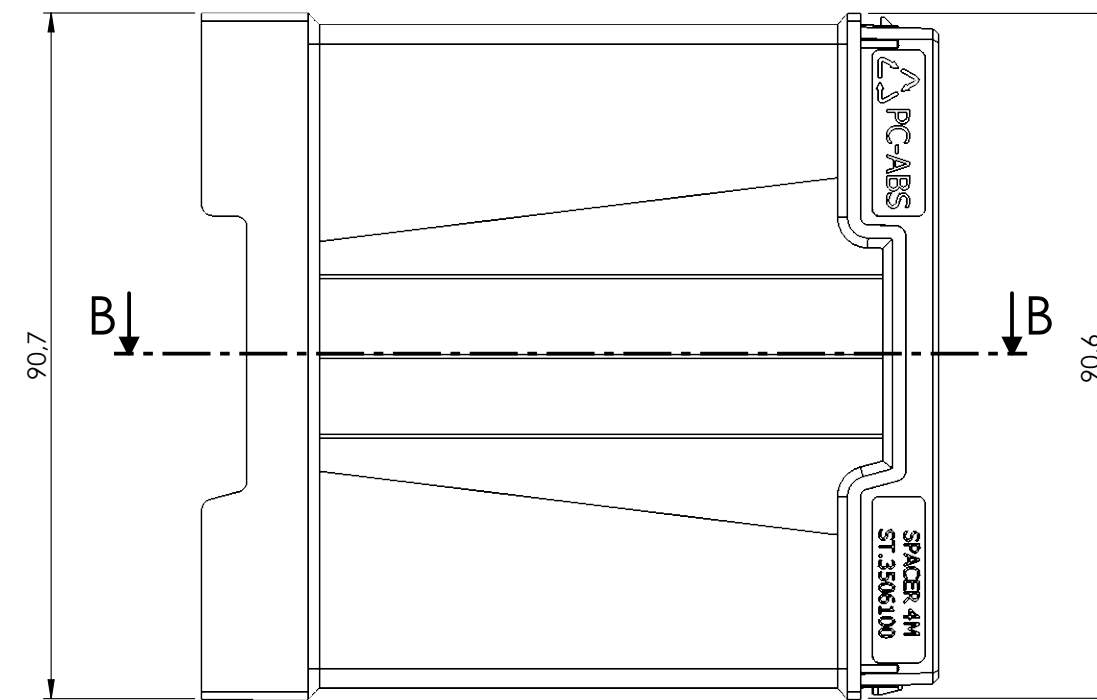
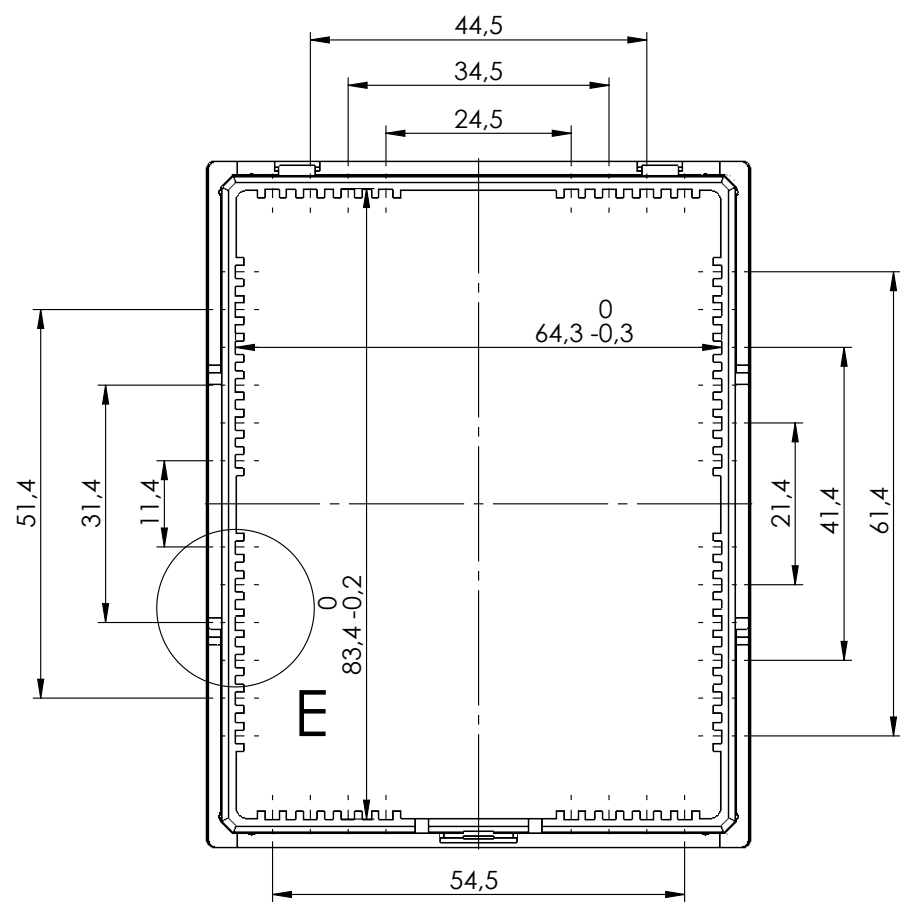
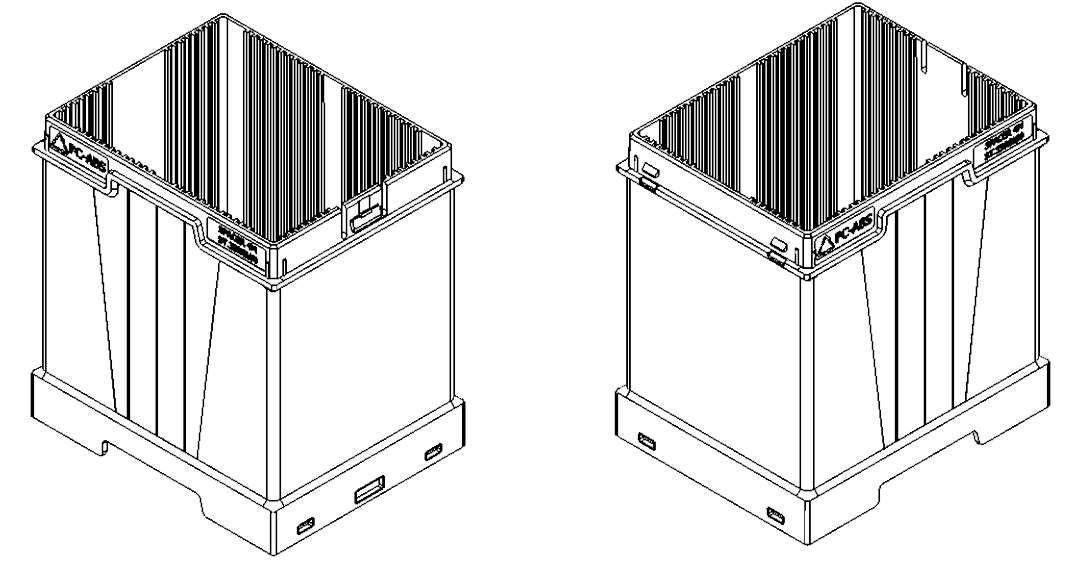
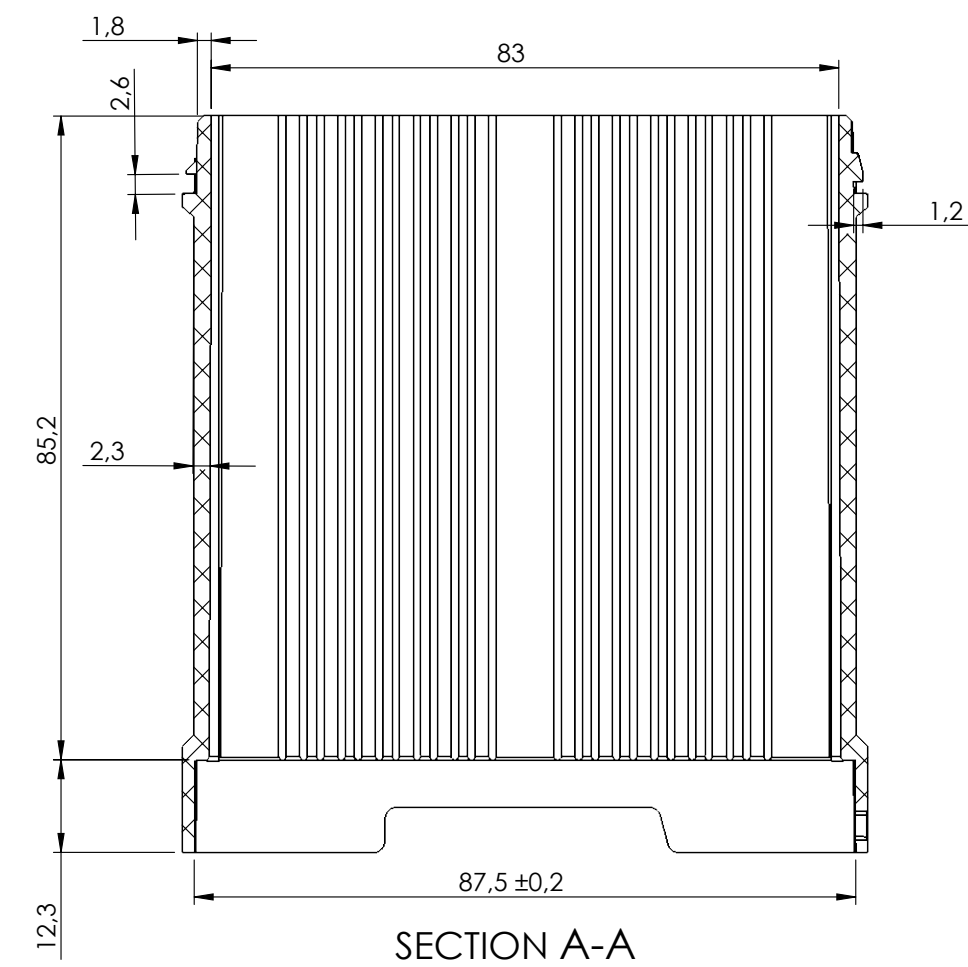
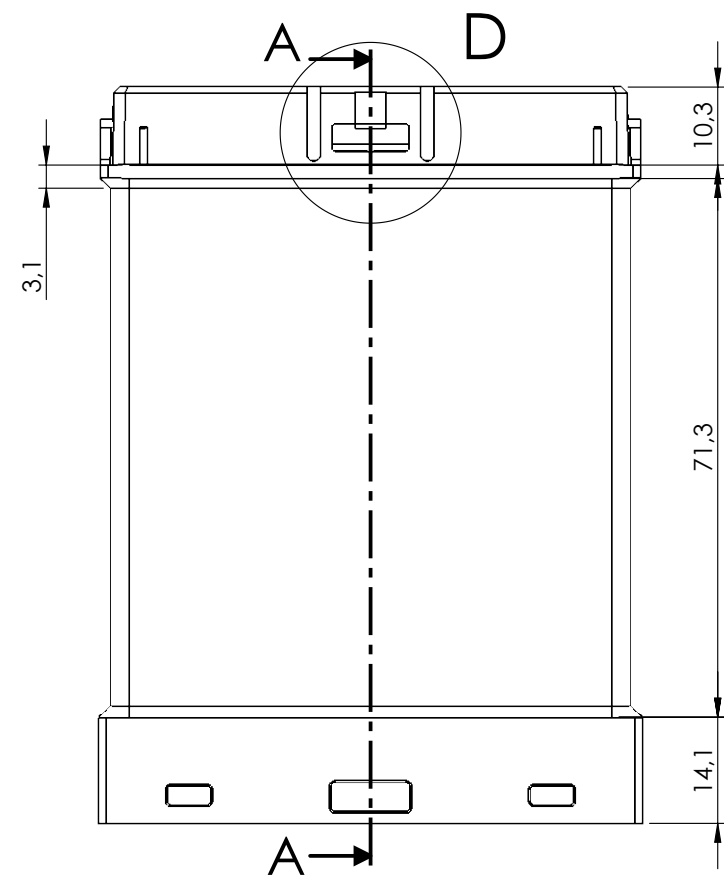
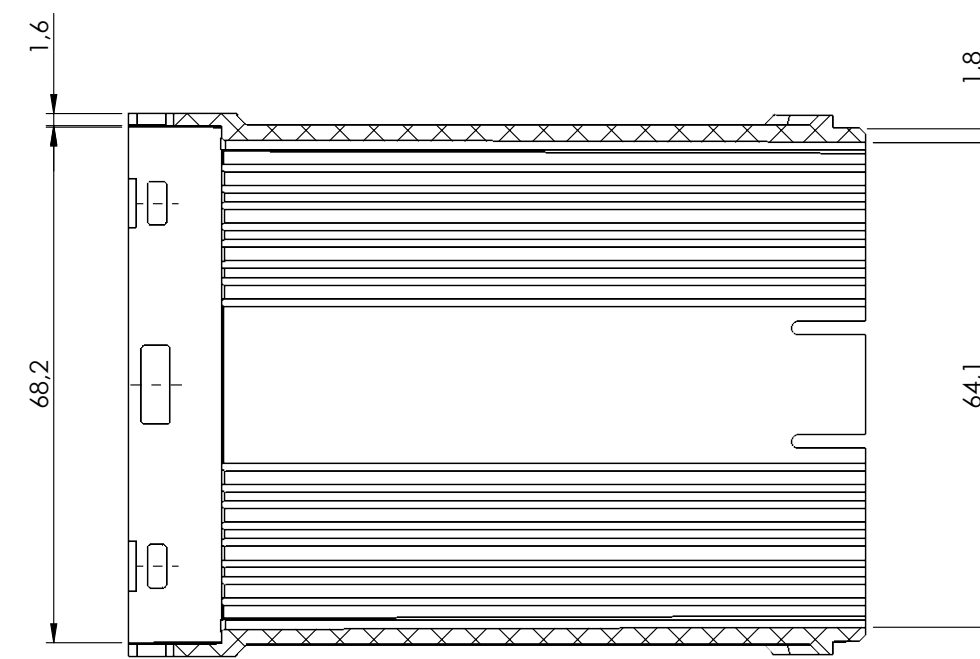
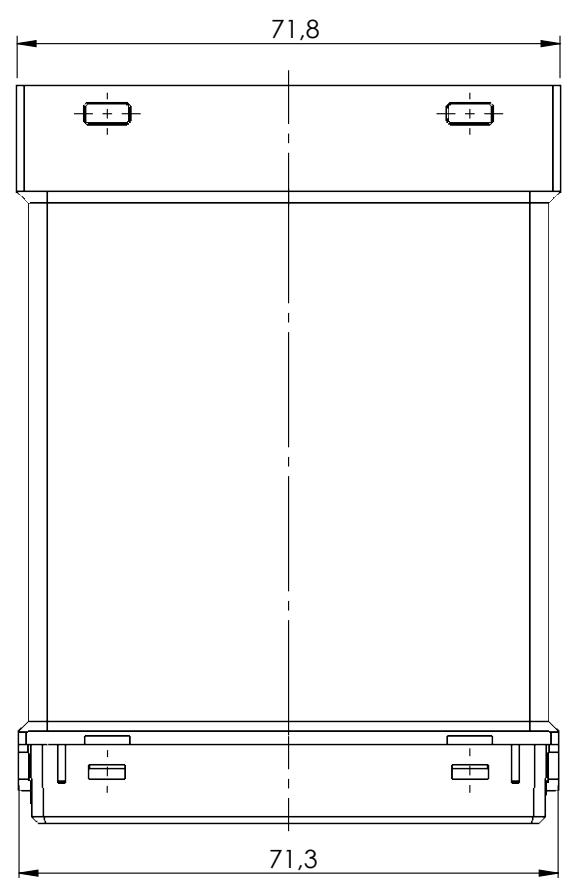


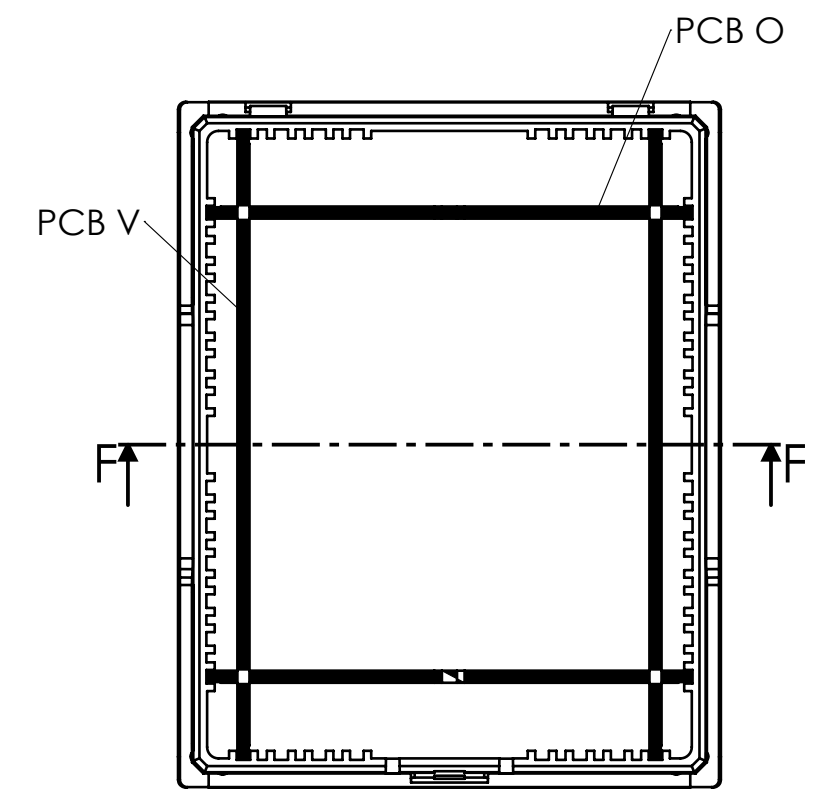
DETAIL D  
SCALE 2 : 1



DETAIL E  
SCALE 2 : 1



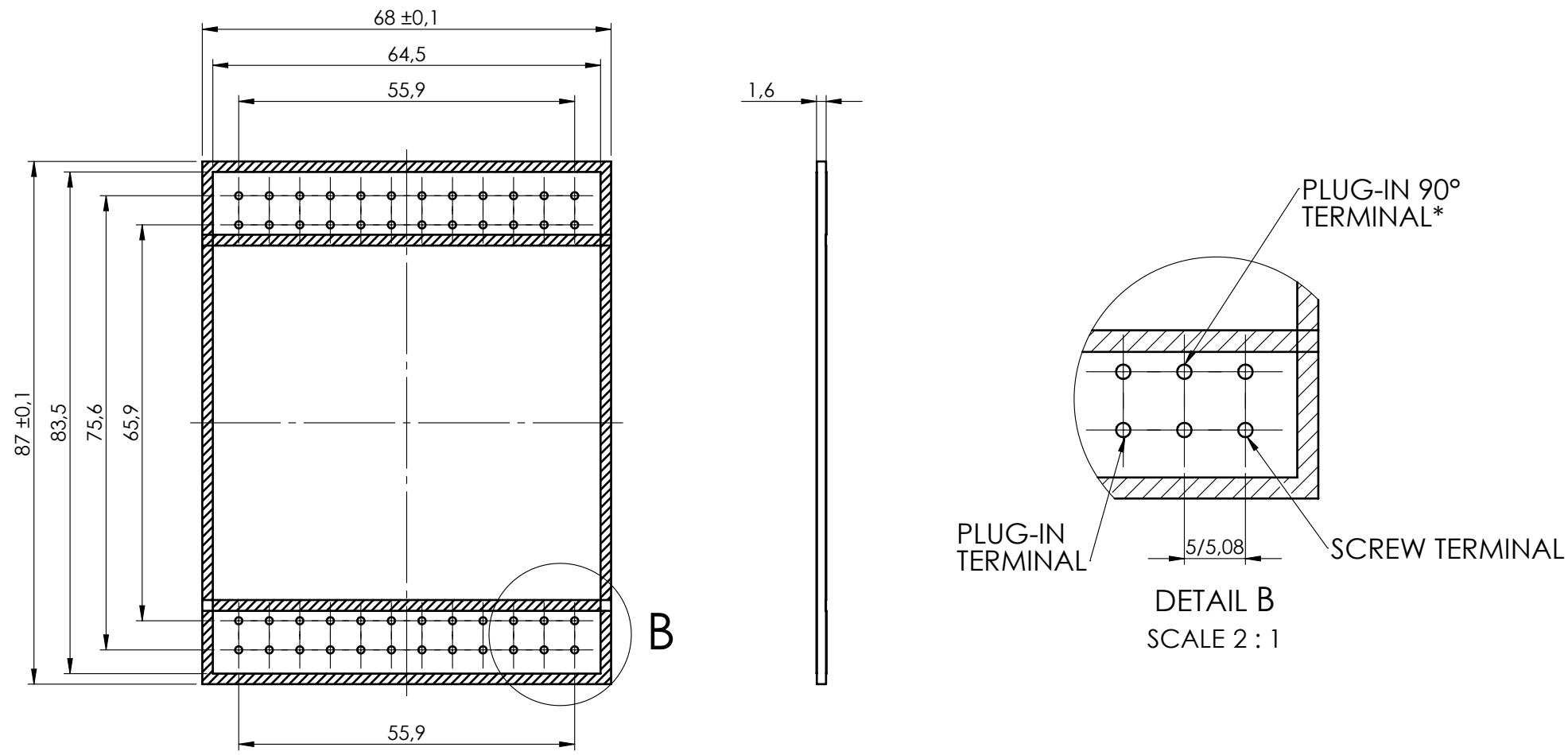
SECTION B-B



General Tolerance UNI EN 22768/1 Media (m)					Sheet:
from 0.5 to 3 ± 0.1	from 3 to 6 ± 0.2	from 6 to 30 ± 0.1	from 30 to 120 ± 0.3	from 120 to 400 ± 0.5	1
Scale:	Drawn:	Checked:	Date:	Material:	Process:
1:1	M.S.	R.N.	05/07/2023	PC/ABS	
Derived from:				Weight:	Cod. Mold:
				83.58 gr	ST.3506100
itatronic enclosures for electronics itatronic.com					Description: DISTANZIALE MODULBOX XTS - 4M COMPACT SPACER MODULBOX XTS - 4M COMPACT Drawing nr.: <b>2_250_00171</b>
					Rev.: 00 A2

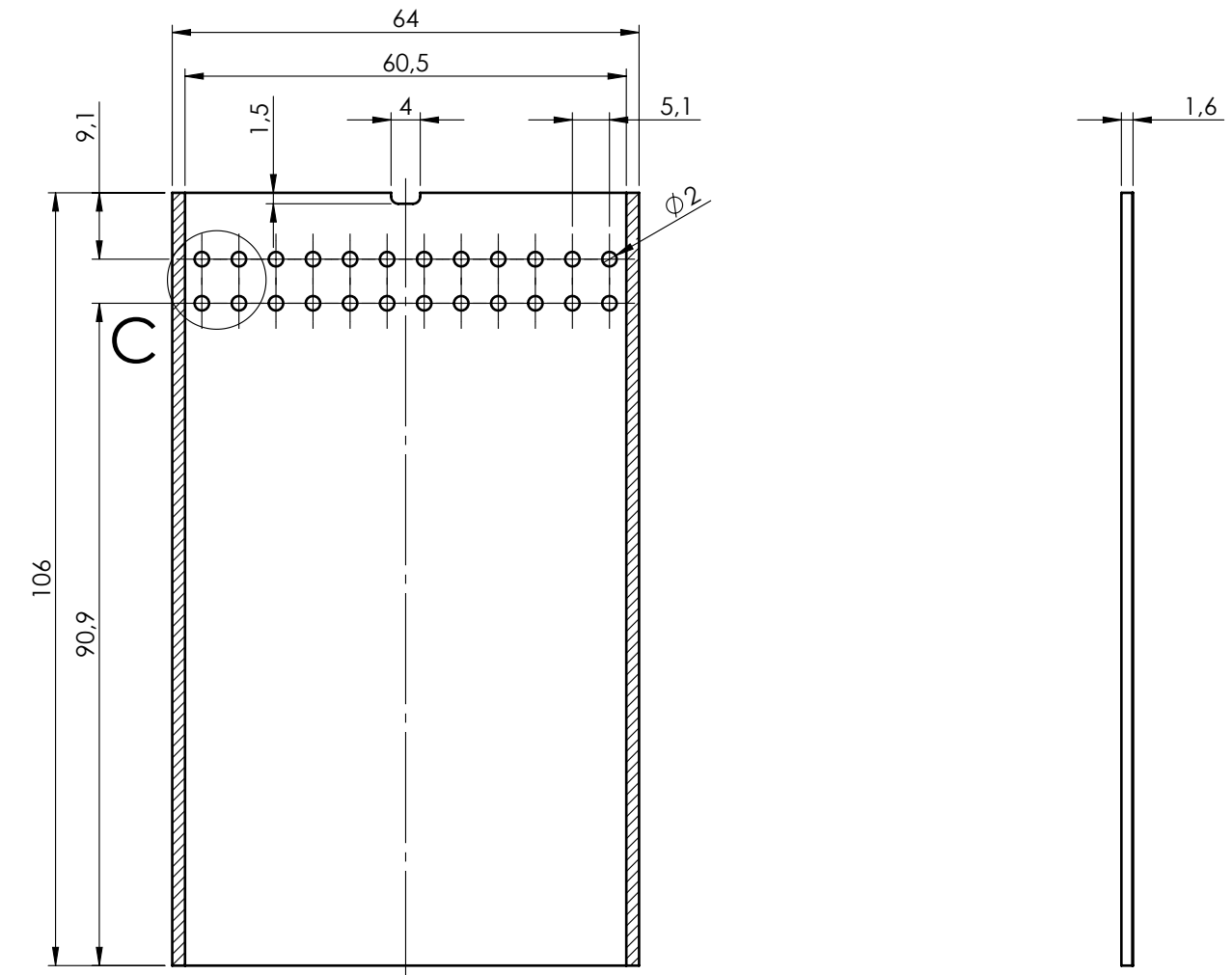
Max height of the terminal:  
Modulbox XT/XTS: 18.5 mm

PCB A

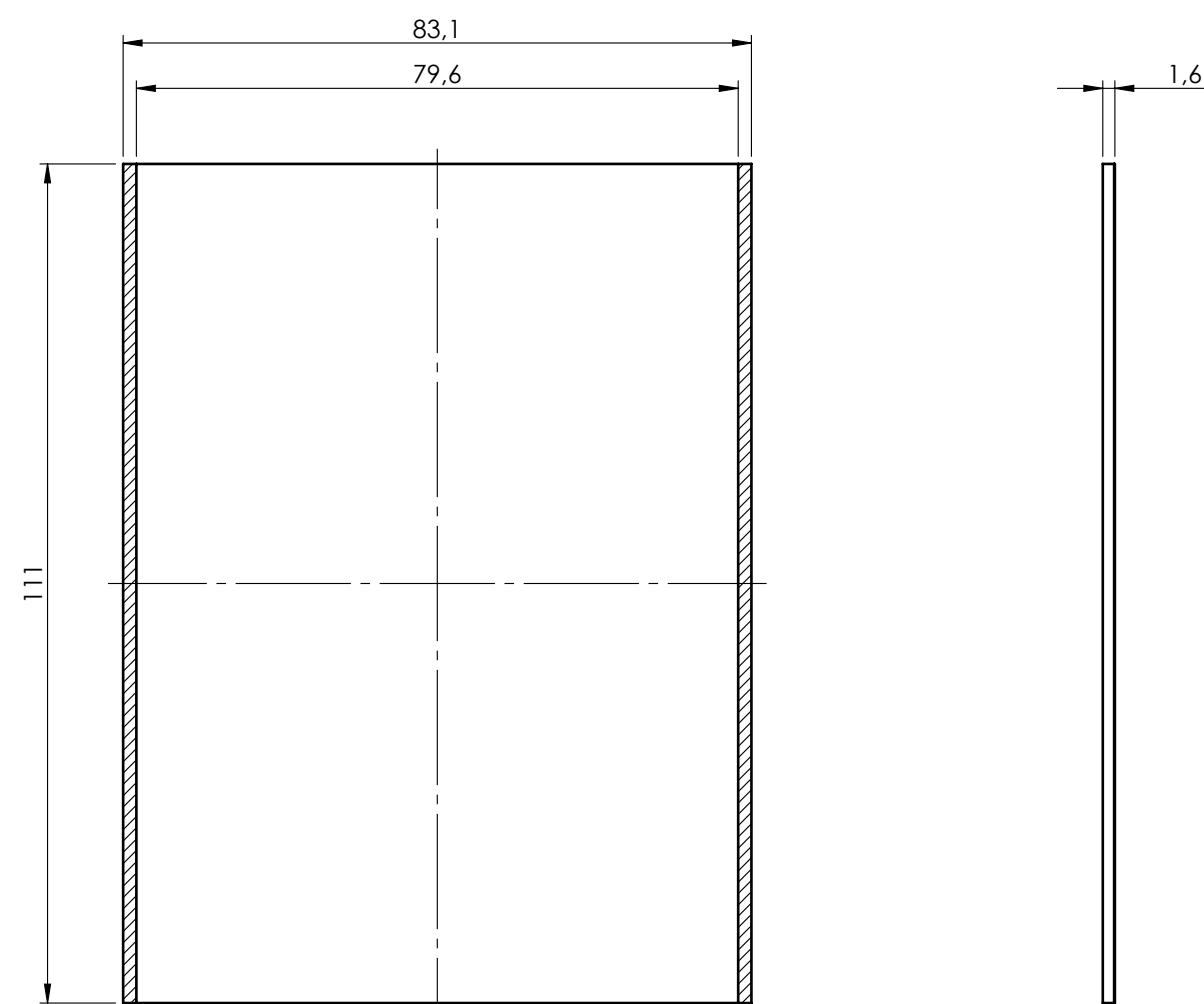


\*To use the PLUG-IN terminals in Modulbox ONE use plug-in adapter P05000003E (5/5.08 pitch) and P05000004E (7.5/7.62 pitch)

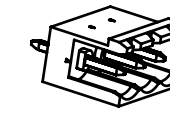
PCB O



PCB V



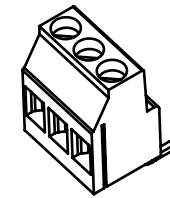
EUROCLAMP PVxx-5,08-V  
PHOENIX CONTACT MSTBVA 2,5 HC/ 3-G  
SAURO CIM0x0A5



Use terminal cover recommended  
P05040213T.BL

DETAIL C  
SCALE 2 : 1

EUROCLAMP MV25x-5,08-H  
PHOENIX CONTACT MKDSF 3/ 3  
SAURO MSM0x095



Use terminal cover recommended  
P05040210T.BL

General Tolerance UNI EN 22768/1 Media (m)					Sheet:
from 0.5 to 3 ± 0.1	from 3 to 6 ± 0.1	from 6 to 30 ± 0.2	from 30 to 120 ± 0.3	from 120 to 400 ± 0.5	PCB
Scale:	Drawn:	Checked:	Date:	Material:	Process:
1:1	M.S.	R.N.	05/07/2023	PC/ABS	
Derived from:				Weight:	Cod. Mold:
				83.58 gr	ST.3506100

**italtronic**  
enclosures for electronics  
italtronic.com

Description:  
DISTANZIALE MODULBOX XTS - 4M COMPACT  
SPACER MODULBOX XTS - 4M COMPACT

Drawing nr.:  
**2\_250\_00171**

Rev.:  
00 A2

NO COMPONENTS AREA