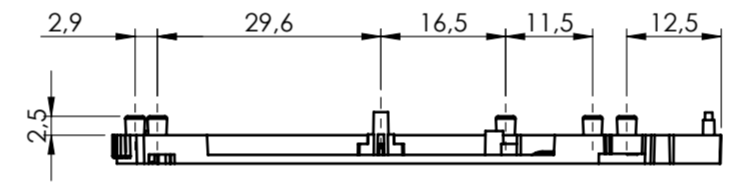
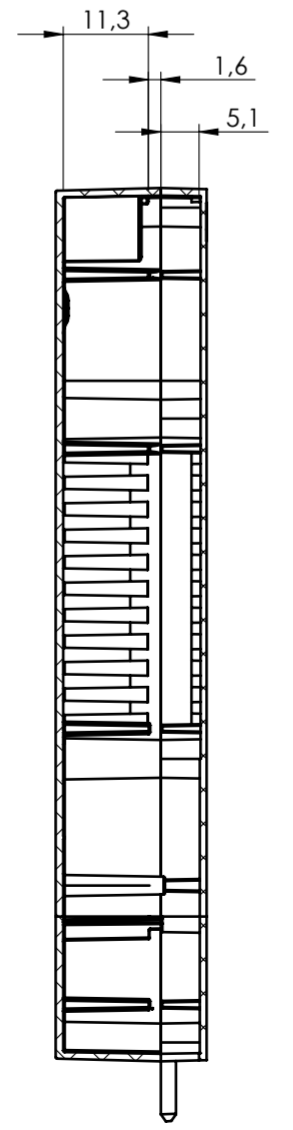
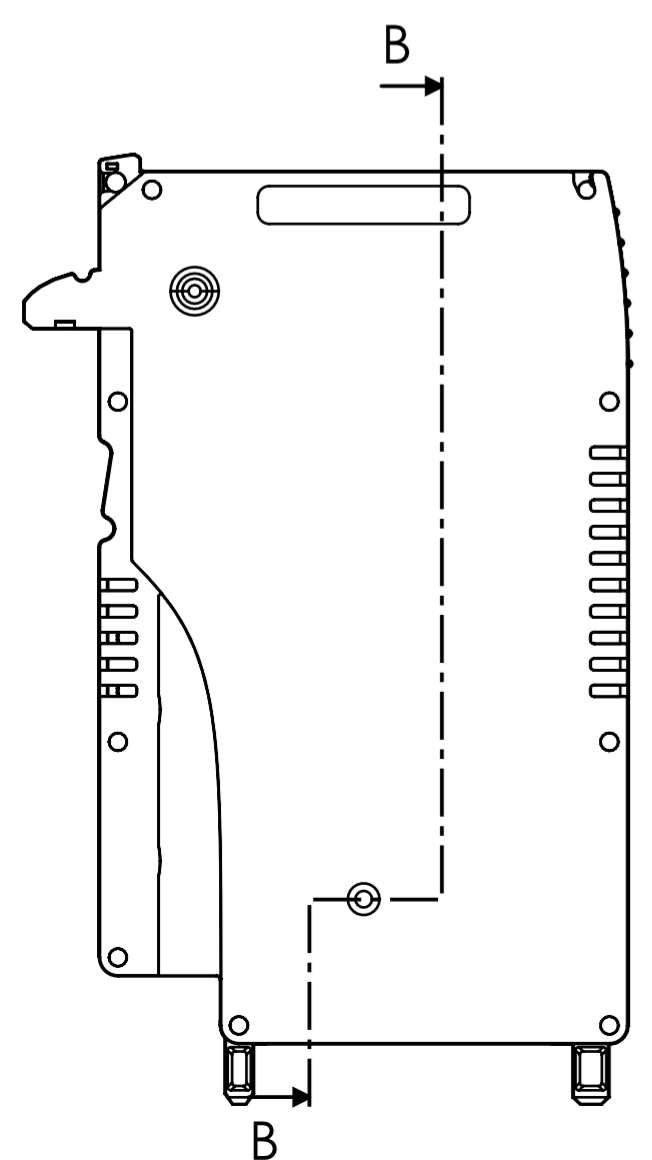


SECTION C-C

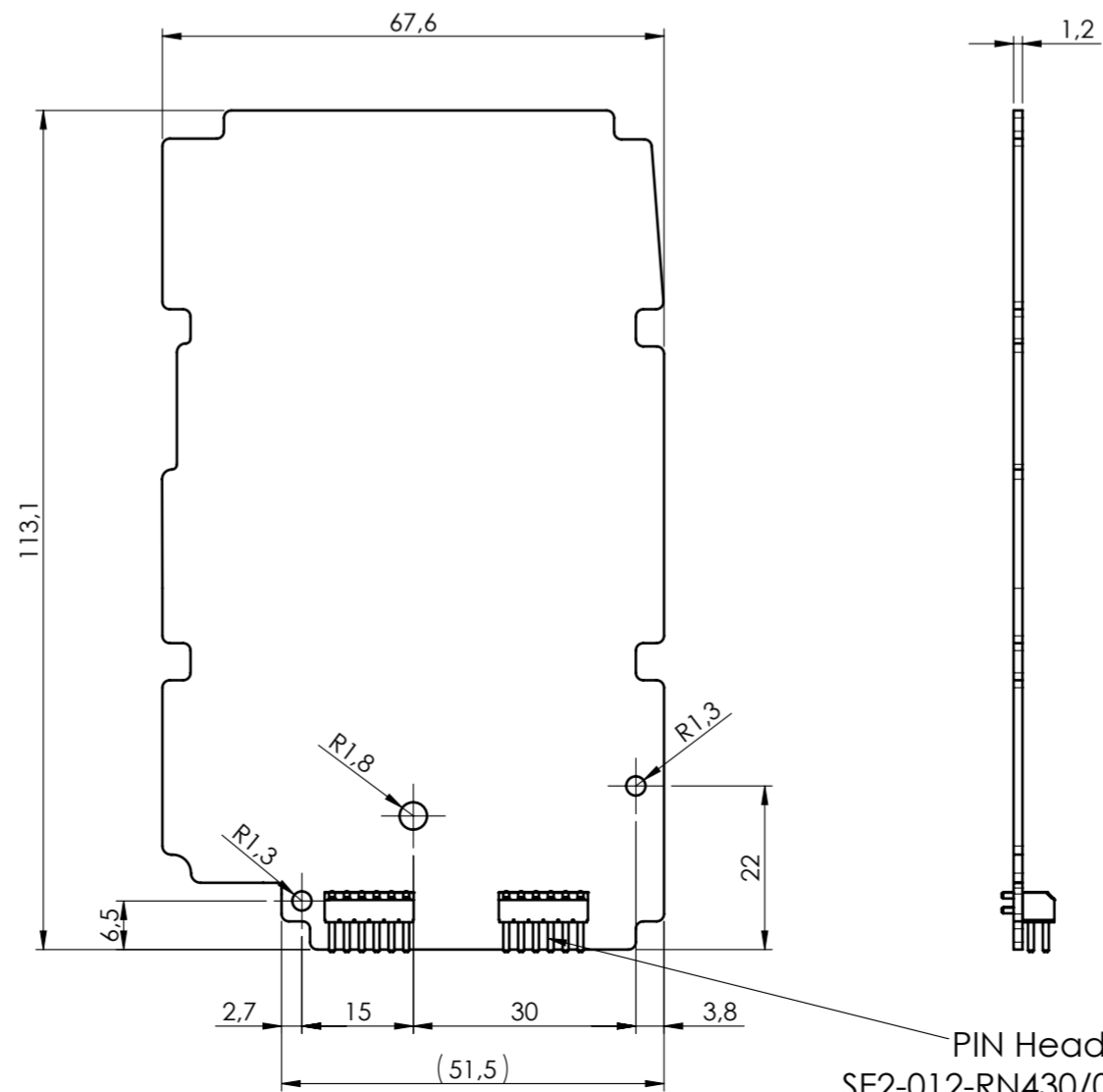


KIT ASSEMBLY

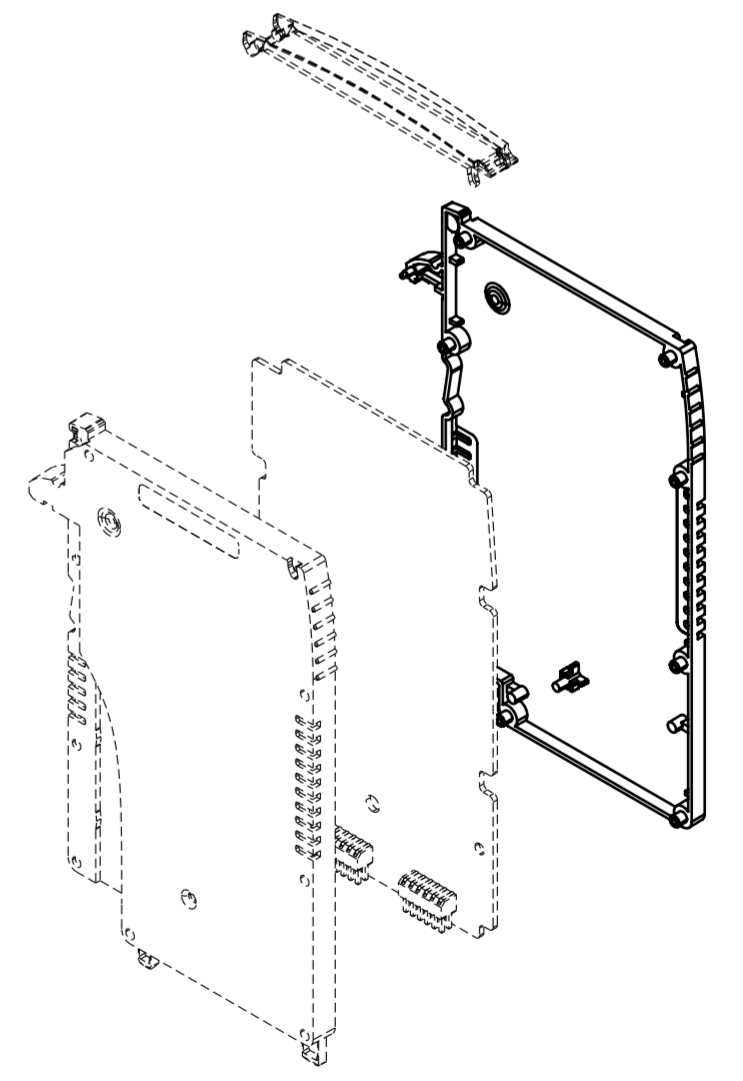


SECTION B-B

PCB



PIN Header
SE2-012-RN430/00-xx/2XX
www.e-tec.asia



General Tolerance UNI EN 22768/1 Media (m)					Sheet:
from 0.5 to 3 ± 0.1	from 3 to 6 ± 0.1	from 6 to 30 ± 0.2	from 30 to 120 ± 0.3	from 120 to 400 ± 0.5	1
Scale: IM:	Drawn: M.S.	Checked: R.N.	Date: 20/12/2023	Material: PA66	Process: INJECTION
1:1	--	--	--	Weight: 9.84 gr	Cod. Mold: ST.17011005
Dimension in mm		<small>The present drawing cannot be reproduced or communicated to parties, even partially, without the authorization of Italtronic. Italtronic reserves the right to modify the drawings according to the time.</small>		Replaces the: -- Derived from: -- Weight: 9.84 gr	
italtronic enclosures for electronics italtronic.com				Description: BASE LATUSBOX 9.8MM APERTO LATUSBOX BASE 9.8MM Drawing nr.: 2_260_00032	
					Rev.: 00 A2