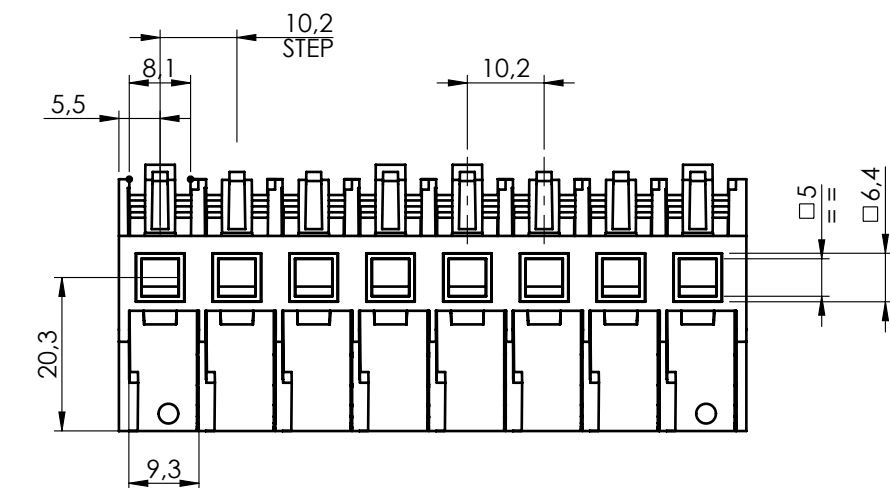
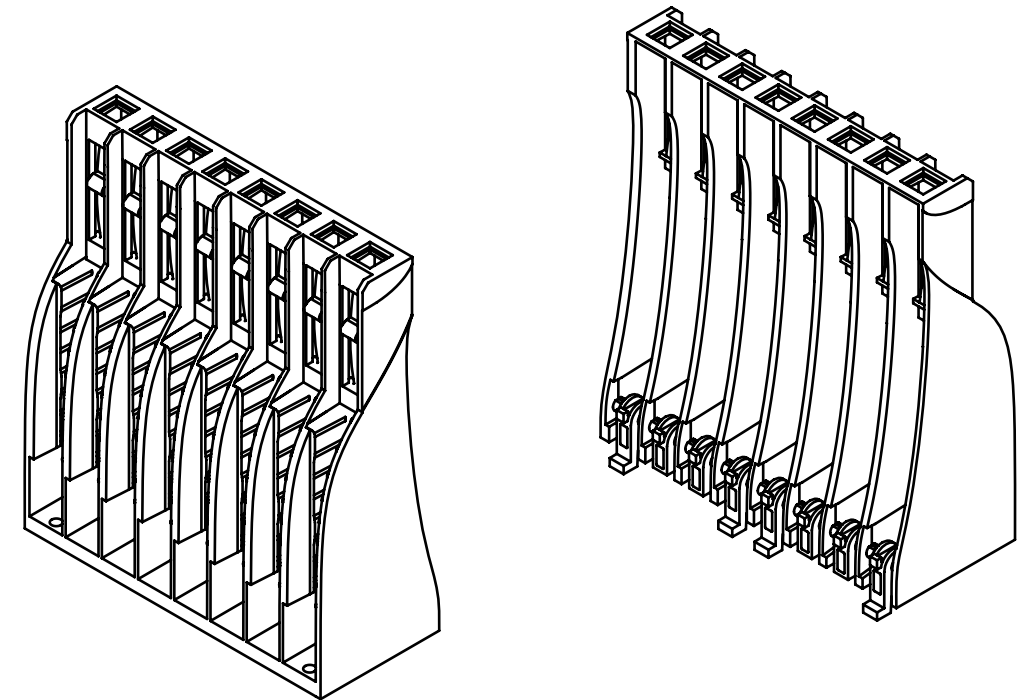
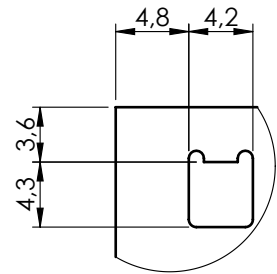


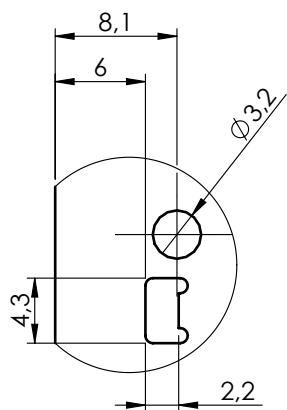
SECTION A-A



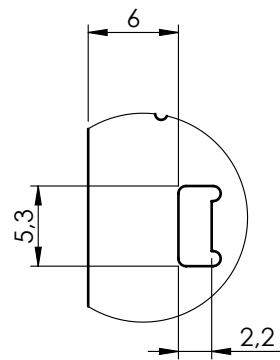
General Tolerance UNI EN 22768/1 Media (m)					Sheet:
from 0.5 to 3 ± 0.1	from 3 to 6 ± 0.1	from 6 to 30 ± 0.2	from 30 to 120 ± 0.3	from 120 to 400 ± 0.5	1
Scale: 1:1	IM: 00	Drawed: R.N.	Checked: R.N.	Date: 04/11/2020	Material: PA6+30GF
Dimension in mm		Replaces the: --	Derived from: --	Weight: 53.03 gr	Process: INJECTION
		<small>The present drawing cannot be reproduced or communicated to 3rd parties, even partially, without the authorization of ITALTRONIC S.p.A. Italtronic reserves to protect its own rights according to the law.</small>		Cod. Mold: ST.17001009	
italtronic enclosures for electronics italtronic.com					Description: SEDE PER CARTUCCE LATUSBOX 8 SLOT SEAT FOR LATUSBOX CARTRIDGES 8 SLOTS Drawing nr.: 2_260_00008 Rev.: 00 A3



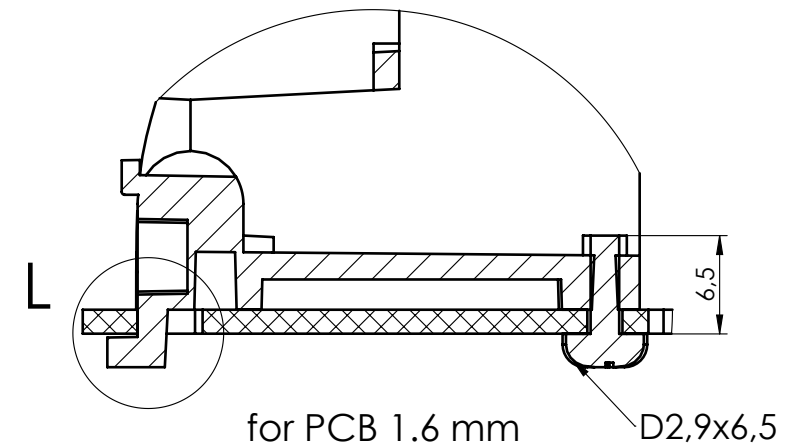
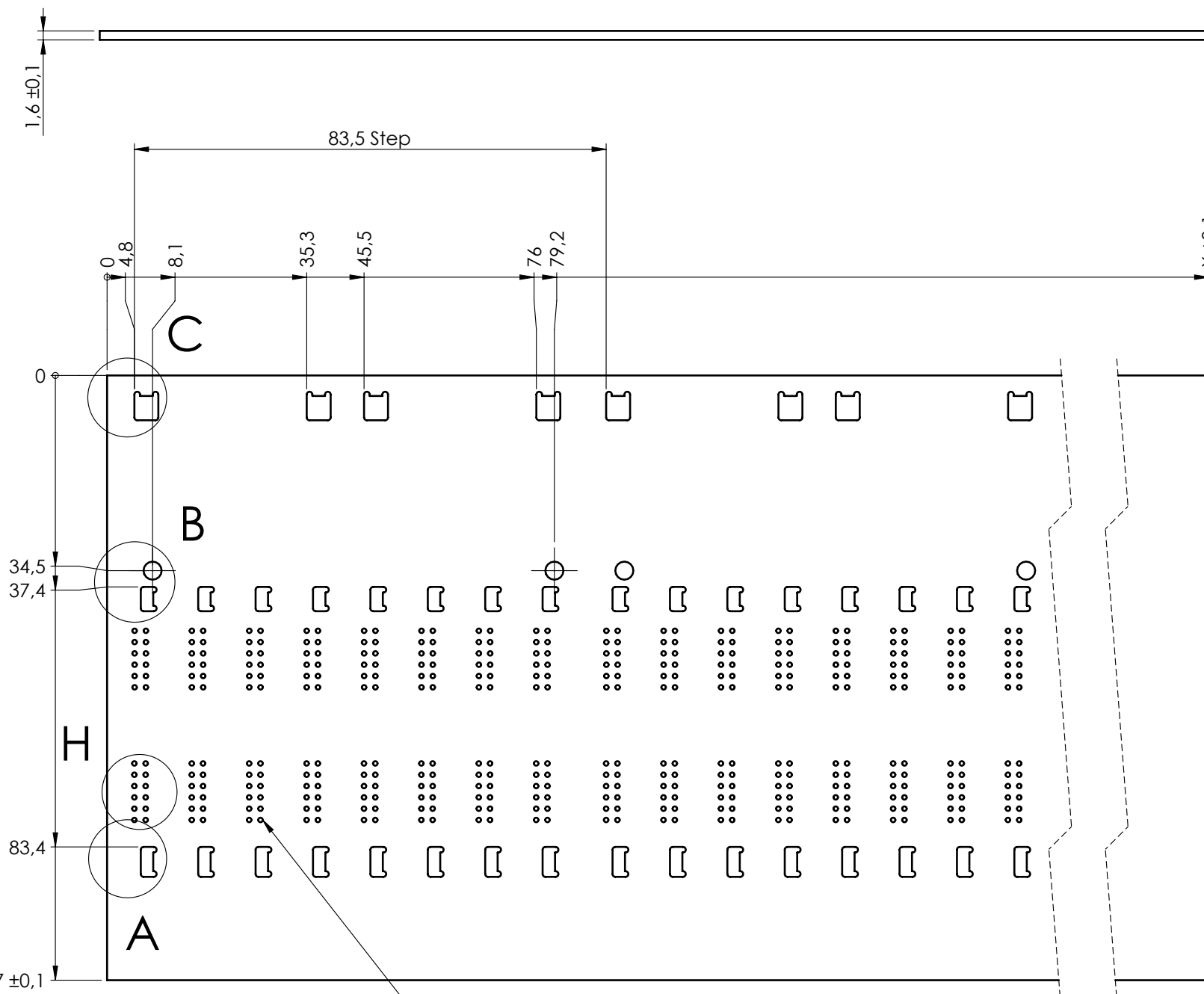
DETAIL C
SCALE 2 : 1



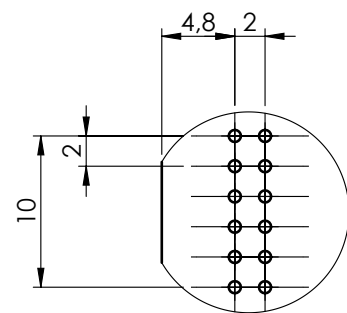
DETAIL B
SCALE 2 : 1



DETAIL A
SCALE 2 : 1




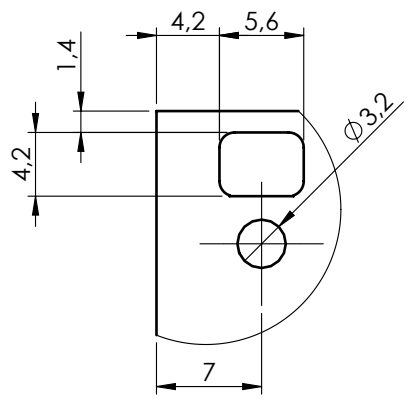
DETAIL L
SCALE 4 : 1



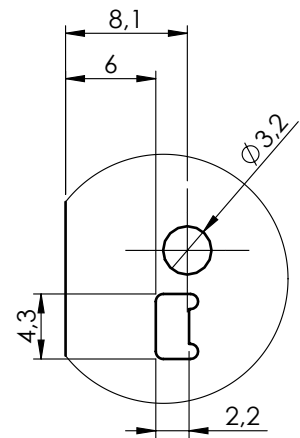
DETAIL H
SCALE 2 : 1

THT Female Header
BL2-012-SN43G-55/2X
www.e-tec.asia

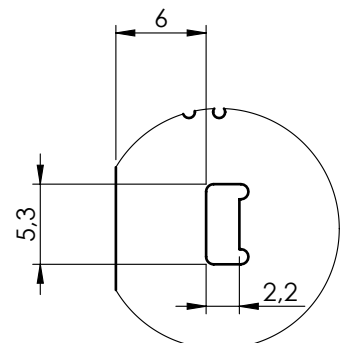
General Tolerance UNI EN 22768/1 Media (m)						Sheet:
from 0.5 to 3 ± 0.1	from 3 to 6 ± 0.1	from 6 to 30 ± 0.2	from 30 to 120 ± 0.3	from 120 to 400 ± 0.5		PCB 1.6 mm
Scale: 1:1	IM: 00	Drawed: R.N.	Checked: R.N.	Date: 04/11/2020	Material: PA6+30GF	Process: INJECTION
Dimension in mm		Replaces the: --		Derived from: --	Weight: 53.03 gr	Cod. Mold: ST.17001009
 enclosures for electronics italtronic.com						Description: SEDE PER CARTUCCE LATUSBOX 8 SLOT SEAT FOR LATUSBOX CARTRIDGES 8 SLOTS Drawing nr.: 2_260_00008
					Rev.:	00 A3



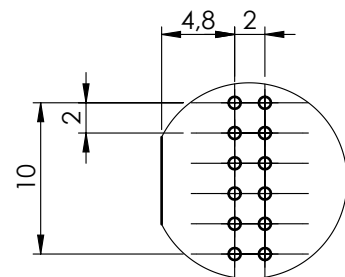
DETAIL I
SCALE 2 : 1



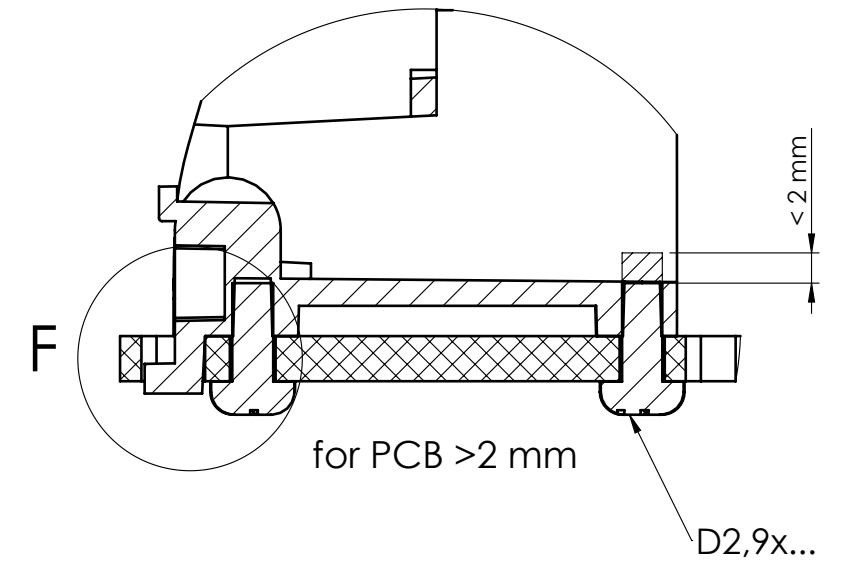
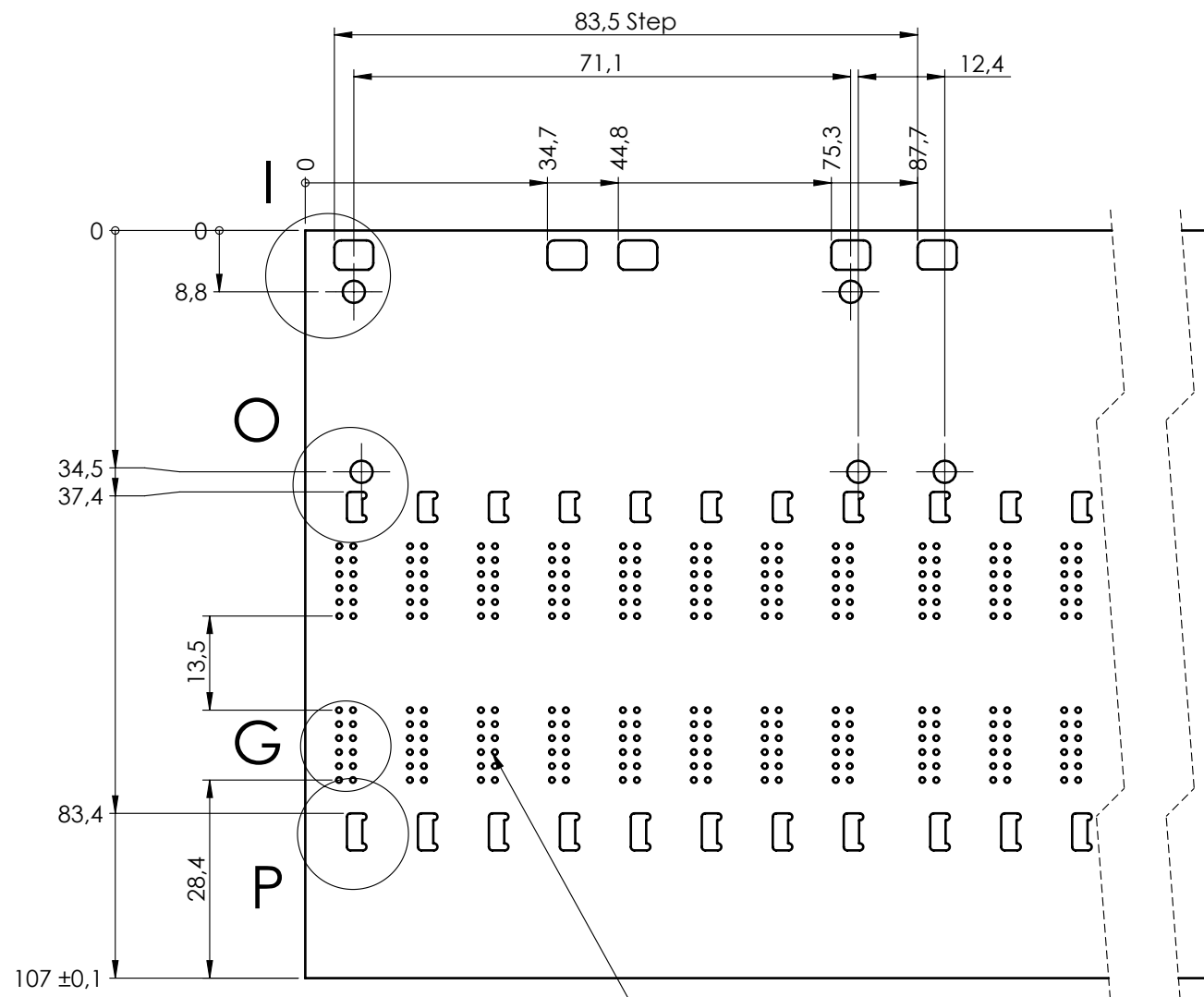
DETAIL O
SCALE 2 : 1



DETAIL P
SCALE 2 : 1



DETAIL G
SCALE 2 : 1



DETAIL F
SCALE 4 : 1

THT Female Header
BL2-012-SN43G-55/2X
www.e-tec.asia

General Tolerance UNI EN 22768/1 Media (m)					Sheet:
from 0.5 to 3 ± 0.1	from 3 to 6 ± 0.1	from 6 to 30 ± 0.2	from 30 to 120 ± 0.3	from 120 to 400 ± 0.5	PCB > 2.0 mm
Scale: 1:1	IM: 00	Drawed: R.N.	Checked: R.N.	Date: 04/11/2020	Material: PA6+30GF
Dimension in mm		Replaces the: --		Derived from: --	Weight: 53.03 gr
		<small>The present drawing cannot be reproduced or communicated to 3rd parties, even partially, without the authorization of ITALTRONIC S.p.A. Italtronic reserves to protect its own rights according to the law.</small>		Cod. Mold: ST.17001009	
 enclosures for electronics italtronic.com					Description: SEDE PER CARTUCCE LATUSBOX 8 SLOT SEAT FOR LATUSBOX CARTRIDGES 8 SLOTS Drawing nr.: 2_260_00008
				Rev.: 00	A3