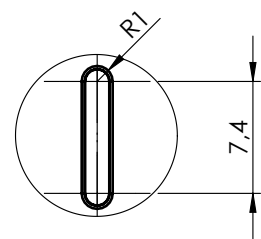
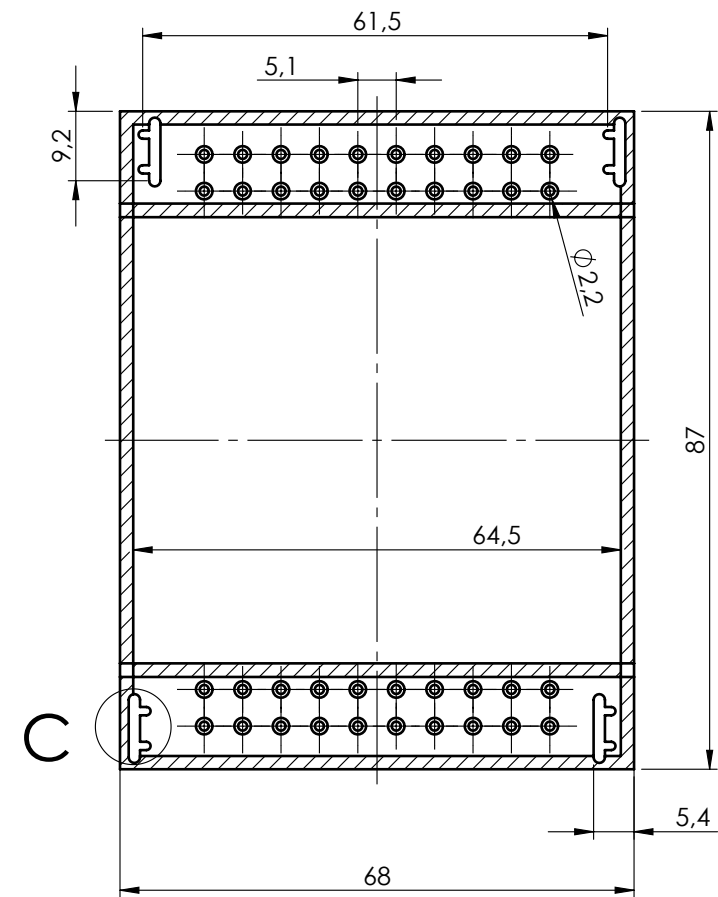
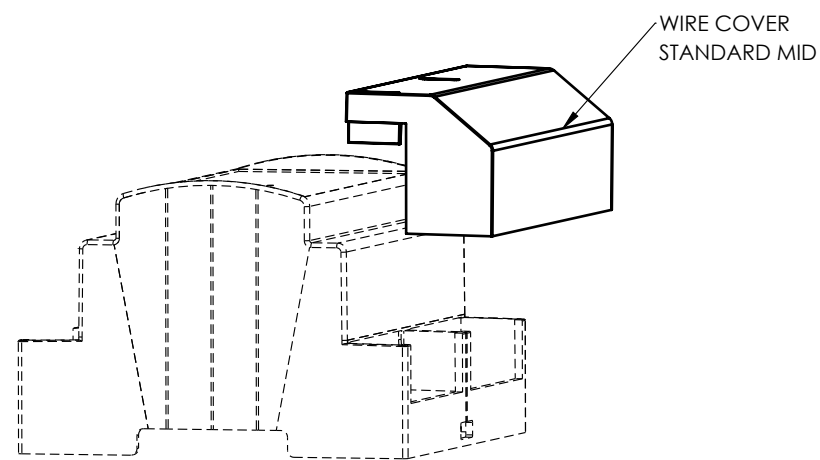


DETAIL B  
SCALE 5 : 1

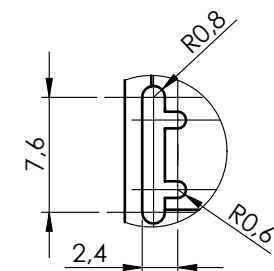


DETAIL A  
SCALE 2 : 1




WIRE COVER  
STANDARD MID

PLASTIC ACCESSORY FOR  
SEALING IN ACCORDING  
MID STANDARD



DETAIL C  
SCALE 2 : 1

General Tolerance UNI EN 22768/1 Media (m)					Sheet:
from 0.5 to 3 $\pm 0.1$	from 3 to 6 $\pm 0.1$	from 6 to 30 $\pm 0.2$	from 30 to 120 $\pm 0.3$	from 120 to 400 $\pm 0.5$	1
Scale: 1:1	Drawn:	Checked: R.N.	Date: 19/06/2023	Material: PC	Process: INJECTION
Dimension in mm	The present drawing cannot be reproduced or communicated to 3rd parties, even partially, without the authorization of ITALTRONIC S.p.A. Italtronic reserves to protect its own rights according to the law.			Weight: 10.66 gr	Cod. Mold: ST.0508120
 <b>italtronic</b> enclosures for electronics italtronic.com		Description: COPRIFIL0 4M A NORMA MID 4M WIRE COVER STANDARD MID Drawing nr.: <b>2_250_03807</b>			Rev.: 00 A3