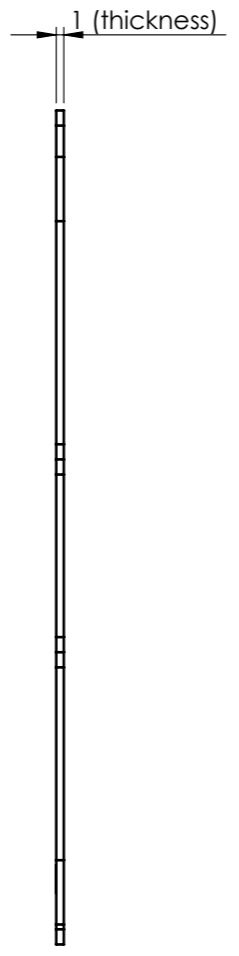
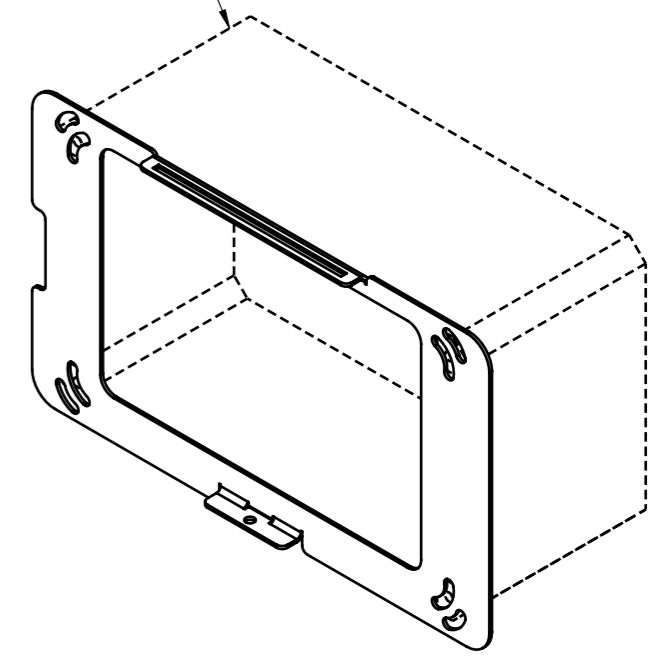


DETAIL B
SCALE 2 : 1

SECTION A-A



Recommended wall box:
 - BTICINO 16204
 - VIMAR V70004
 - GEWISS GW48004



General Tolerance UNI EN 22768/1 Media (m)					Sheet:
from 0.5 to 3 ± 0.1	from 3 to 6 ± 0.1	from 6 to 30 ± 0.2	from 30 to 120 ± 0.3	from 120 to 400 ± 0.5	1
Scale: 1:1	IM:	Drawn:	Checked: R.N.	Date:	Material: Steel
Dimension in mm		Replaces the:		Derived from:	Weight: 59.40 gr
 italtronic enclosures for electronics italtronic.com		Description: PIASTRA MURO-PARETE PER COVER DISPLAY 2 RASPBERRY 7" ORIZZONTALE WALL-TO-WALL PLATE FOR 2 RASPBERRY DISPLAY COVER 7" HORIZONTAL			Cod. Mold:
Drawing nr.: 2_050_00077				Rev.:	A3