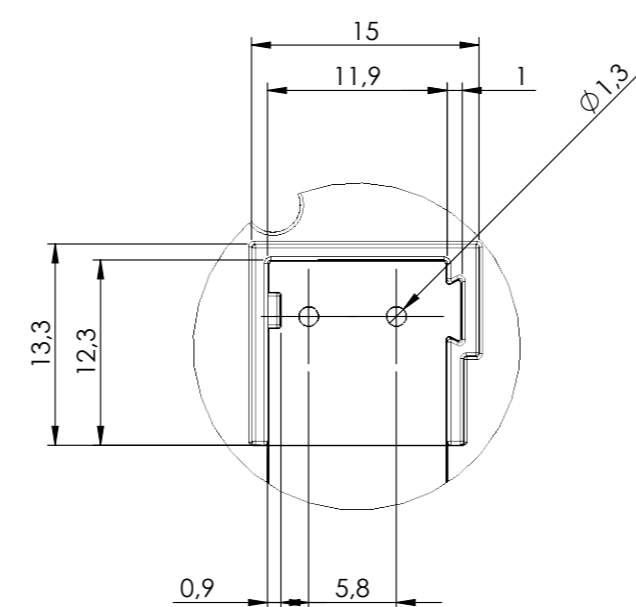
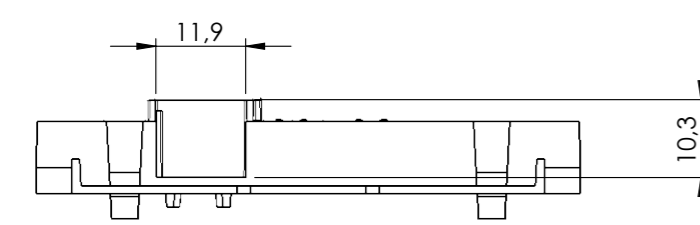
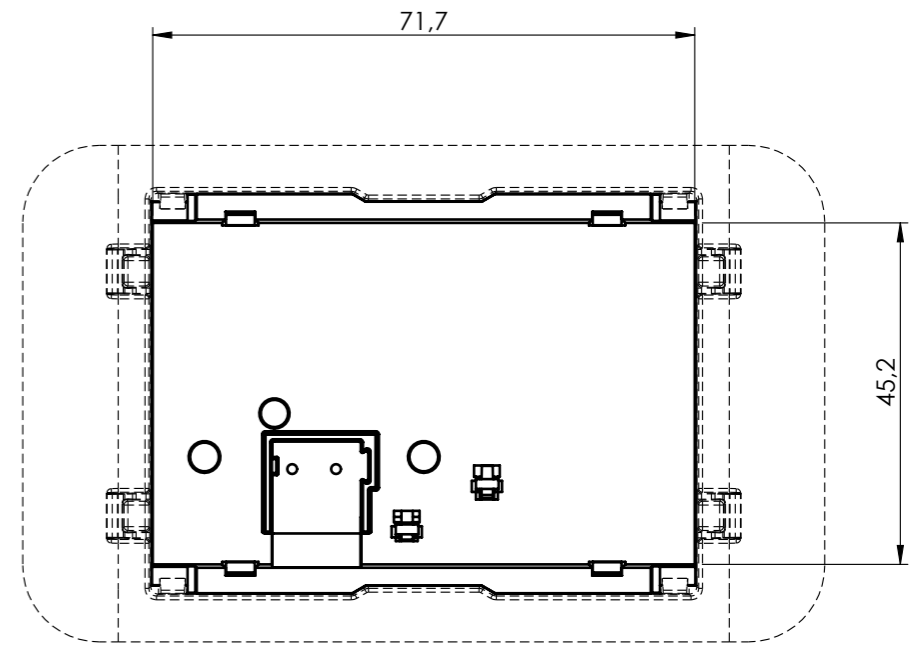
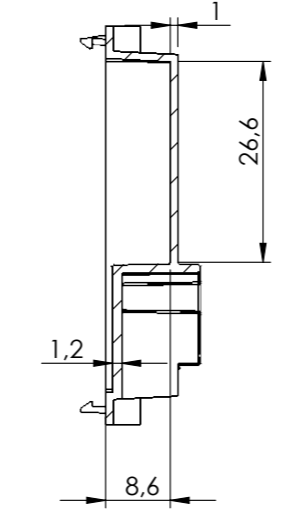
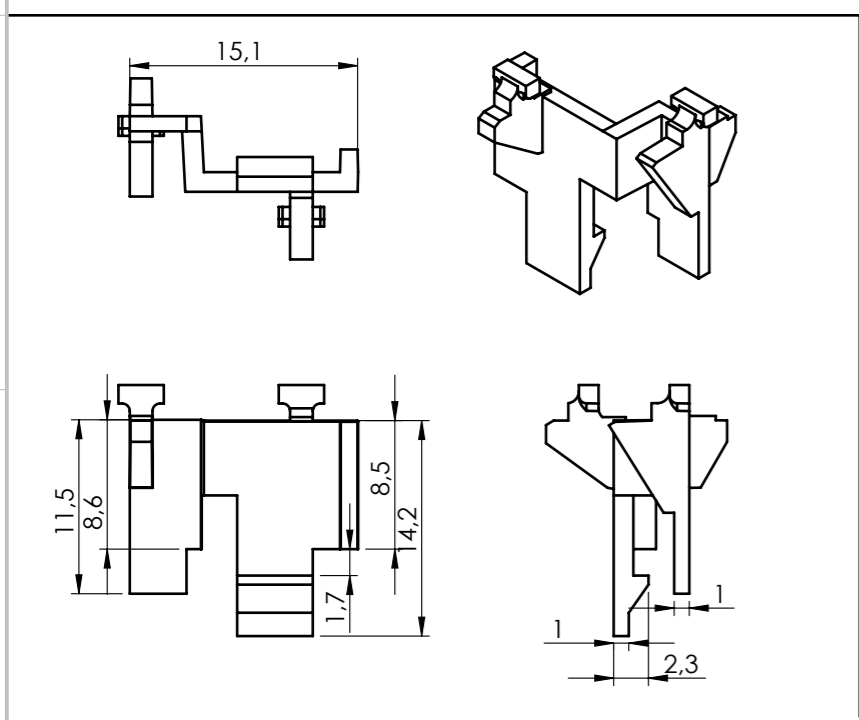
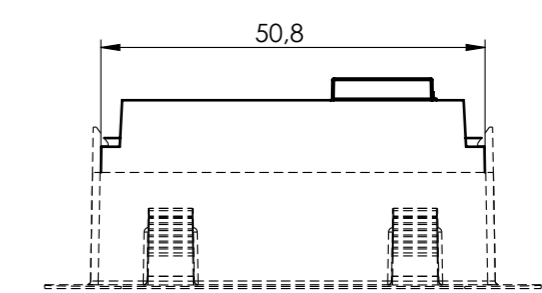
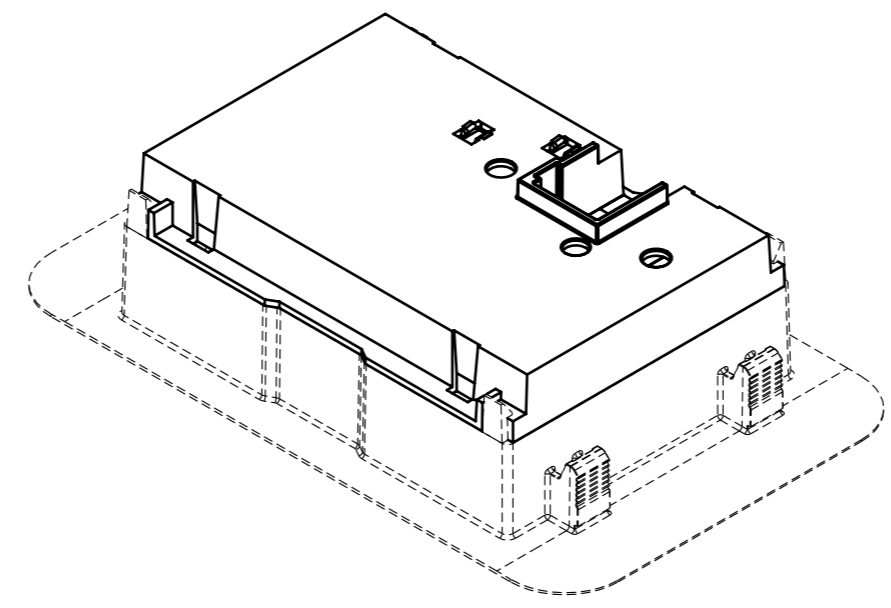
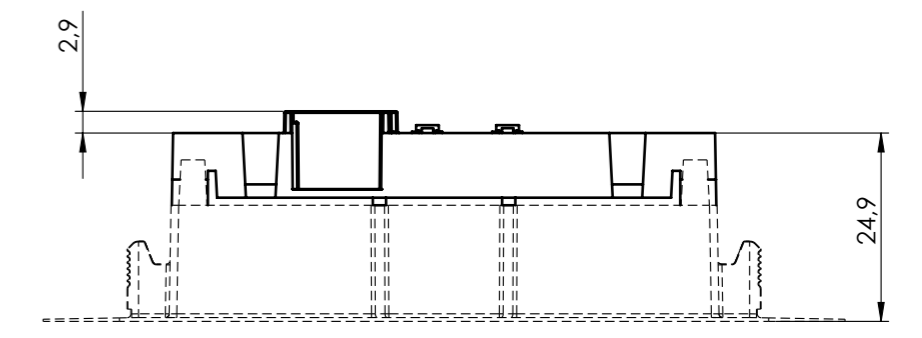


SECTION A-A



DETAIL B



General Tolerance UNI EN 22768/1 Media (m)					Sheet:
from 0.5 to 3 ± 0.1	from 3 to 6 ± 0.1	from 6 to 30 ± 0.2	from 30 to 120 ± 0.3	from 120 to 400 ± 0.5	1
Scale: 1:1	Drawn: R.N.	Checked: R.N.	Date: 01/03/2023	Material: ABS	Process: INJECTION
Dimension in mm		Derived from: --	Weight: 7.39 gr		Cod. Mold: ST.1400060
 enclosures for electronics italtronic.com		Description: CHIUSURA POSTERIORE CON AGGANCI 503 KNX REAR CLOSURE WITH HOOKS 503 KNX			Rev.: 00
Drawing nr.: 2_020_00009					A3