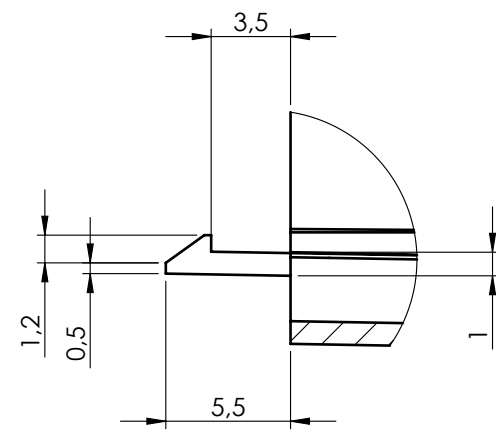
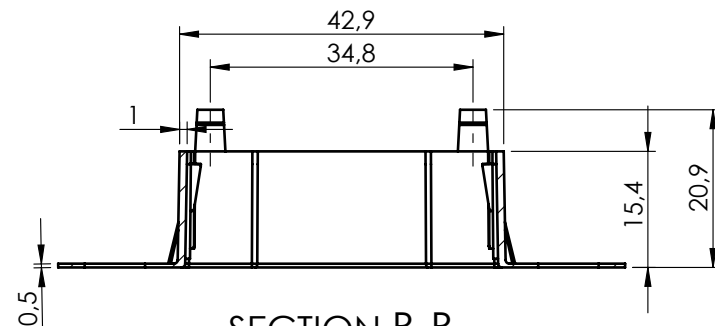


SECTION A-A

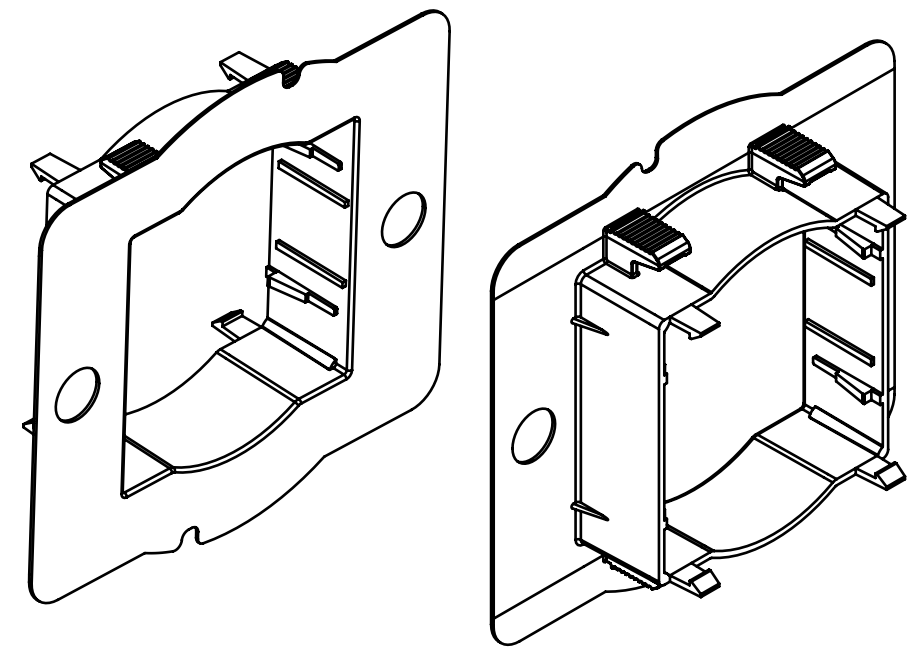
Dimension of PCB:  
 PCB 1: 41 × 41 ± 0.1 SP 1.6 mm  
 PCB 2: 40 × 40 ± 0.1 SP 1.6 mm



DETAIL C  
 SCALE 3 : 1



SECTION B-B



General Tolerance UNI EN 22768/1 Media (m)					Sheet:
from 0.5 to 3 ± 0.1	from 3 to 6 ± 0.1	from 6 to 30 ± 0.2	from 30 to 120 ± 0.3	from 120 to 400 ± 0.5	1
Scale: 1:1	Drawn: R.N.	Checked: R.N.	Date: 01/03/2023	Material: ABS	Process: INJECTION
Derived from: --				Weight: 5.79 gr	Cod. Mold: ST.1400010
Dimension in mm		<small>The present drawing cannot be reproduced or communicated to 3rd parties, even partially, without the authorization of ITALTRONIC S.p.A. Italtronic reserves to protect its own rights according to the law.</small>		Description: CORPO ENCLOSURE D60 H20 BODY ENCLOSURE D60 H20	
<b>italtronic</b> enclosures for electronics italtronic.com		Drawing nr.: <b>2_020_00002</b>		Rev.: 00 A3	