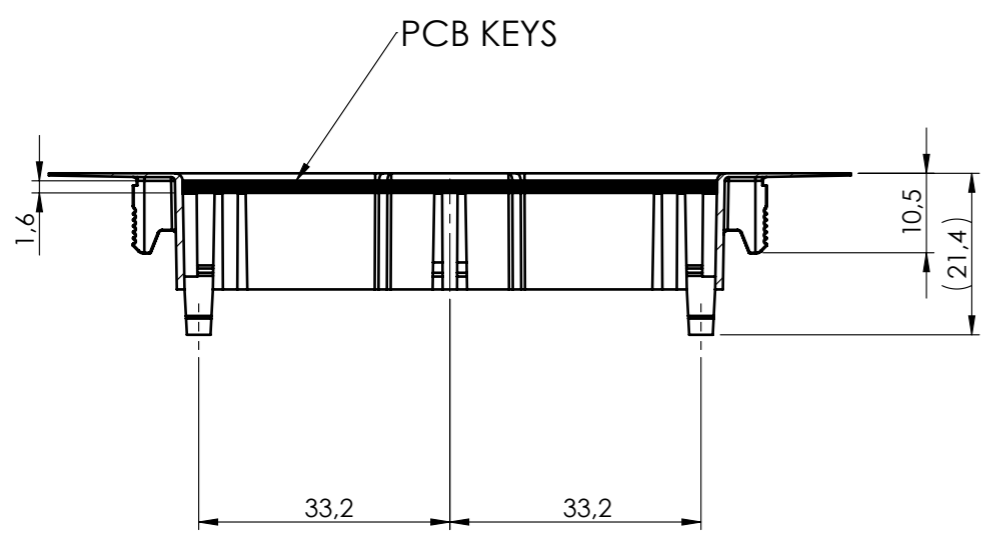
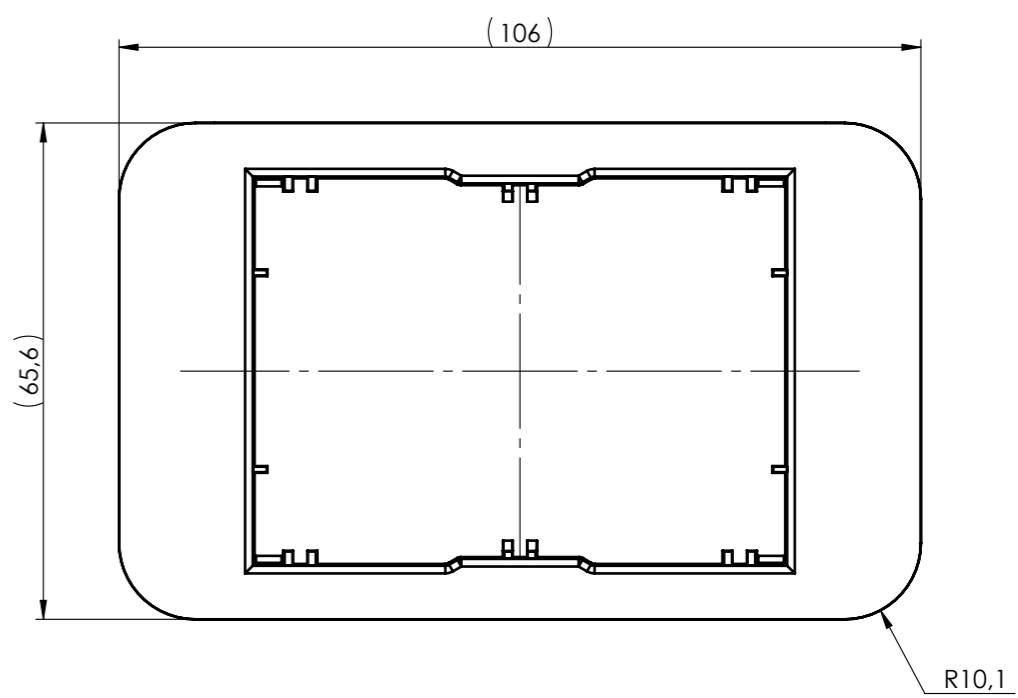
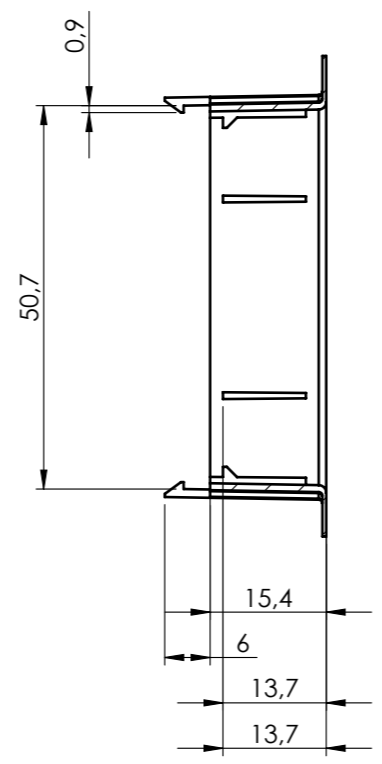
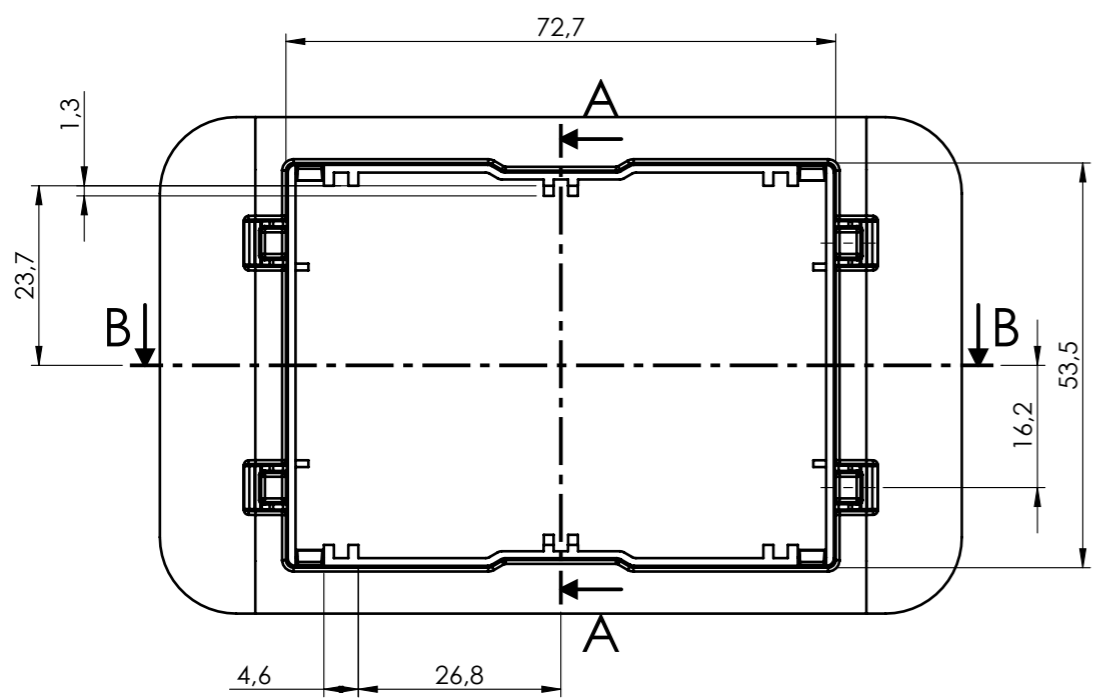
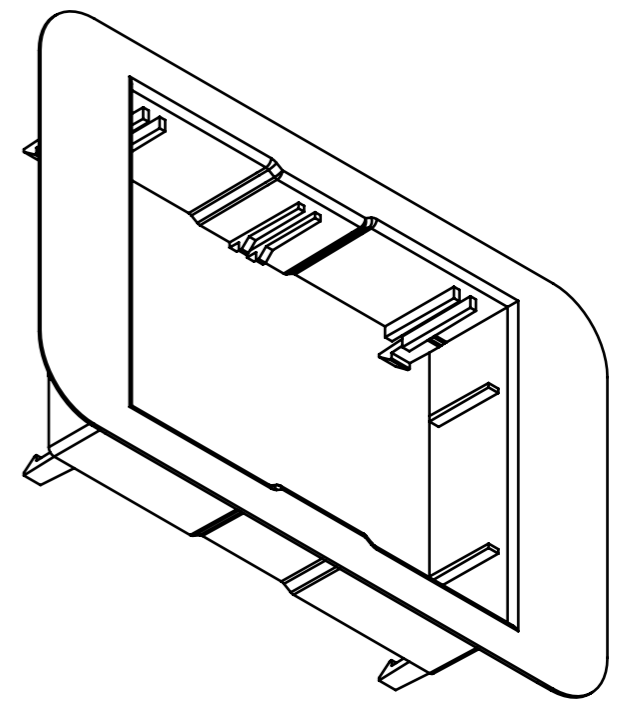
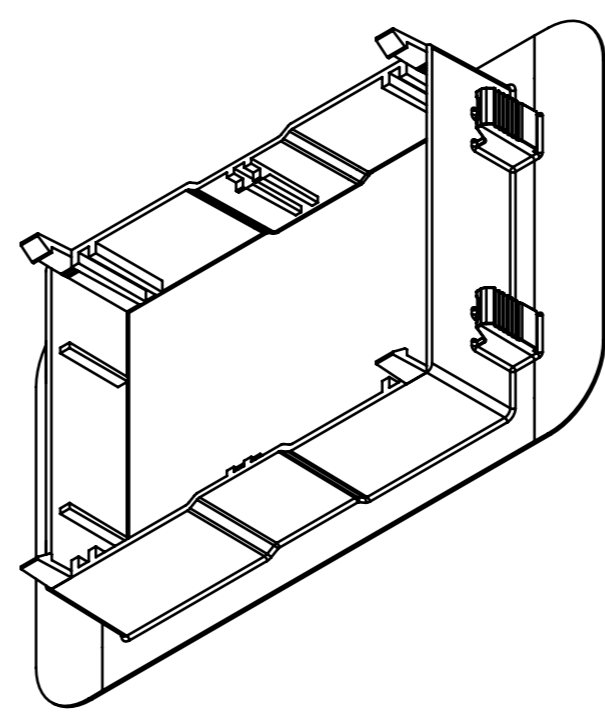


SECTION A-A



SECTION B-B

DIMENSION OF PCB:  
PCB KEYS: 49.5 × 69 ± 0.1



General Tolerance UNI EN 22768/1 Media (m)					Sheet:
from 0.5 to 3 ± 0.1	from 3 to 6 ± 0.1	from 6 to 30 ± 0.2	from 30 to 120 ± 0.3	from 120 to 400 ± 0.5	1
Scale: 1:1	Drawed: R.N.	Checked: R.N.	Date: 01/03/2023	Material: ABS	Process: INJECTION
Dimension in mm	The present drawing cannot be reproduced or communicated to 3rd parties, even partially, without the authorization of ITALTRONIC S.p.A. Italtronic reserves to protect its own rights according to the law.			Weight: 7.57 gr	Cod. Mold: ST.1400060
<b>italtronic</b> enclosures for electronics italtronic.com		Description: CORPO CONTENITORE PER 503 H20/KNX ENCLOSURE FOR 503 H20/KNX Drawing nr.: <b>2_020_00008</b>		Rev.:	A3
				00	