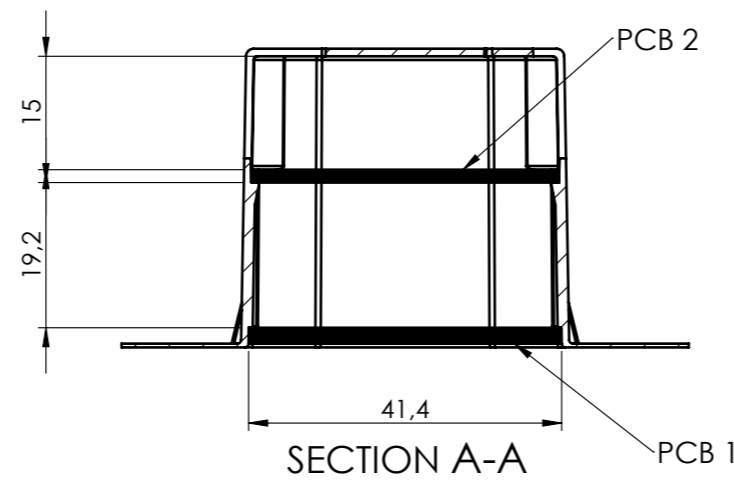
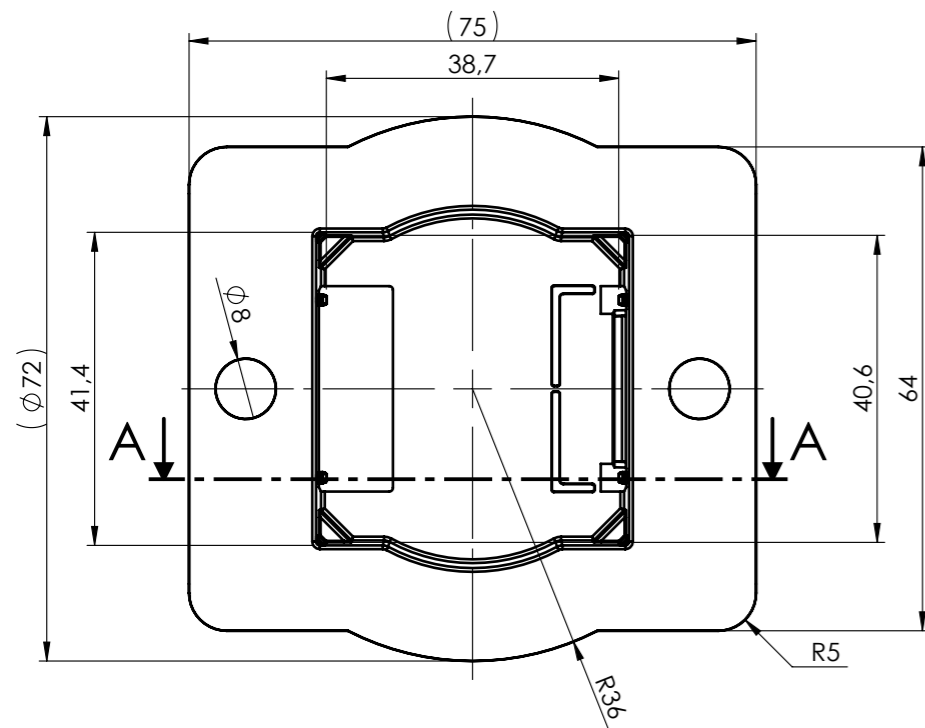
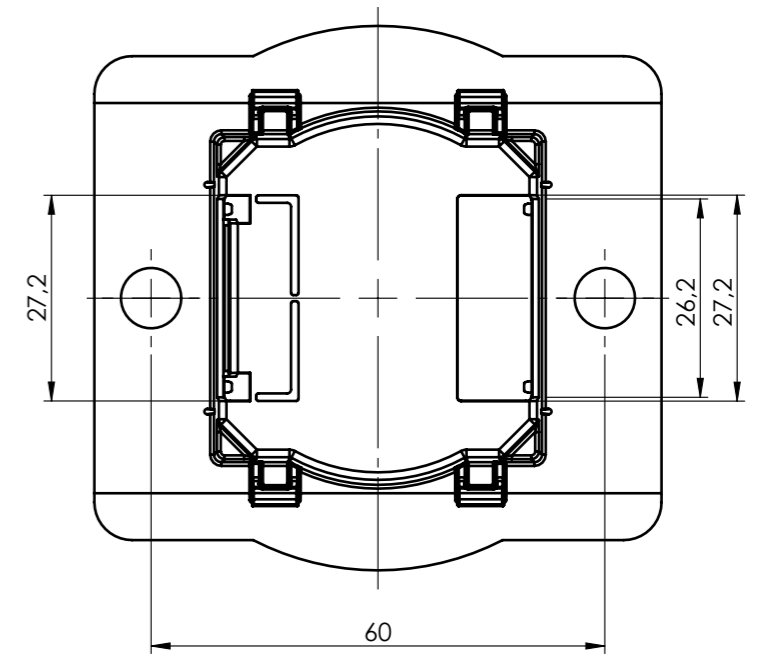
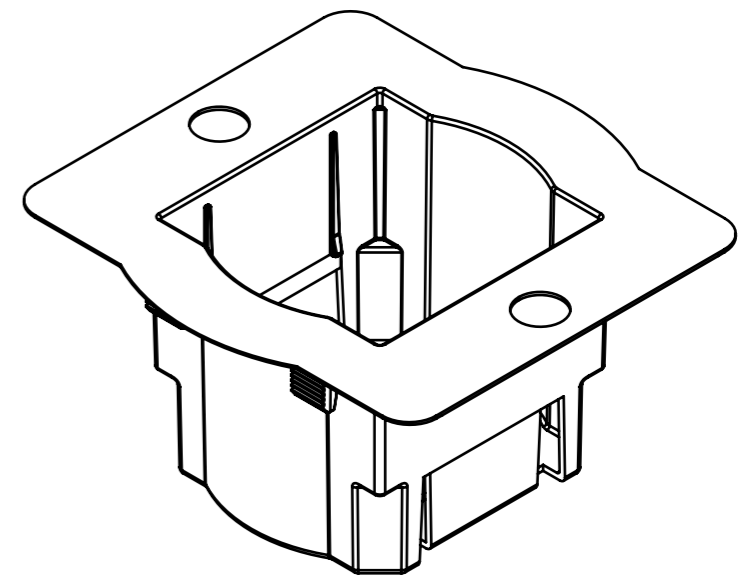



DETAIL C
SCALE 3 : 1



Dimension of PCB:
 PCB 1: 49.5 × 69 ± 0.1 SP 1.6 mm
 PCB 2: 47.3 × 69.5 ± 0.1 SP 1.6 mm



General Tolerance UNI EN 22768/1 Media (m)					Sheet:
from 0.5 to 3 ± 0.1	from 3 to 6 ± 0.1	from 6 to 30 ± 0.2	from 30 to 120 ± 0.3	from 120 to 400 ± 0.5	1
Scale: 1:1	Drawn: R.N.	Checked: R.N.	Date: 01/03/2023	Material: ABS	Process:
Dimension in mm			Derived from: --	Weight: 11.30 gr	Cod. Mold: ST.1400001
 enclosures for electronics italtronic.com		Description: CORPO CONTENITORE D60 H30 HOUSING BODY D60 H30			Rev.: 00 A3
Drawing nr.: 2_020_00011					