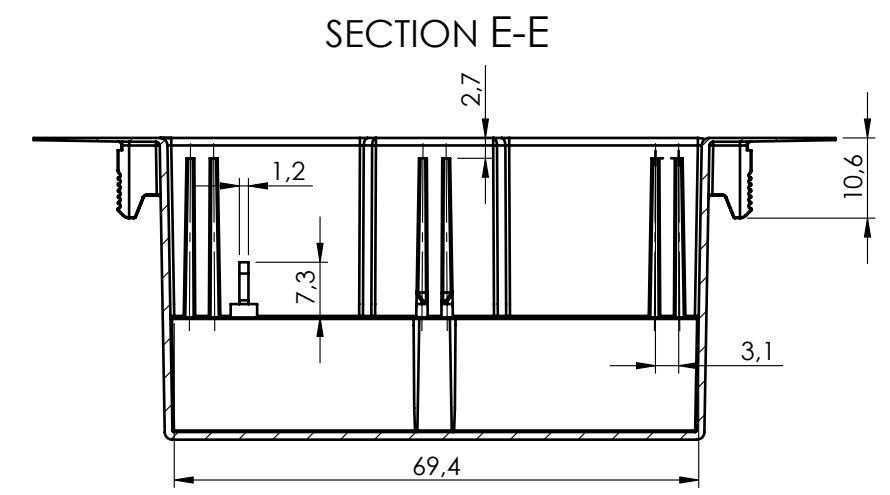
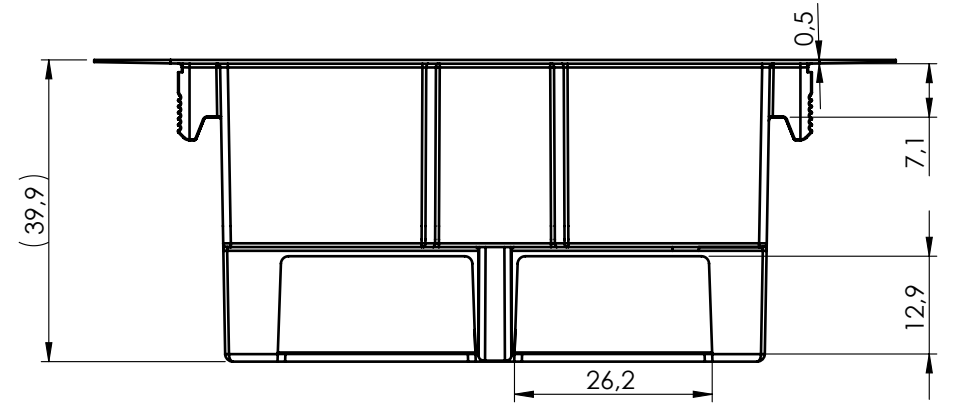
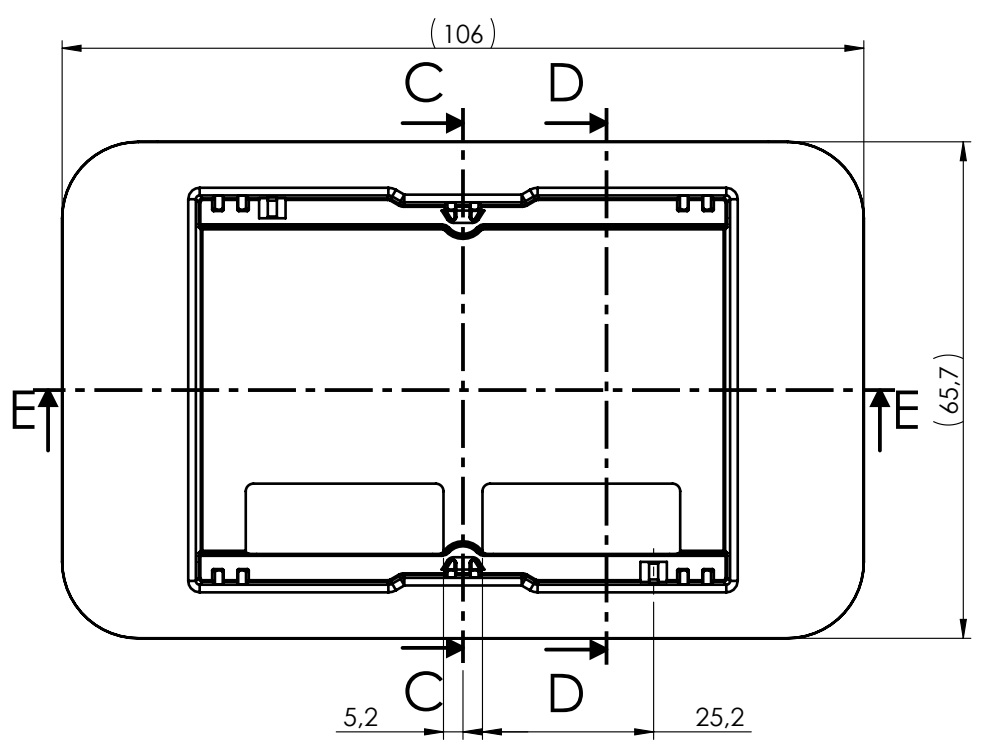
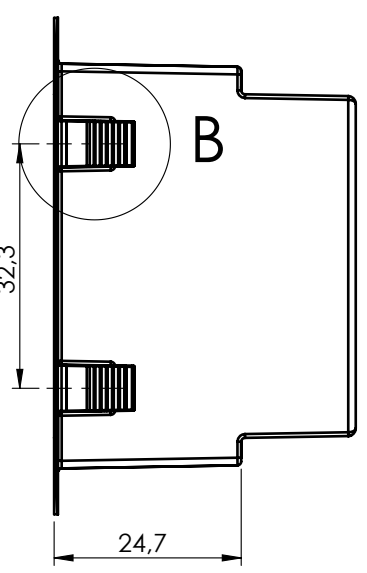


DETAIL B  
SCALE 2 : 1

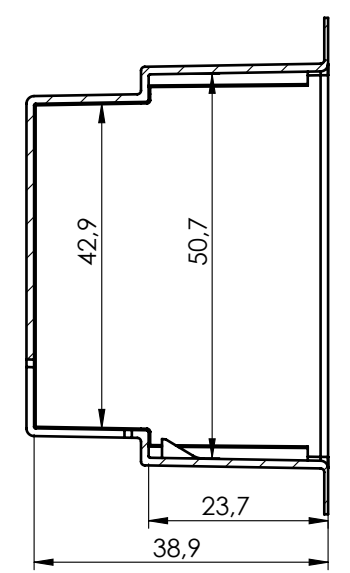
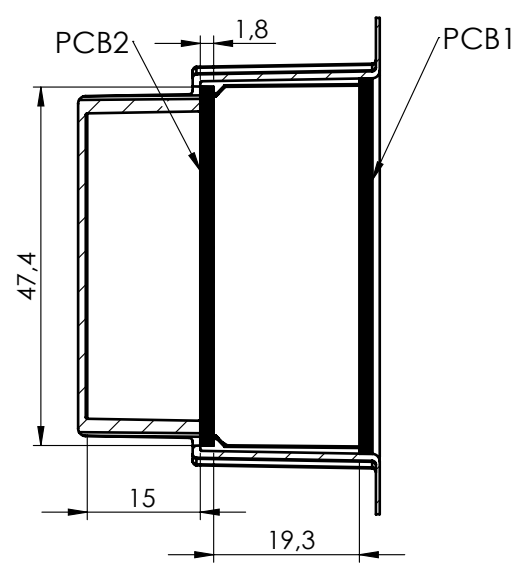


SECTION E-E

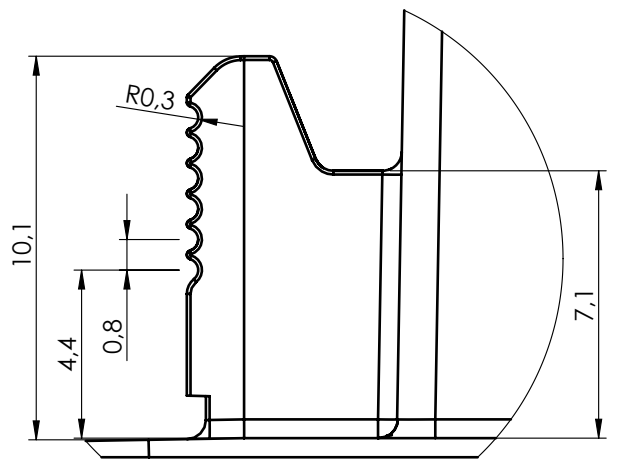
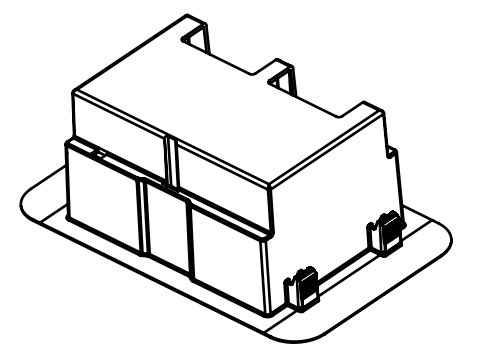


SECTION C-C

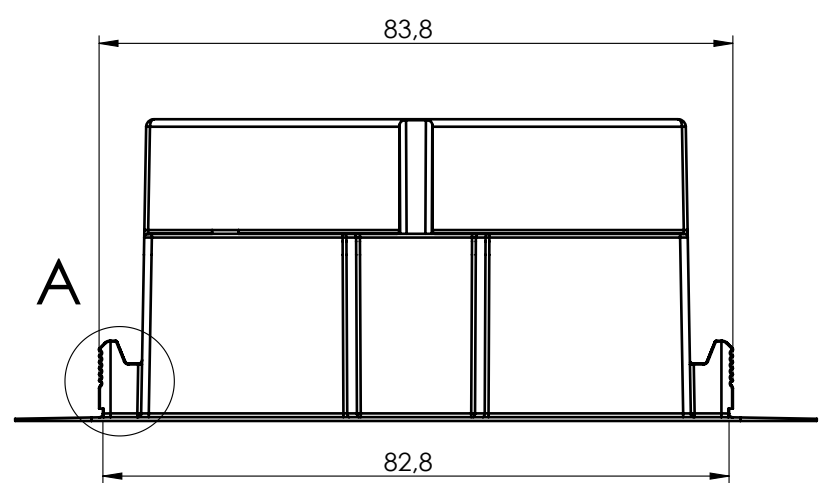
SECTION D-D




Dimension of PCB:  
PCB 1: 49.5 × 69 ± 0.1 SP 1.6 mm  
PCB 2: 47.3 × 69.5 ± 0.1 SP 1.6 mm



DETAIL A  
SCALE 5 : 1



General Tolerance UNI EN 22768/1 Media (m)					Sheet:
from 0.5 to 3 ± 0.1	from 3 to 6 ± 0.1	from 6 to 30 ± 0.2	from 30 to 120 ± 0.3	from 120 to 400 ± 0.5	1
Scale: 1:1	Drawn: R.N.	Checked: R.N.	Date: 01/03/2023	Material: ABS	Process: INJECTION
Dimension in mm				Weight: 17.40 gr	Cod. Mold: ST.1400050
 enclosures for electronics italtronic.com					Description: CORPO CONTENITORE 503 H30 HOUSING BODY 503 H30 Drawing nr.: <b>2_020_00012</b>
				Rev.:	00 A3