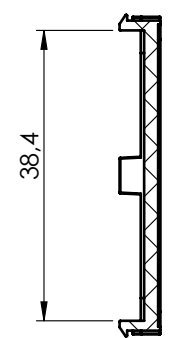
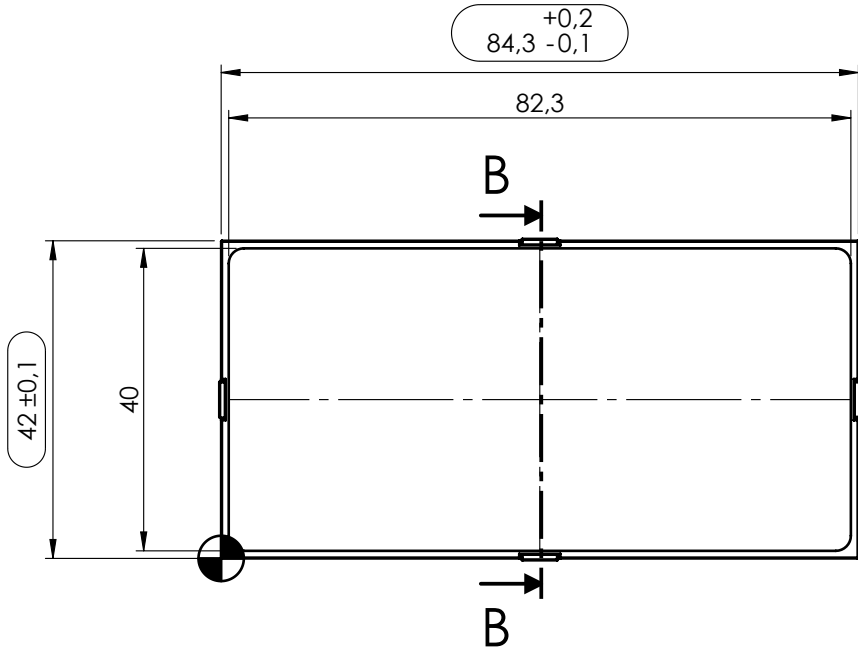
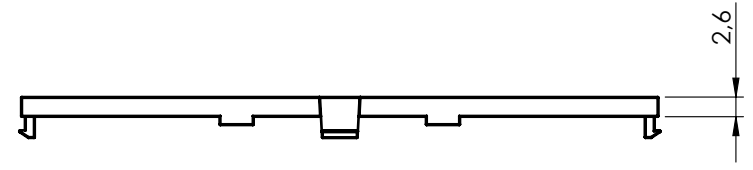
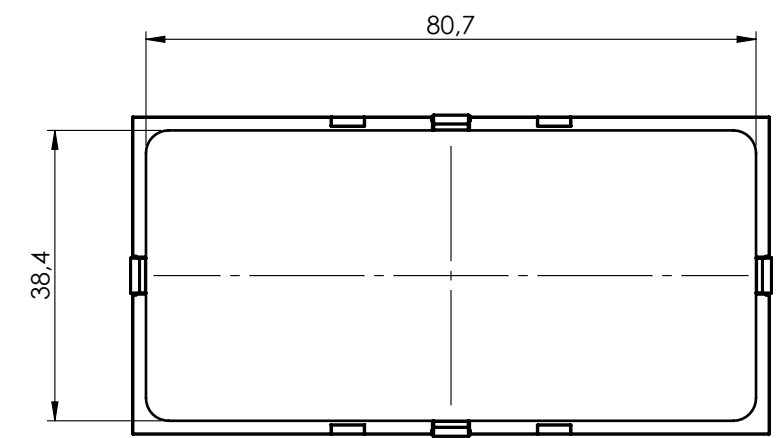


Revisions			
Rev.	Description	Date	Mod. by
1	Aggiornato disegno	09/07/2024	M.S.



SECTION B-B



General information:
 - Workpiece zero point for mechanical processing
 - Minimum recommended radius for machining = R1.0 mm

General Tolerance UNI EN 22768/1 Media (m)					Sheet:
from 0.5 to 3	from 3 to 6	from 6 to 30	from 30 to 120	from 120 to 400	1
± 0.1	± 0.1	± 0.2	± 0.3	± 0.5	
Scale: 1:1	IM: --	Drawed:	Checked: R.N.	Date: 06/06/2023	Material: PC/ABS-PC
Dimension in mm		<small>The present drawing cannot be reproduced or communicated to 3rd parties, even partially, without the authorization of ITALTRONIC S.p.A. Italtronic reserves to protect its own rights according to the law.</small>	Replaces the: M-00464-02	Derived from: --	Weight: 8.28 gr
italtronic enclosures for electronics italtronic.com		Description: PANNELLO MODULBOX CON CORNICE 5M PANEL MODULBOX WITH FRAME 5M			Drawing nr.: 2_250_03712 Rev.: 02
					A3