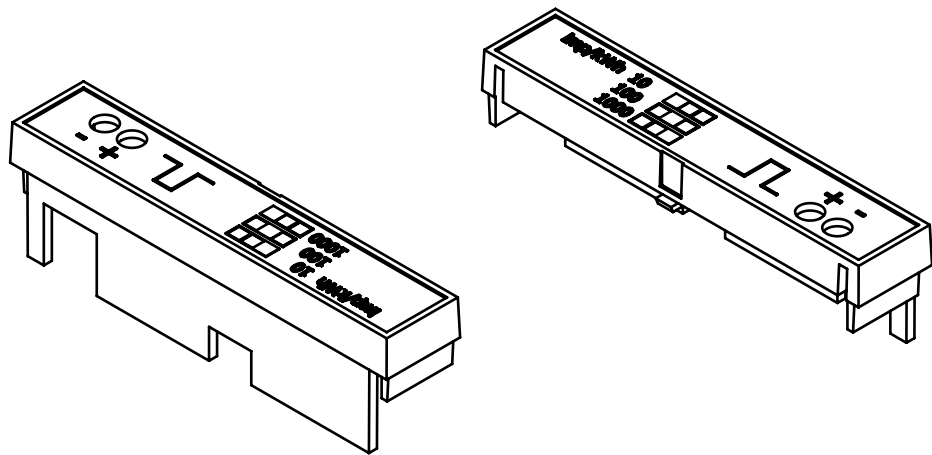


SECTION A-A



General information:

- Workpiece zero point for mechanical processing
- Minimum recommended radius for machining = R1.0 mm

General Tolerance UNI EN 22768/1 Media (m)					Sheet:		
from 0.5 to 3 ± 0.1	from 3 to 6 ± 0.1	from 6 to 30 ± 0.2	from 30 to 120 ± 0.3	from 120 to 400 ± 0.5	1		
Scale: 1:1	Drawn: M.S.	Checked: R.N.	Date: 15/06/2023	Material: PC/ABS	Process: INJECTION		
Dimension in mm				Weight: 4.42 gr	Cod. Mold: ST.05CN002		
 <b>italtronic</b> enclosures for electronics italtronic.com				Description: COPRIMORSETTO SPECIALE 4M-CM057 2 VIE 4MP05 TERMINAL COVER MODULBOX 4M-CM057 2POLES			
Drawing nr.:				2_250_03786		Rev.:	00
						A4	

The present drawing cannot be reproduced or communicated to 3rd parties, even partially, without the authorization of ITALTRONIC Srl. Italtronic reserves to protect its own rights according to the law.

Description:  
COPRIMORSETTO SPECIALE 4M-CM057 2 VIE 4MP05  
TERMINAL COVER MODULBOX 4M-CM057 2POLES

Drawing nr.:  
**2\_250\_03786**

Rev.:  
00

A4