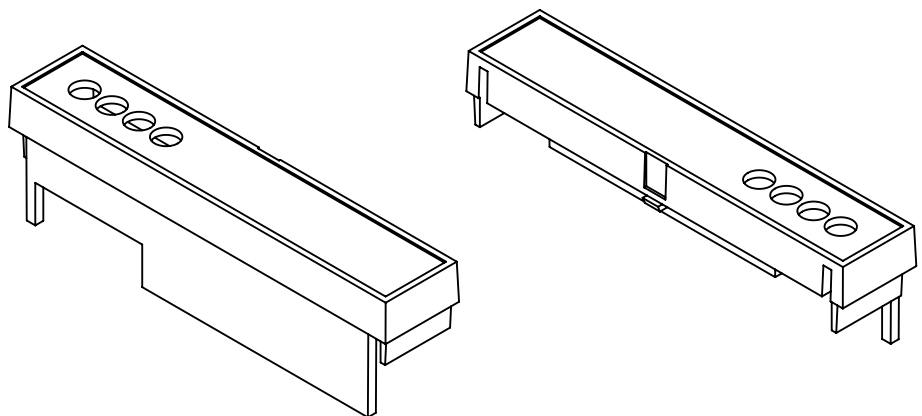




SECTION A-A



General Tolerance UNI EN 22768/1 Media (m)					Sheet:	
from 0.5 to 3 $\pm 0.1$	from 3 to 6 $\pm 0.1$	from 6 to 30 $\pm 0.2$	from 30 to 120 $\pm 0.3$	from 120 to 400 $\pm 0.5$	1	
Scale: 1:1	Drawn: M.S.	Checked: R.N.	Date: 05/11/2021	Material: PC/ABS	Process: INJECTION	
Derived from: --				Weight: 4.35 gr	Cod. Mold: ST.05CV000	
Dimension in mm		Description: COPRIMORSETTO MODULBOX 4M CM054 PASSO 5,08 4 POLI TERMINAL COVER MODULBOX 4M CM054 PITCH 5,08 4 POLES			Rev.: 01 A4	
 <b>italtronic</b> enclosures for electronics italtronic.com		Drawing nr.: <b>2_250_03616</b>				

General information:  
 -  Workpiece zero point for mechanical processing  
 - Minimum recommended radius for machining = R1.0 mm