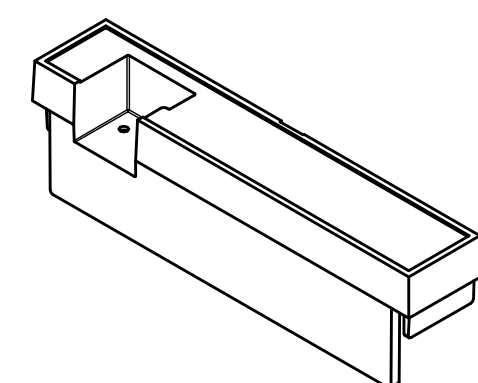
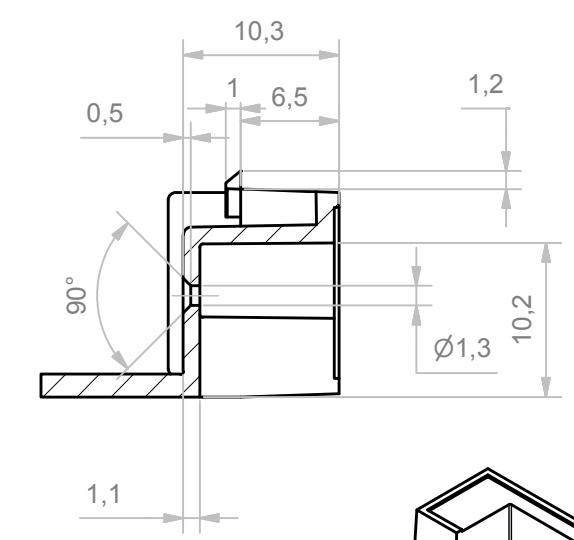


A-A (2:1)



RESERVED PROPERTY: The present drawing cannot be reproduced or communicated to 3d parties, even partially, without the authorization of ITALTRONIC Srl. Italtronic reserves to protect its own rights according to the law.					5	4	3	2	1
GENERAL TOLERANCE	UNI EN 22768/1 Media (m)		Drawn:	Checked:	Revision description				
SHEET NR.	Dimension in mm	DRAWING BY	Fanin F.	Fanin F.	Scale: 2:1				
1 / 1		 Manual modification are not allowed	Date: 02/12/2016	Replace nr.	Part number:				
 UN PARTNER PER IL FUTURO			Denomination: Coprimorsetto 4M EIB X1						
 ITALTRONIC S.R.L. VIA AUSTRIA 25/D 35127 PADOVA - ITALY www.italtronic.com			Drawing nr. M-07076-00						