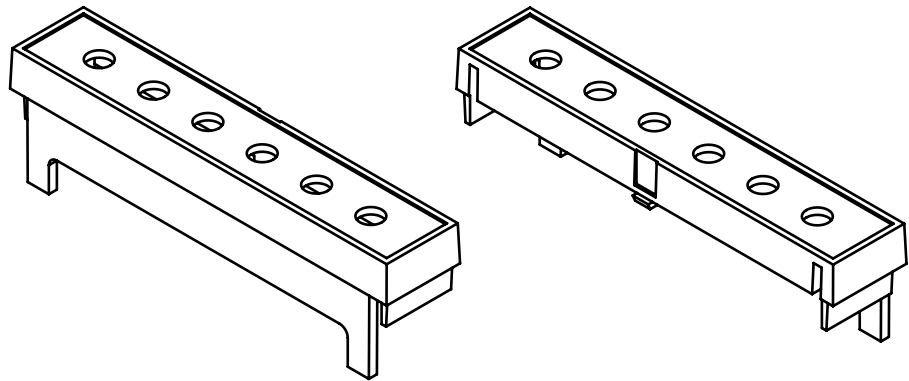




SECTION A-A



General Tolerance UNI EN 22768/1 Media (m)					Sheet:		
from 0.5 to 3 ± 0.1	from 3 to 6 ± 0.1	from 6 to 30 ± 0.2	from 30 to 120 ± 0.3	from 120 to 400 ± 0.5	1		
Scale: 1:1	Drawn:	Checked: R.N.	Date: 12/06/2023	Material: PC/ABS	Process: INJECTION		
Dimension in mm	Derived from: --			Weight: 3.94 gr	Cod. Mold: ST.05CV000		
 italtronic enclosures for electronics italtronic.com				Description: COPRIMORSETTO PREFORATO PASSO 10,16 CENTRATO 6 VIE 4MP10C TERMINAL COVER MODULBOX PRE-HOLED 4MP10C PITCH10,16 6 POLES			
Drawing nr.:				Rev.:		A4	
2_250_03734				00			

General information:

-  Workpiece zero point for mechanical processing
- Minimum recommended radius for machining = R1.0 mm