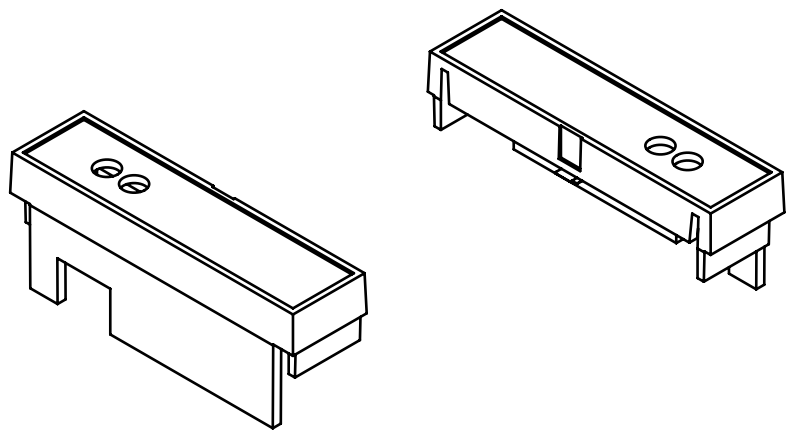


SECTION A-A



General Tolerance UNI EN 22768/1 Media (m)					Sheet:		
from 0.5 to 3 ± 0.1	from 3 to 6 ± 0.1	from 6 to 30 ± 0.2	from 30 to 120 ± 0.3	from 120 to 400 ± 0.5	1		
Scale: 1:1	Drawn: M.S.	Checked: R.N.	Date: 13/06/2023	Material: PC/ABS	Process: INJECTION		
Dimension in mm				Weight: 3.41 gr	Cod. Mold: ST.05CV000		
				Derived from: --		Description: COPRIMORSETTO SPECIALE 3M-CM065 2 VIE 3MP05 TERMINAL COVER MODULBOX 3M-CM065 2POLES	
 enclosures for electronics italtronic.com				Drawing nr.: 2_250_03757		Rev.: 00 A4	

General information:
 - Workpiece zero point for mechanical processing
 - Minimum recommended radius for machining = R1.0 mm