

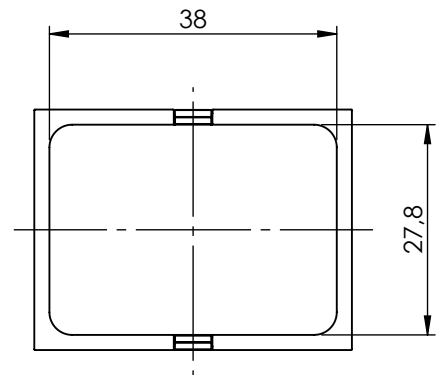
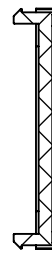
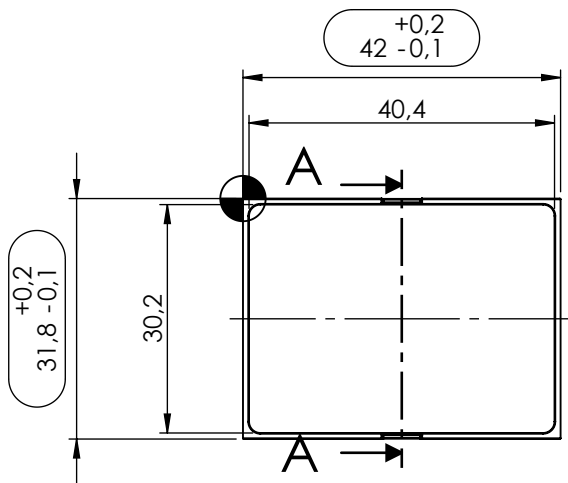
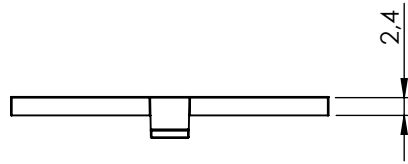
4

3

2

1

Revisions			
Rev.	Description	Date	Mod. by
A	Aggiornato disegno	09/07/2024	M.S.



SECTION A-A

General information:

- Workpiece zero point for mechanical processing
- Minimum recommended radius for machining = R1.0 mm

General Tolerance UNI EN 22768/1 Media (m)					Sheet:	
from 0.5 to 3 ± 0.1	from 3 to 6 ± 0.1	from 6 to 30 ± 0.2	from 30 to 120 ± 0.3	from 120 to 400 ± 0.5	1	
Scale: 1:1	Drawn: R.N.	Checked: R.N.	Date: 02/04/2021	Material: PC/ABS-PC	Process: INJECTION	
Dimension in mm	The present drawing cannot be reproduced or communicated to 3d parties, even partially, without the authorization of ITALTRONIC Srl. Italtronic reserves to protect its own rights according to the law.			Weight: 3.09 gr	Cod. Mold: ST.0511400	
italtronic enclosures for electronics italtronic.com			Description: PANNELLO MODULBOX CON CORNICE 2M PANEL MODULBOX WITH FRAME 2M			
Drawing nr.: 2_250_00110			Rev.: 01		A4	

4

3

2

1