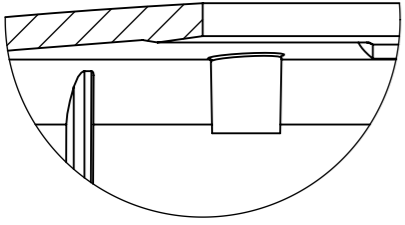
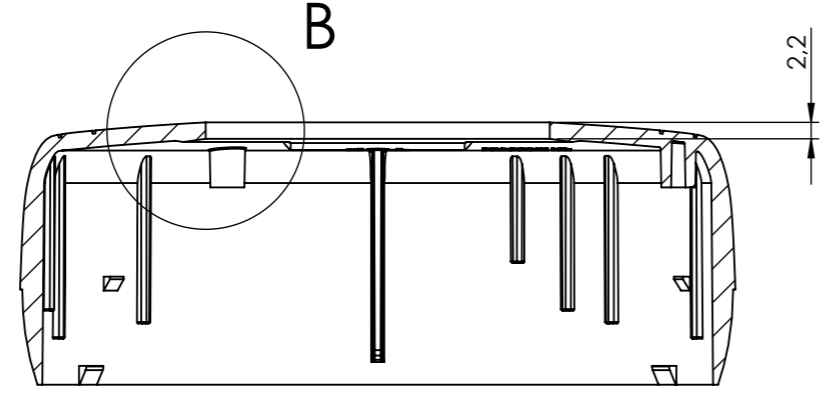


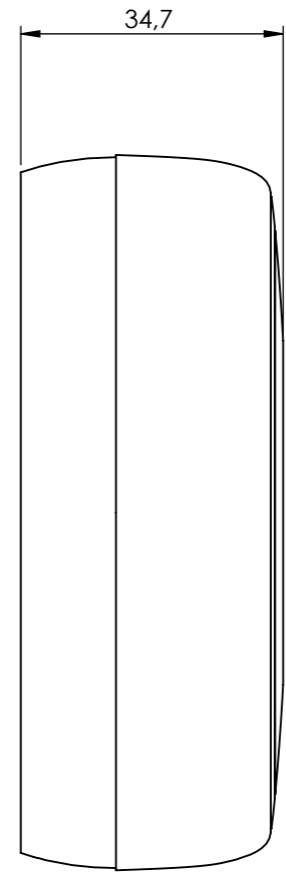
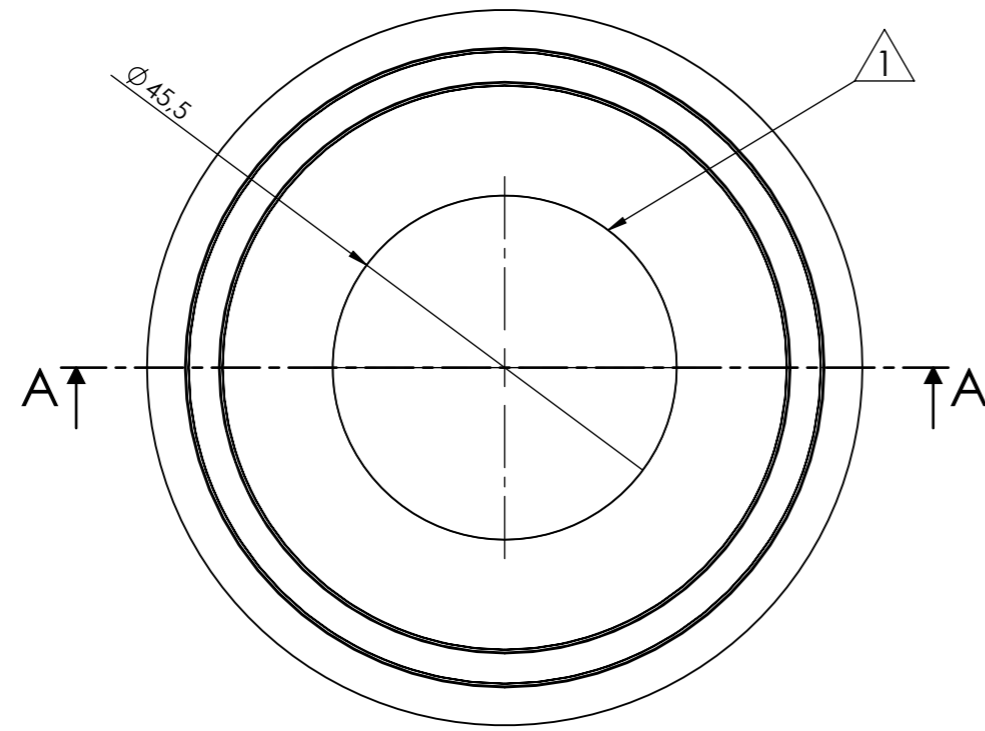
Revisions			
Rev.	Description	Date	Modified by
1	Eliminata svasatura su foro	18/02/2022	R.N.

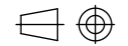



DETAIL B
SCALE 2 : 1



SECTION A-A



General Tolerance UNI EN 22768/1 Media (m)					Sheet:
from 0.5 to 3 ± 0.1	from 3 to 6 ± 0.1	from 6 to 30 ± 0.2	from 30 to 120 ± 0.3	from 120 to 400 ± 0.5	1
Scale: 1:1	Drawed: R.N.	Checked: R.N.	Date: 18/02/2022	Material: ABS	Process: CNC
 Dimension in mm		<small>The present drawing cannot be reproduced or communicated to 3rd parties, even partially, without the authorization of ITALTRONIC S.p.A. Italtronic reserves to protect its own rights according to the law.</small> Derived from: 2_240_00024	Weight: 32.06 gr	Cod. Mold: --	
 enclosures for electronics italtronic.com		Description: COPERCHIO EYEBOS SIMPLE PER CUPOLA D45 MM COVER EYEBOS SIMPLE FOR DOME D45 MM			Rev.: 01
Drawing nr.: 2_240_00020				A3	