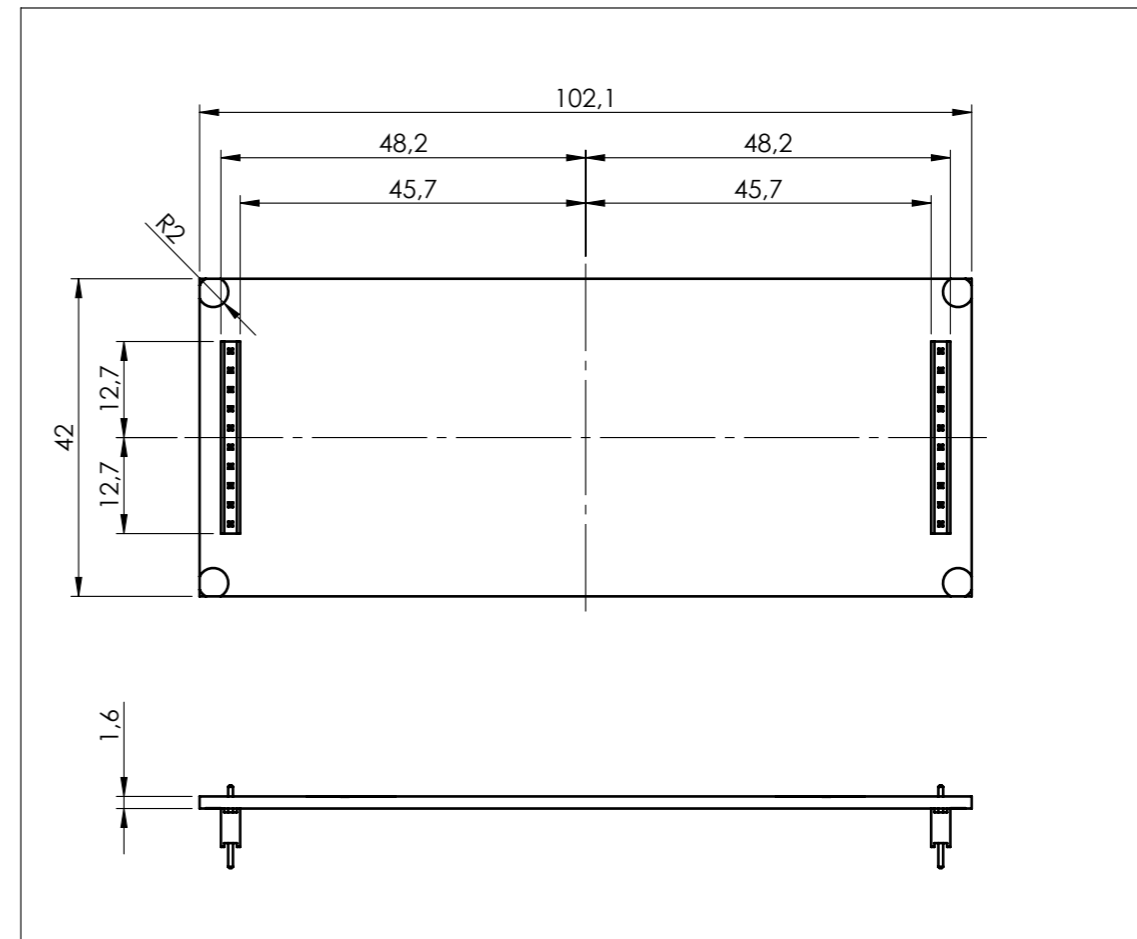


DETAIL B
SCALE 5 : 1



PCB MODULBOX
CSC FOR TOP BUS XTS

General Tolerance UNI EN 22768/1 Media (m)					Sheet:
from 0.5 to 3 ± 0.1	from 3 to 6 ± 0.1	from 6 to 30 ± 0.2	from 30 to 120 ± 0.3	from 120 to 400 ± 0.5	1
Scale: 1:1	IM: --	Drawed: M.S.	Checked: R.N.	Date: 03/04/2024	Material: PC/ABS-PC
Dimension in mm		Replaces the: --	Derived from: --	Weight: 9.98 gr	Process: INJECTION
		<small>The present drawing cannot be reproduced or communicated to 3rd parties, even partially, without the authorization of ITALTRONIC S.p.A. Italtronic reserves to protect its own rights according to the law.</small>		Cod. Mold: --	
 italtronic enclosures for electronics italtronic.com					Description: LAVORAZIONE CNC PANNELLO MODULBOX PER TOP BUS XTS 2 LATI CNC FINISHING PANEL MODULBOX FOR TOP BUS XTS 2 SIDES Drawing nr.: 2_250_00039
				Rev.:	A3
				-	