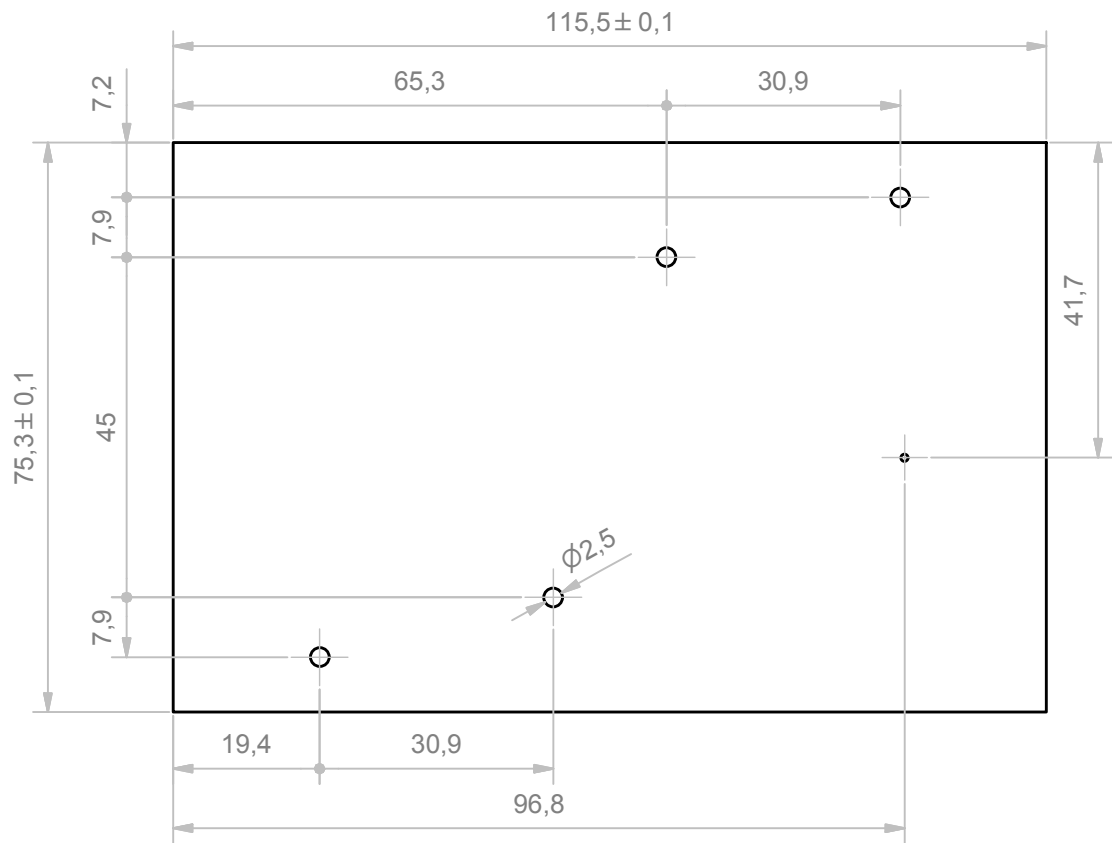
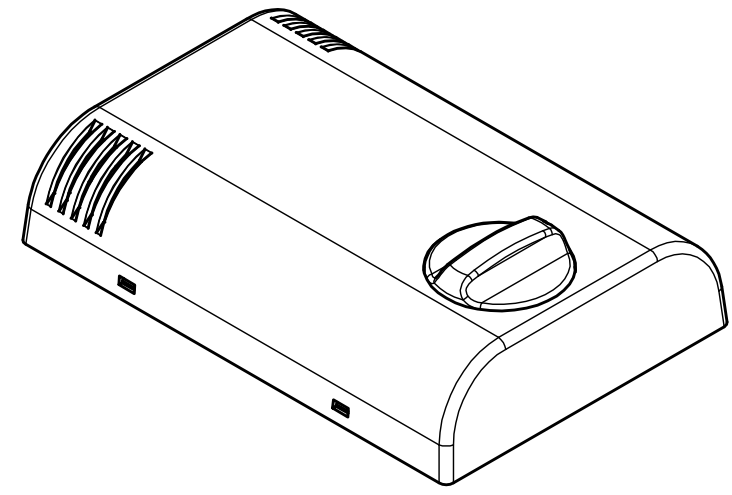
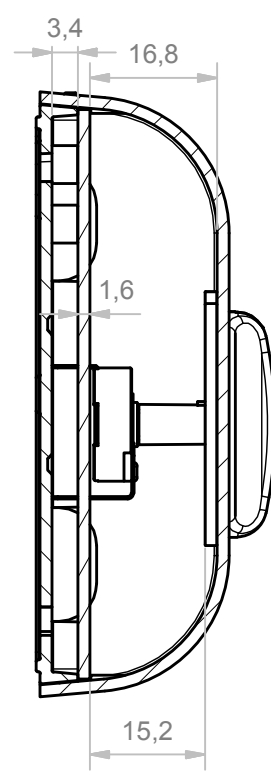
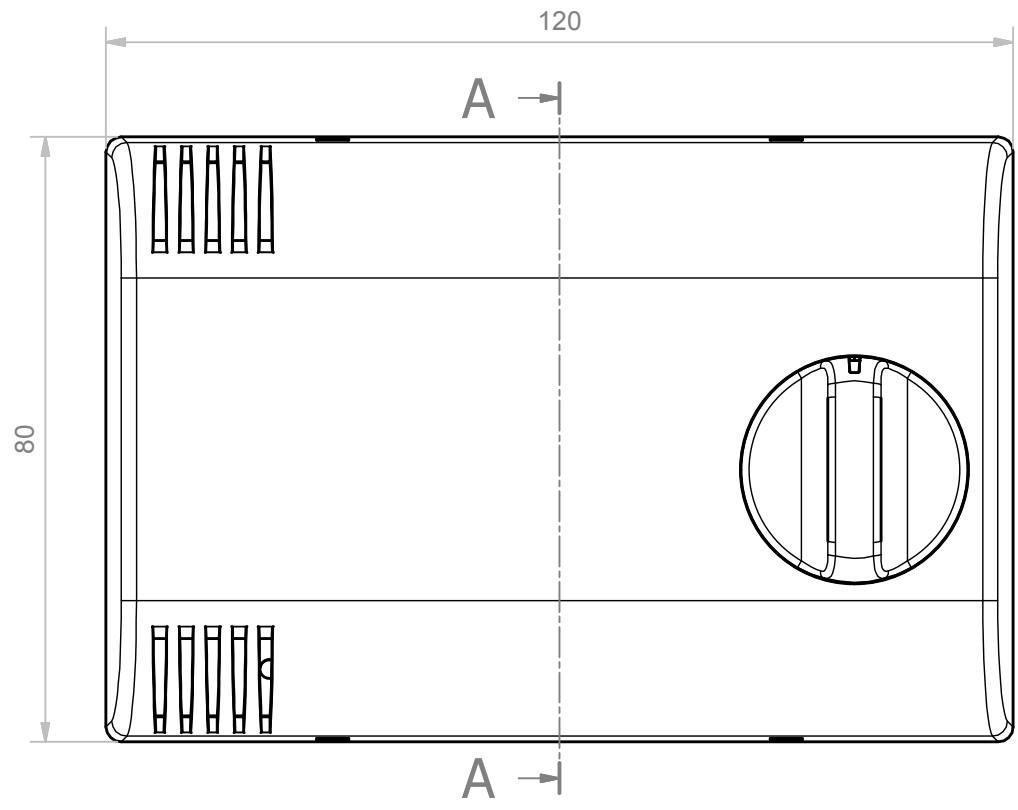


6 | 5 | 4 | 3 | 2 | 1

A-A (1:1)



RIF.	Q.TY	DESCRIPTION	CODE
1	1	COVER THERMO 120 WITH HOLES FOR KNOB D30	V-01497
2	1	KNOB D30 MM	V-01382
3	1	PIN THERMO	V-01384
4	1	BASE THERMO 120 WITH SPACERS	V-01381

RESERVED PROPERTY: The present drawing cannot be reproduced or communicated to 3d parties, even partially, without the authorization of ITALTRONIC Srl. Italtronic reserves to protect its own rights according to the law.

GENERAL TOLERANCE		UNI EN 22768/1 Media (m)		Drawn:		Checked:		Revision description	
SHEET NR.		Dimension in mm		DRAWING BY		Date:		Scale:	
1 / 1				 Manual modification are not allowed		Rigato N.		Fanin F.	
						07/03/2017		Part number:	

Denomination: COMPLETE ENCLOSURE THERMO 120 WITH KNOB D30 AND SPACERS



ITALTRONIC S.R.L.
VIA AUSTRIA 25/D 35127
PADOVA - ITALY
www.italtronic.com

Drawing nr.
T-06829-00

6 | 5 | 4 | 3 | 2 | 1