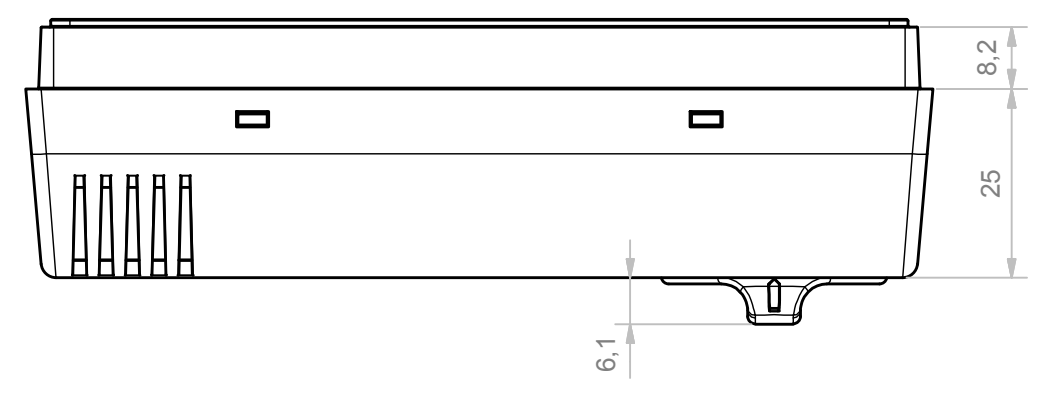
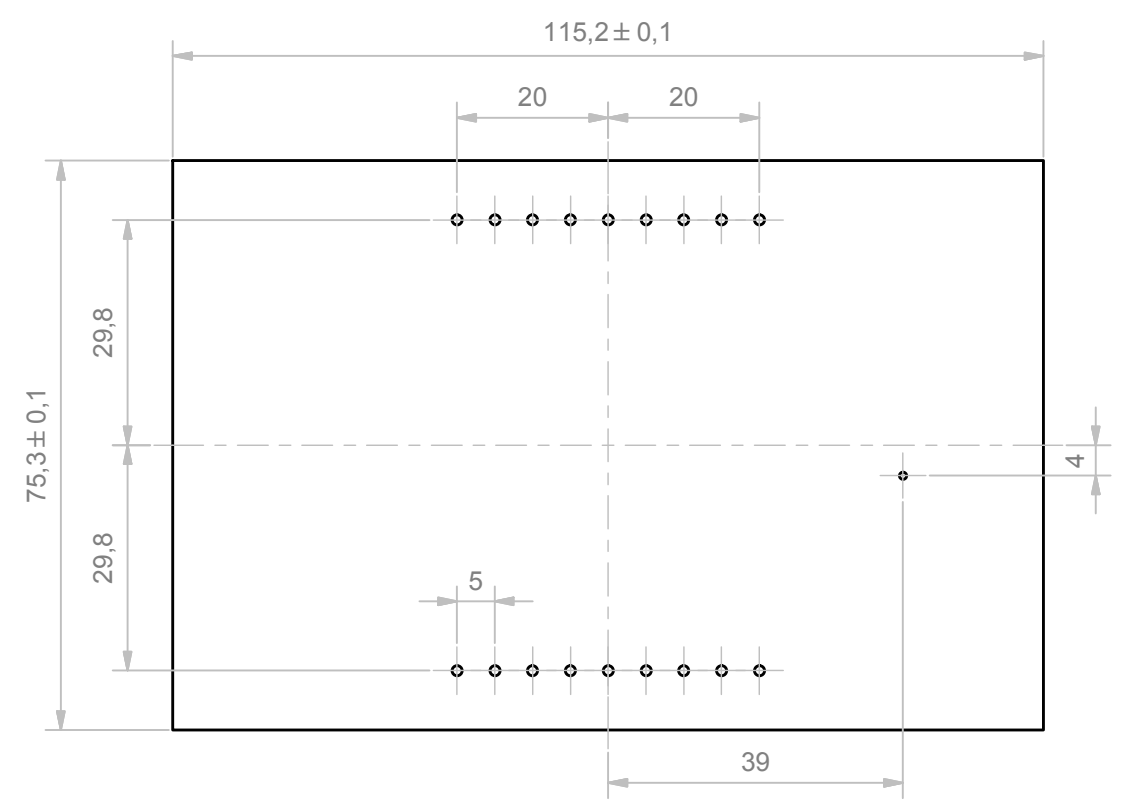
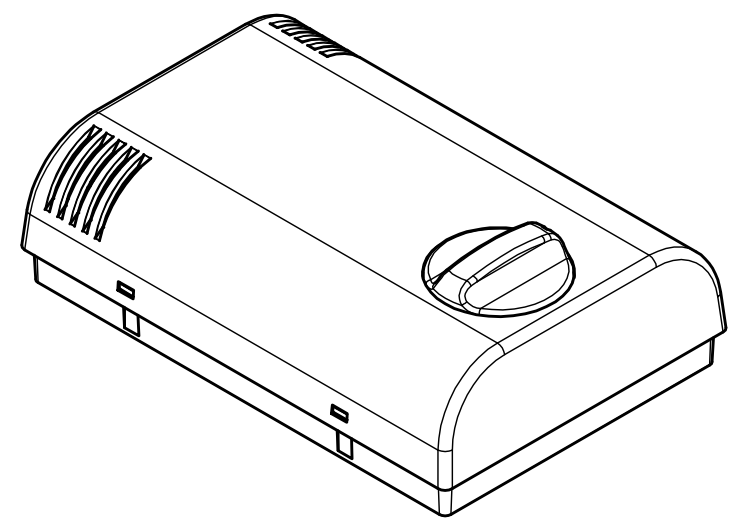
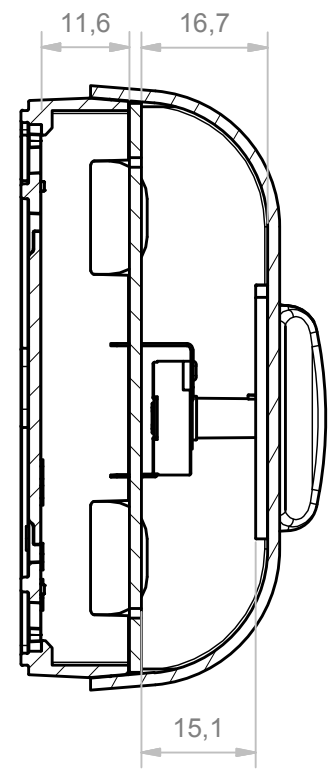
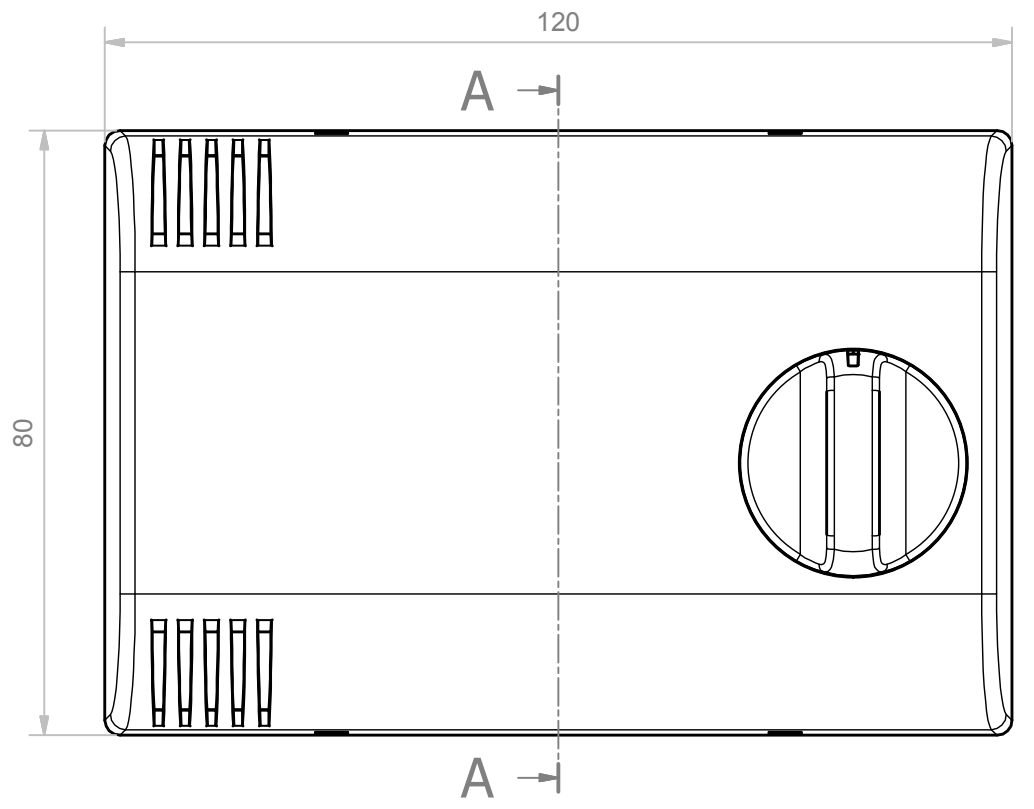


6 | 5 | 4 | 3 | 2 | 1

A-A (1:1)



RIF.	Q.TY	DESCRIPTION	CODE
1	1	BASE THERMO 120 CSF 18	T-02538
2	1	KNOB D30 MM	V-01382
3	1	PIN THERMO	V-01384
4	1	COVER THERMO 120 WITH HOLES FOR KNOB D30	V-01497

RESERVED PROPERTY: The present drawing cannot be reproduced or communicated to 3d parties, even partially, without the authorization of ITALTRONIC Srl. Italtronic reserves to protect its own rights according to the law. 5 4 3 2 1

GENERAL TOLERANCE	<b>UNI EN 22768/1 Media (m)</b>	Drawn:	Checked:	Revision description
SHEET NR.	Dimension in mm	DRAWING BY	Rigato N.	Fanin F.
1 / 1		 Manual modification are not allowed	Date: 06/03/2017	Scale: 1 : 1
			Replace nr.	Part number:

Denomination: COMPLETE ENCLOSURE THERMO 120 CSF WITH KNOB D30

**ITALTRONIC S.R.L.**  
VIA AUSTRIA 25/D 35127  
PADOVA - ITALY  
www.italtronic.com

Drawing nr. **T-06833-00**

6 | 5 | 4 | 3 | 2 | 1