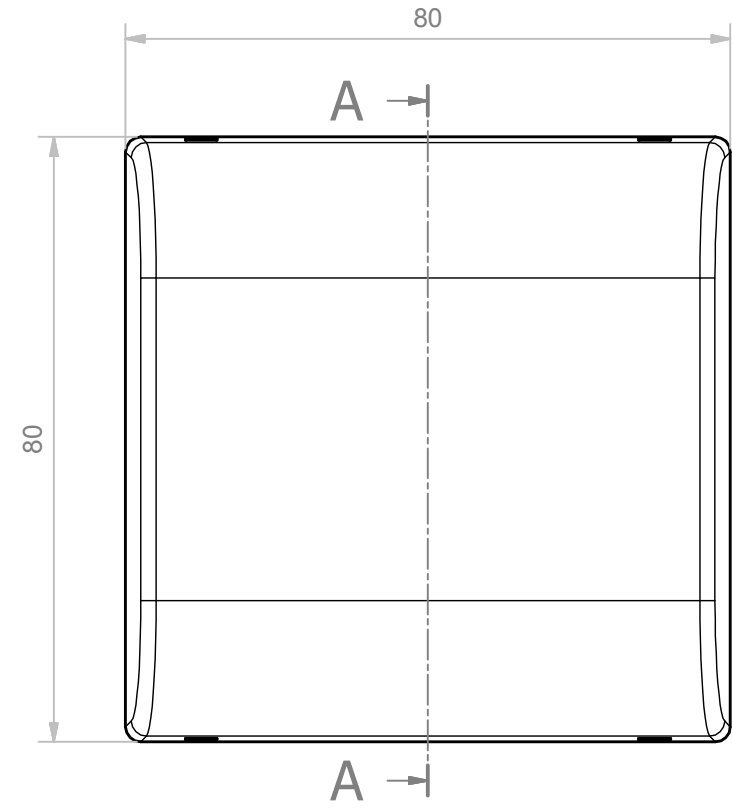
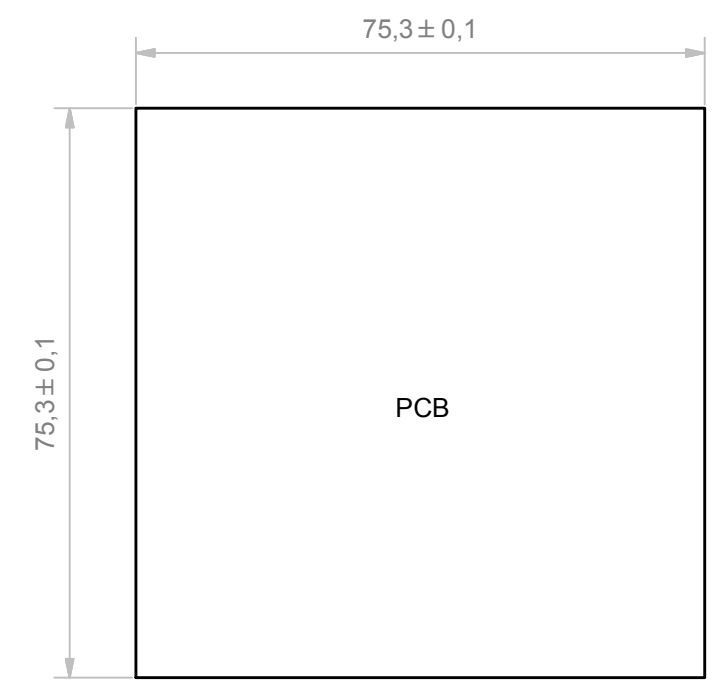
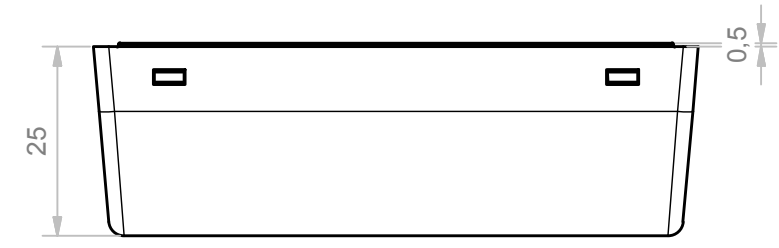
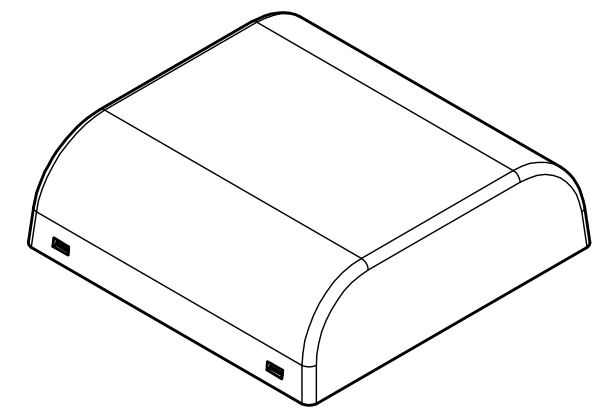
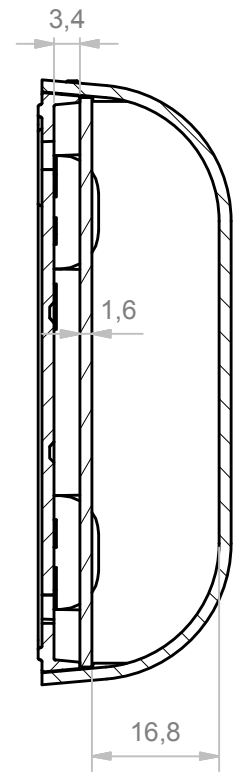


6 | 5 | 4 | 3 | 2 | 1

D
C
B
A



A-A (1:1)



RIF.	Q.TY	DESCRIPTION	CODE
1	1	BASE THERMO 80	T-02637
2	1	COVER THERMO 80 WITHOUT VENTILATION	T-02535

RESERVED PROPERTY: The present drawing cannot be reproduced or communicated to 3d parties, even partially, without the authorization of ITALTRONIC Srl. Italtronic reserves to protect its own rights according to the law.				5	4	3	2	1
GENERAL TOLERANCE	UNI EN 22768/1 Media (m)		Drawn:	Checked:		Revision description		
SHEET NR.	Dimension in mm	DRAWING BY	Rigato N.	Fanin F.		Scale: 1 : 1		
1 / 1		 Manual modification are not allowed	Date: 02/03/2017	Replace nr.		Part number:		

 UN PARTNER PER IL FUTURO PLASTIC+ Group Italtronic	Denomination: COMPLETE ENCLOSURE THERMO 80 WITHOUT VENTILATION	
	ITALTRONIC S.R.L. VIA AUSTRIA 25/D 35127 PADOVA - ITALY www.italtronic.com	Drawing nr. T-06659-00

6 | 5 | 4 | 3 | 2 | 1