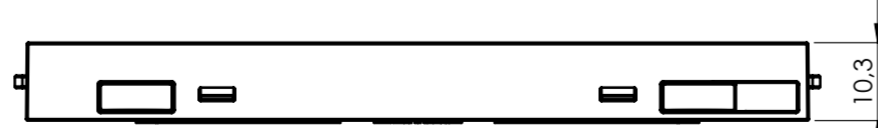
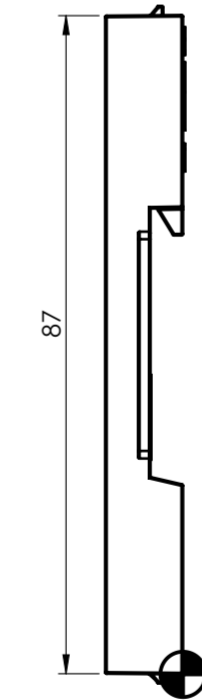
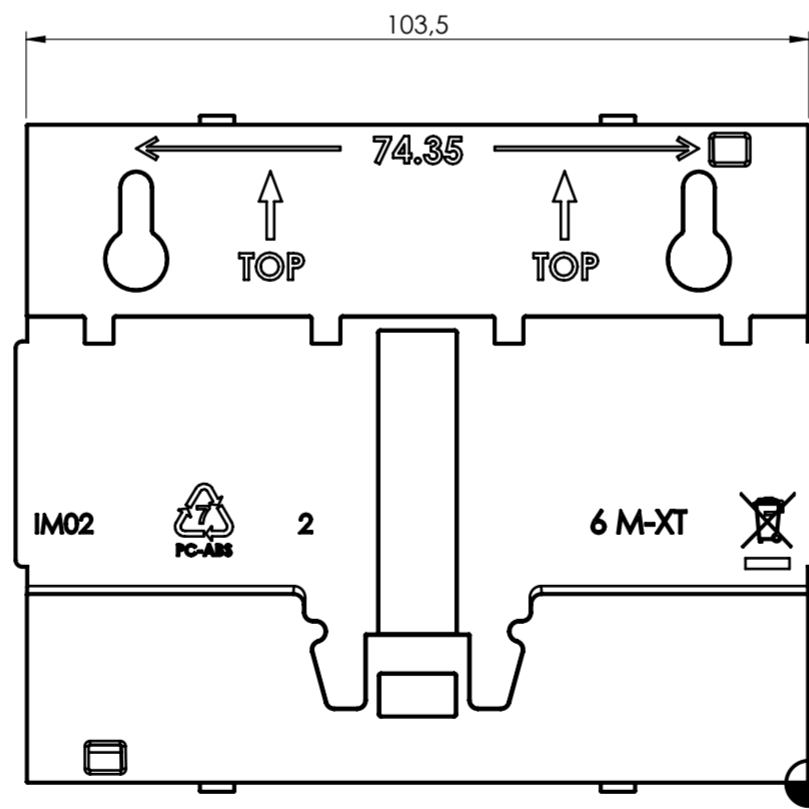
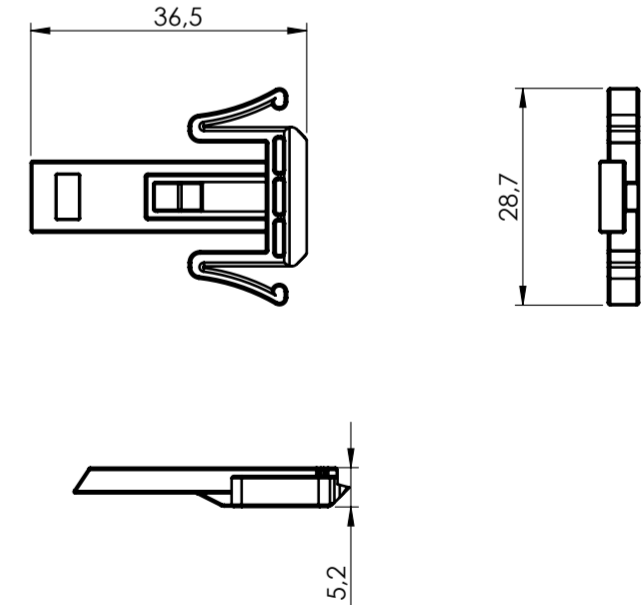


BASE



HOOK



General information:  
 - Workpiece zero point for mechanical processing  
 - Minimum recommended radius for machining = R1.0 mm  
 - Mounting rail like EN 60715: TH 35-7.5 or TH 35-15  
 - Recommended PCB outline on [www.italtronic.com](http://www.italtronic.com)  
 - Medium thickness = 1.5 mm

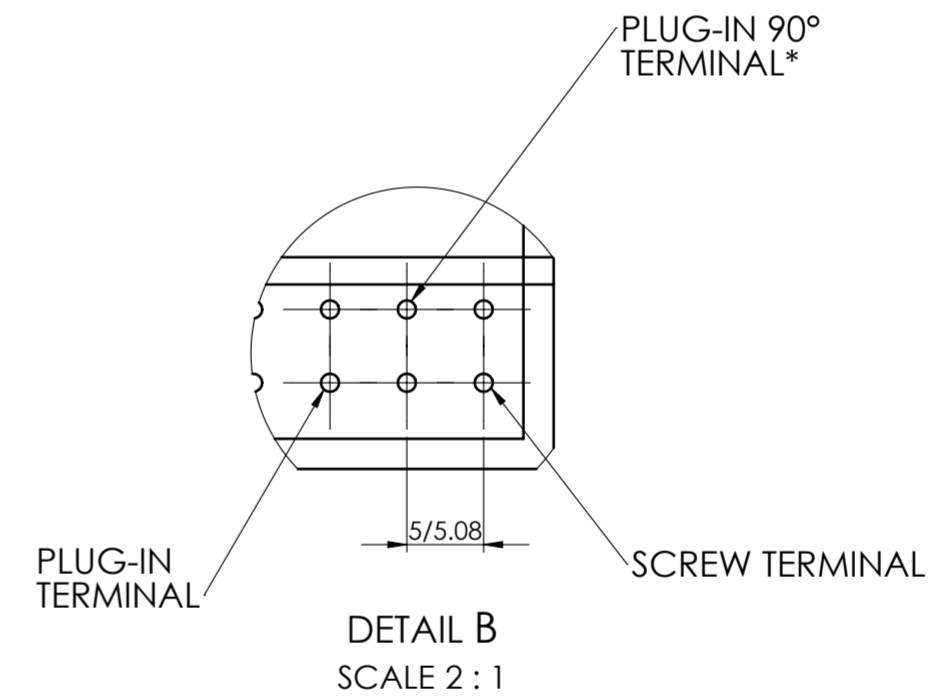
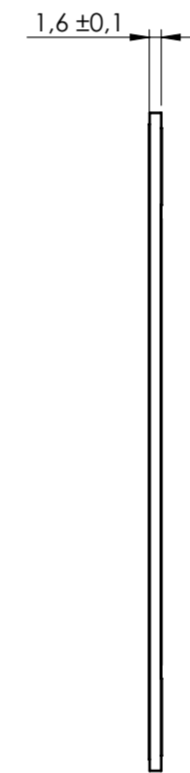
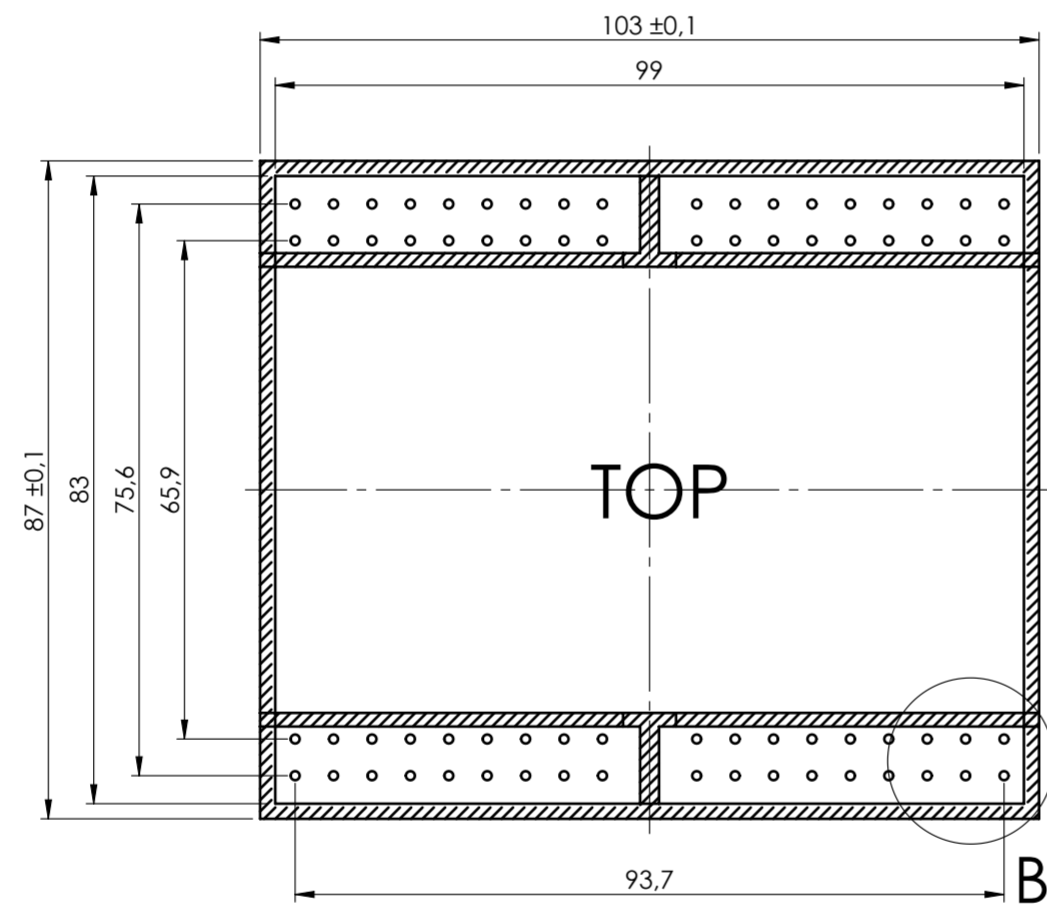
RIF.	Q.TY	DRAWING	DESCRIPTION
1	1	2_250_00012	BODY MODULBOX XTS 6MHC33-A CLOSED COMPACT
2	1	2_250_00137	BASE MODULBOX XT/XTS - 6M
3	1	2_250_00072	HOOK FOR MODULBOX XT-XTS

General Tolerance UNI EN 22768/1 Media (m)					Sheet:
from 0.5 to 3	from 3 to 6	from 6 to 30	from 30 to 120	from 120 to 400	1
± 0.1	± 0.1	± 0.2	± 0.3	± 0.5	
Scale:	IM:	Drawed:	Checked:	Date:	Material:
1:1	--	M.S.	R.N.	13/03/2024	Process:
Dimension in mm		Replaces the:		Derived from:	Weight:
		M-05045-01		--	gr
Description:					Cod. Mold:
KIT CONTENITORE MODULBOX XTS COMPACT 6MHC33-A					--
KIT ENCLOSURE MODULBOX XTS COMPACT 6MHC33-A					
Drawing nr.:					Rev.:
3_250_00002					00
italtronic.com					A2

PCB A

Max height of the terminal:  
Modulbox XT/XTS: 18.5 mm



General Tolerance UNI EN 22768/1 Media (m)					Sheet:
from 0.5 to 3 ± 0.1	from 3 to 6 ± 0.1	from 6 to 30 ± 0.2	from 30 to 120 ± 0.3	from 120 to 400 ± 0.5	PCB
Scale:	IM:	Drawn:	Checked:	Date:	Material:
1:1	--	M.S.	R.N.	13/03/2024	Process:
Dimension in mm		Replaces the:		Weight:	Cod. Mold:
		M-05045-01		gr	--
 italtronic.com		Description: KIT CONTENITORE MODULBOX XTS COMPACT 6MHC33-A KIT ENCLOSURE MODULBOX XTS COMPACT 6MHC33-A			Rev.:
		Drawing nr.: <b>3_250_00002</b>			00
					A2