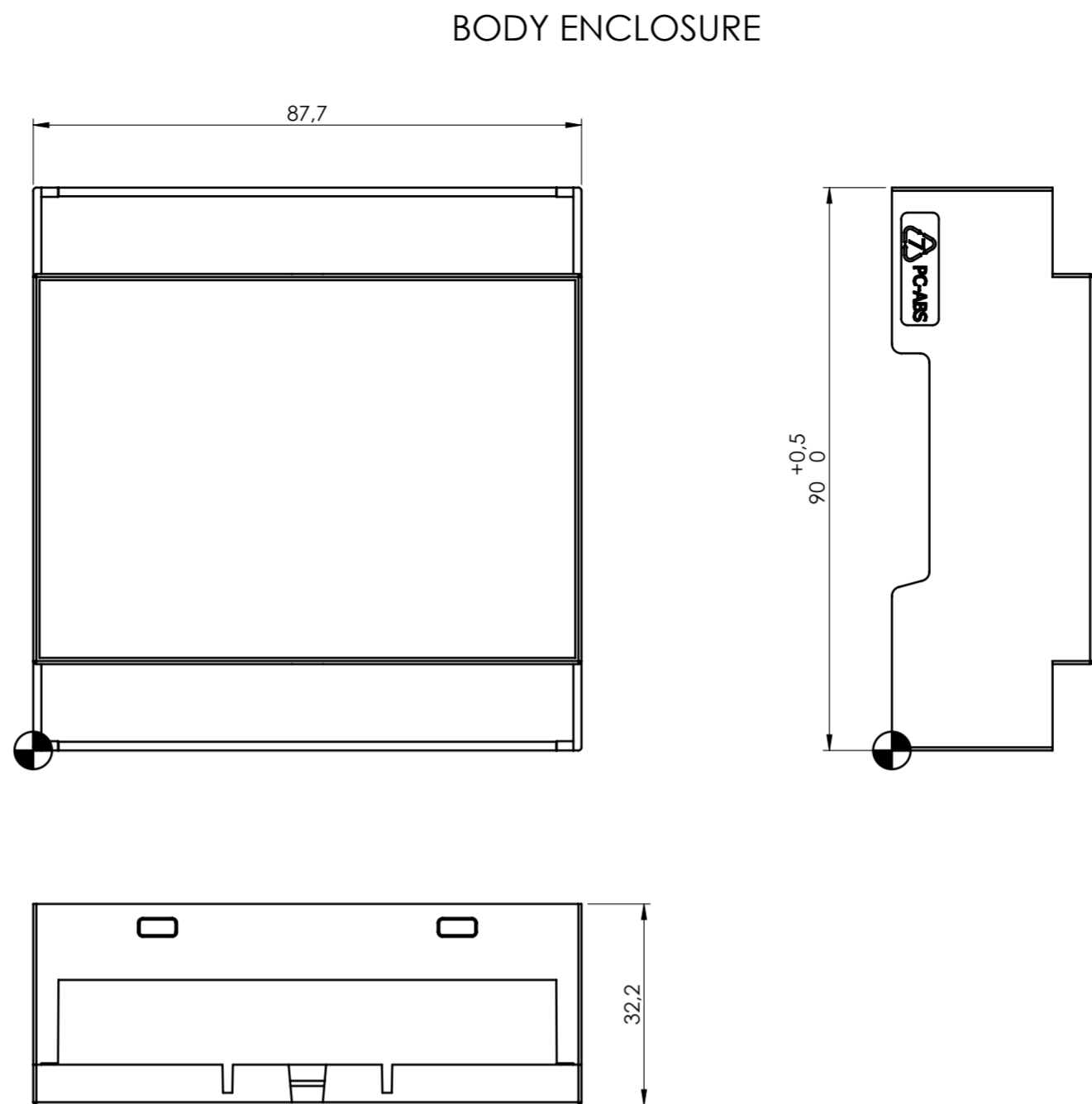
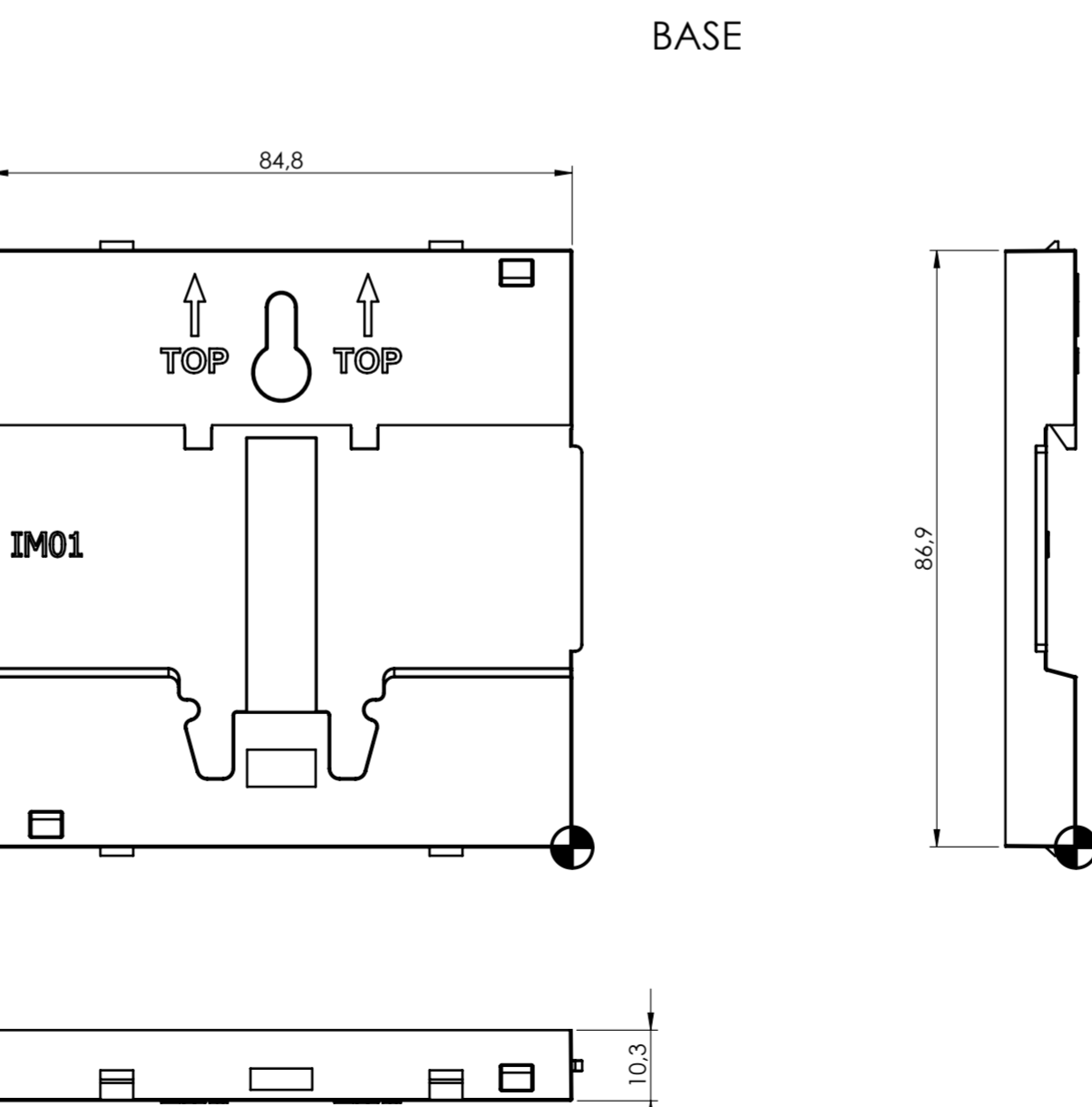
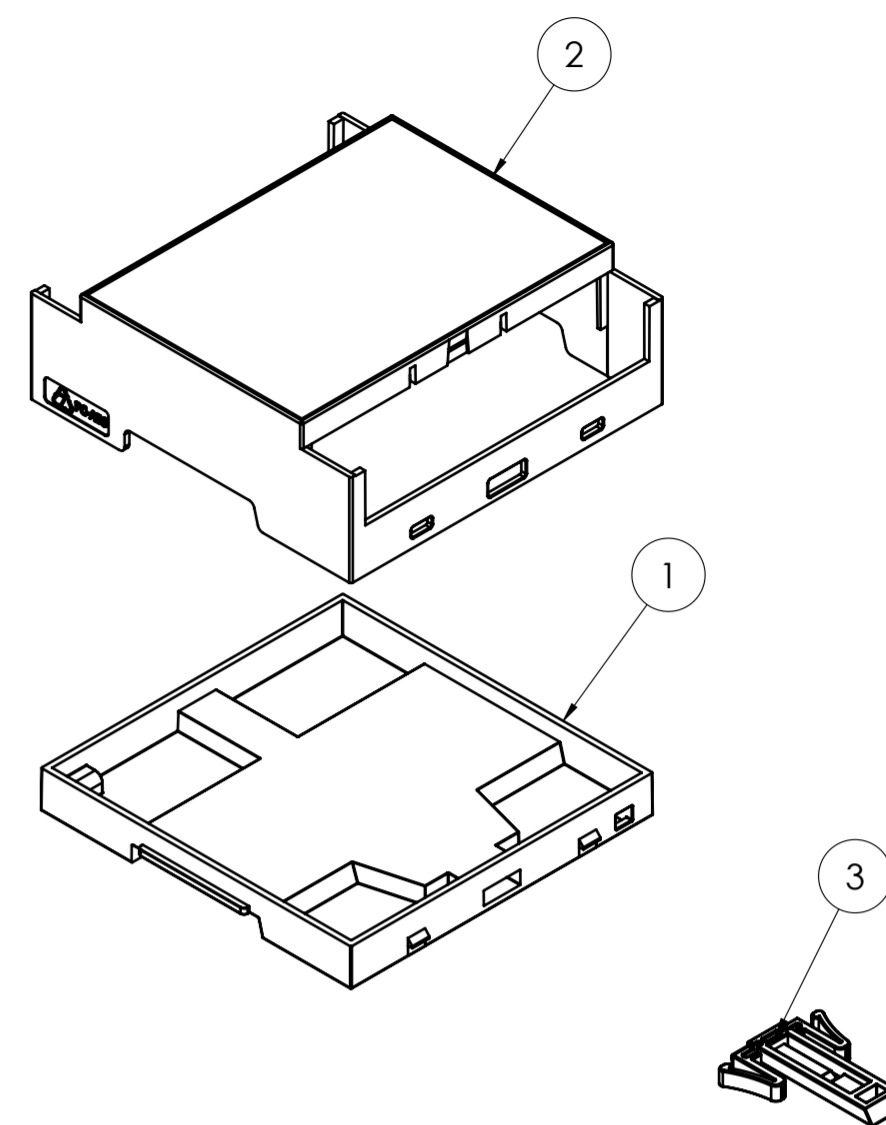


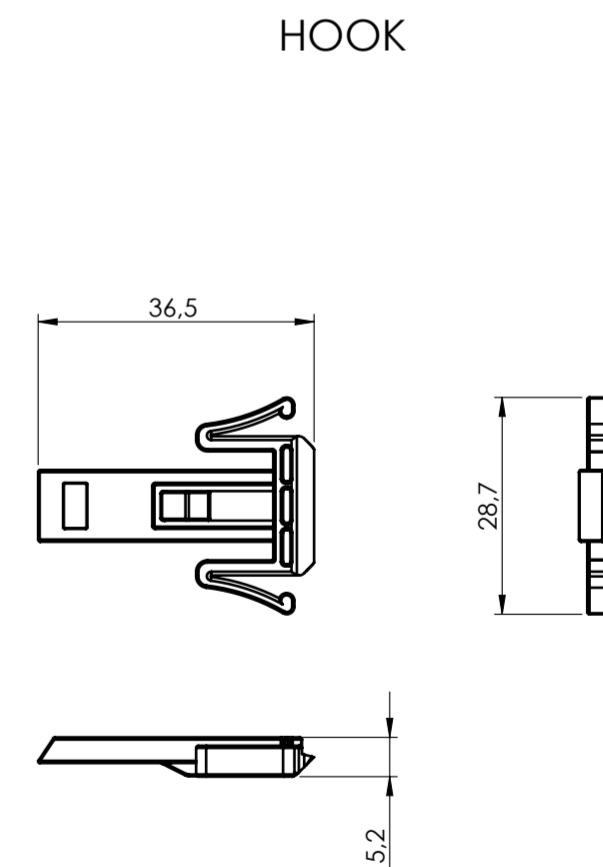
SECTION A-A



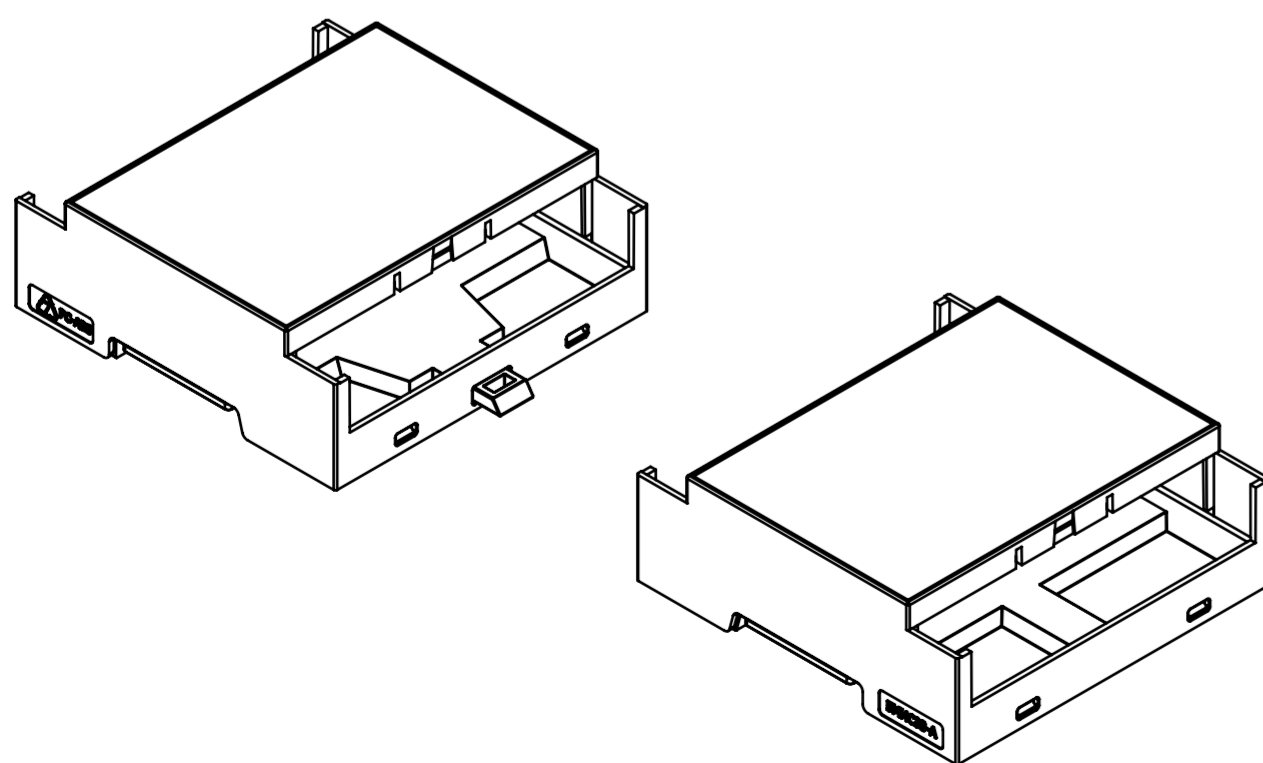
BODY ENCLOSURE



BASE



HOOK



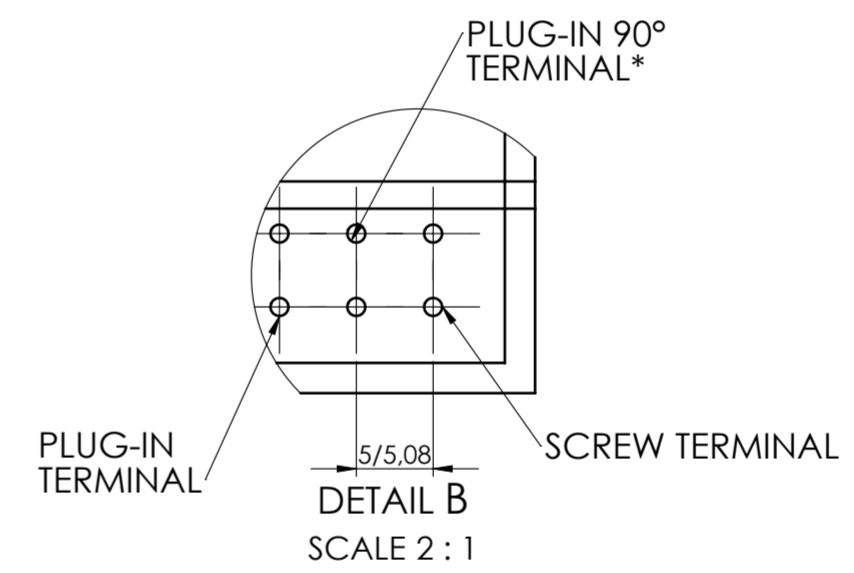
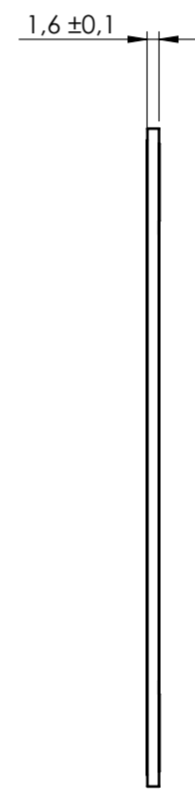
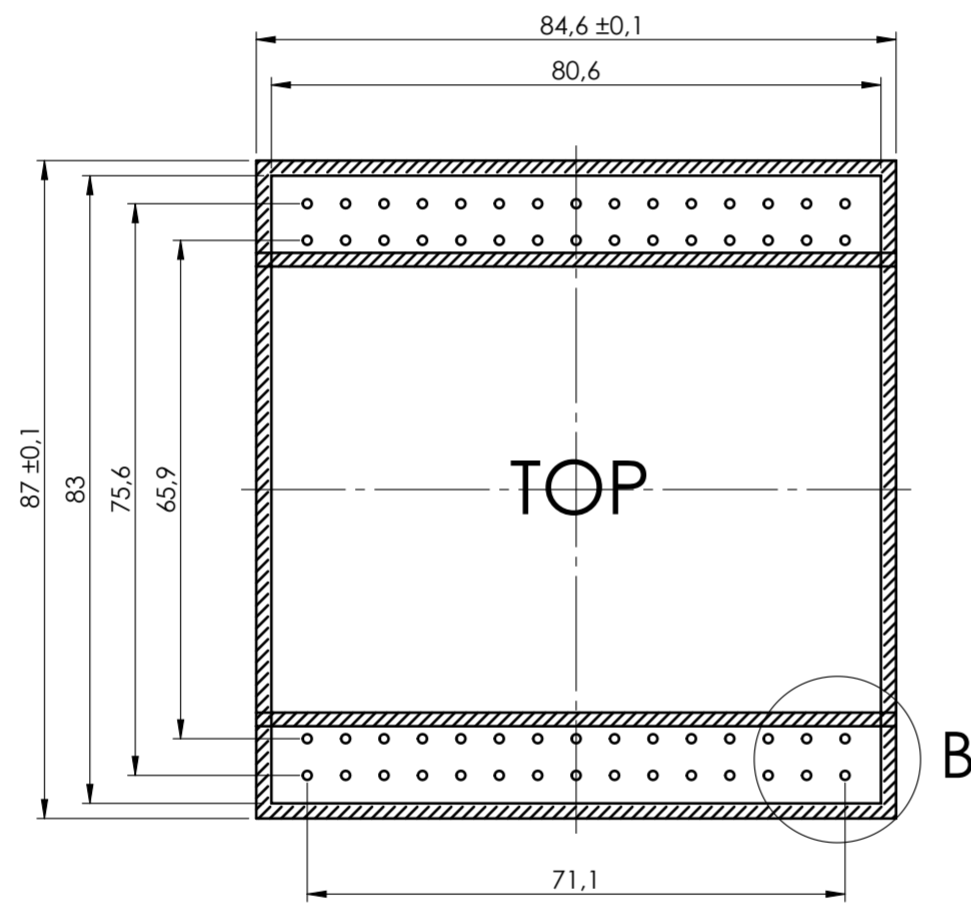
General information:  
 - Workpiece zero point for mechanical processing  
 - Minimum recommended radius for machining = R1.0 mm  
 - Mounting rail like EN 60715: TH 35-7.5 or TH 35-15  
 - Recommended PCB outline on [www.italtronic.com](http://www.italtronic.com)  
 - Medium tickness = 1.5 mm

RIF.	Q.TY	DRAWING	DESCRIPTION
1	1	2_250_03678	BASE MODULBOX XT\XTS - 5M
2	1	2_250_00009	BODY MODULBOX XTS 5MHC33-A CLOSED COMPACT
3	1	2_250_00072	HOOK FOR MODULBOX XT\XTS

General Tolerance UNI EN 22768/1 Media (m)						Sheet:
from 0.5 to 3	from 3 to 6	from 6 to 30	from 30 to 120	from 120 to 400		1
± 0.1	± 0.1	± 0.2	± 0.3	± 0.5	Scale:	
IM:	Drawed:	Checked:	Date:	Material:	Process:	
1:1	--	M.S.	R.N.	13/03/2024		
Dimension in mm		Replaces the:		Weight:	Cod. Mold:	
		M-05176-00		--	gr	--
 enclosures for electronics <a href="http://italtronic.com">italtronic.com</a>						
Description: KIT CONTENITORE MODULBOX XTS COMPACT 5MHC33-A KIT ENCLOSURE MODULBOX XTS COMPACT 5MHC33-A Drawing nr.: <b>3_250_00011</b>						Rev.: 00 A2

PCB A

Max height of the terminal:  
Modulbox XT/XTS: 18.5 mm



General Tolerance UNI EN 22768/1 Media (m)						Sheet:
from 0.5 to 3 ± 0.1	from 3 to 6 ± 0.1	from 6 to 30 ± 0.2	from 30 to 120 ± 0.3	from 120 to 400 ± 0.5		PCB
Scale:	IM:	Drawn:	Checked:	Date:	Material:	Process:
1:1	--	M.S.	R.N.	13/03/2024		
Dimension in mm		Replaces the:		Derived from:	Weight:	Cod. Mold:
		M-05176-00		--	gr	--
		Description:		KIT CONTENITORE MODULBOX XTS COMPACT 5MHC33-A		
		KIT ENCLOSURE MODULBOX XTS COMPACT 5MHC33-A		Drawing nr.: <b>3_250_00011</b>		
		Rev.: <b>00</b>		A2		

NO COMPONENTS AREA

**italtronic**  
enclosures for electronics  
italtronic.com