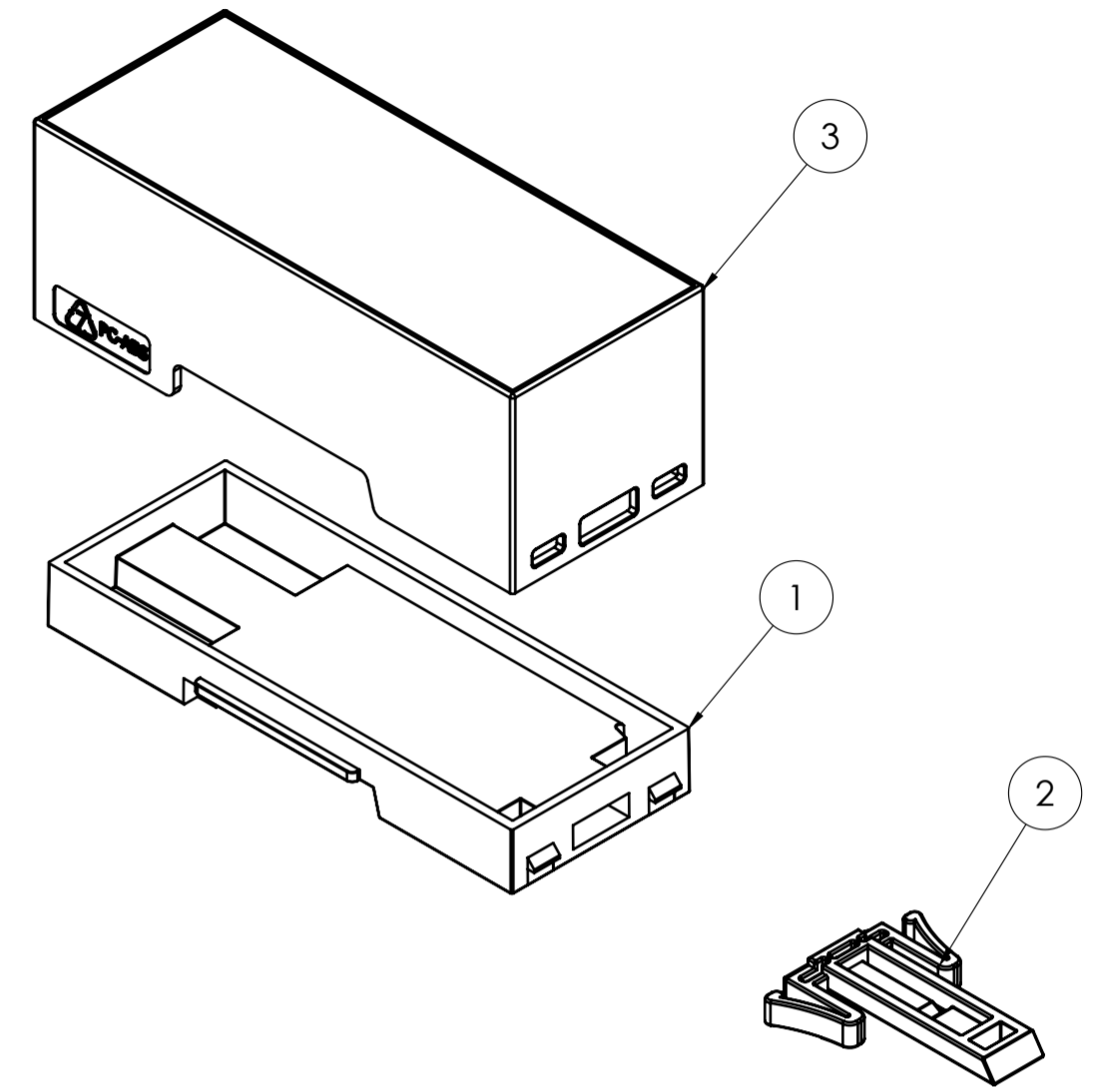
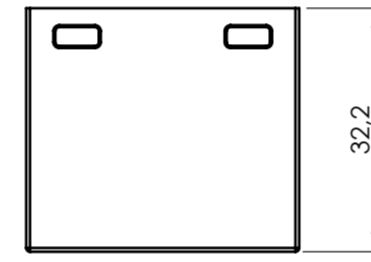
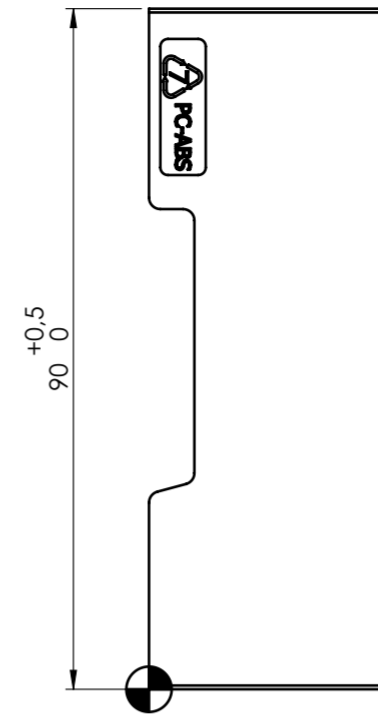
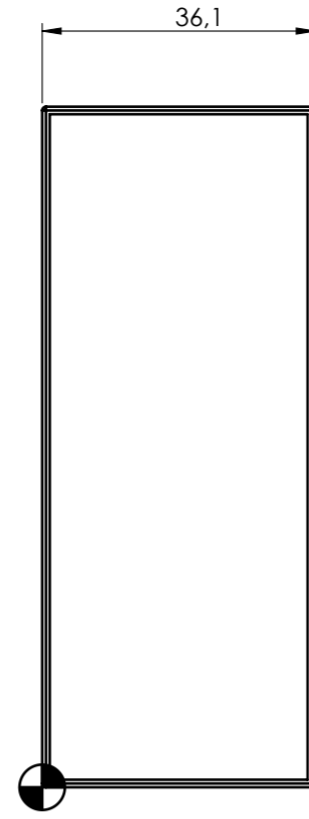
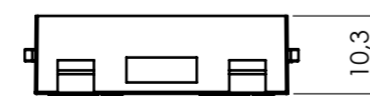
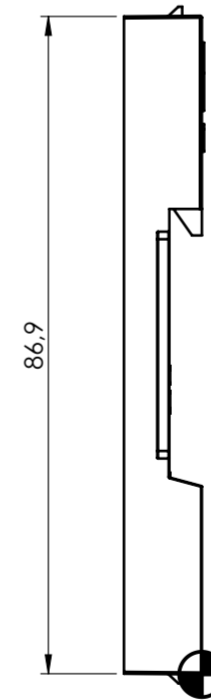
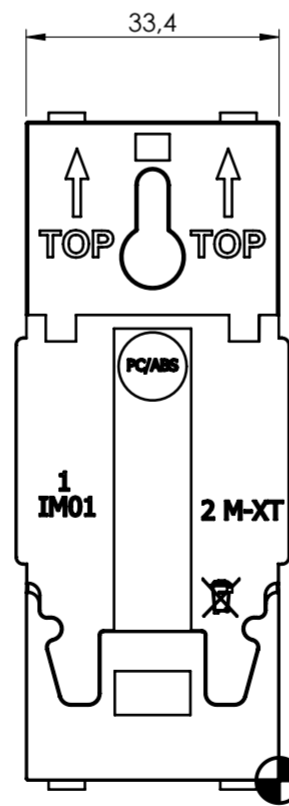


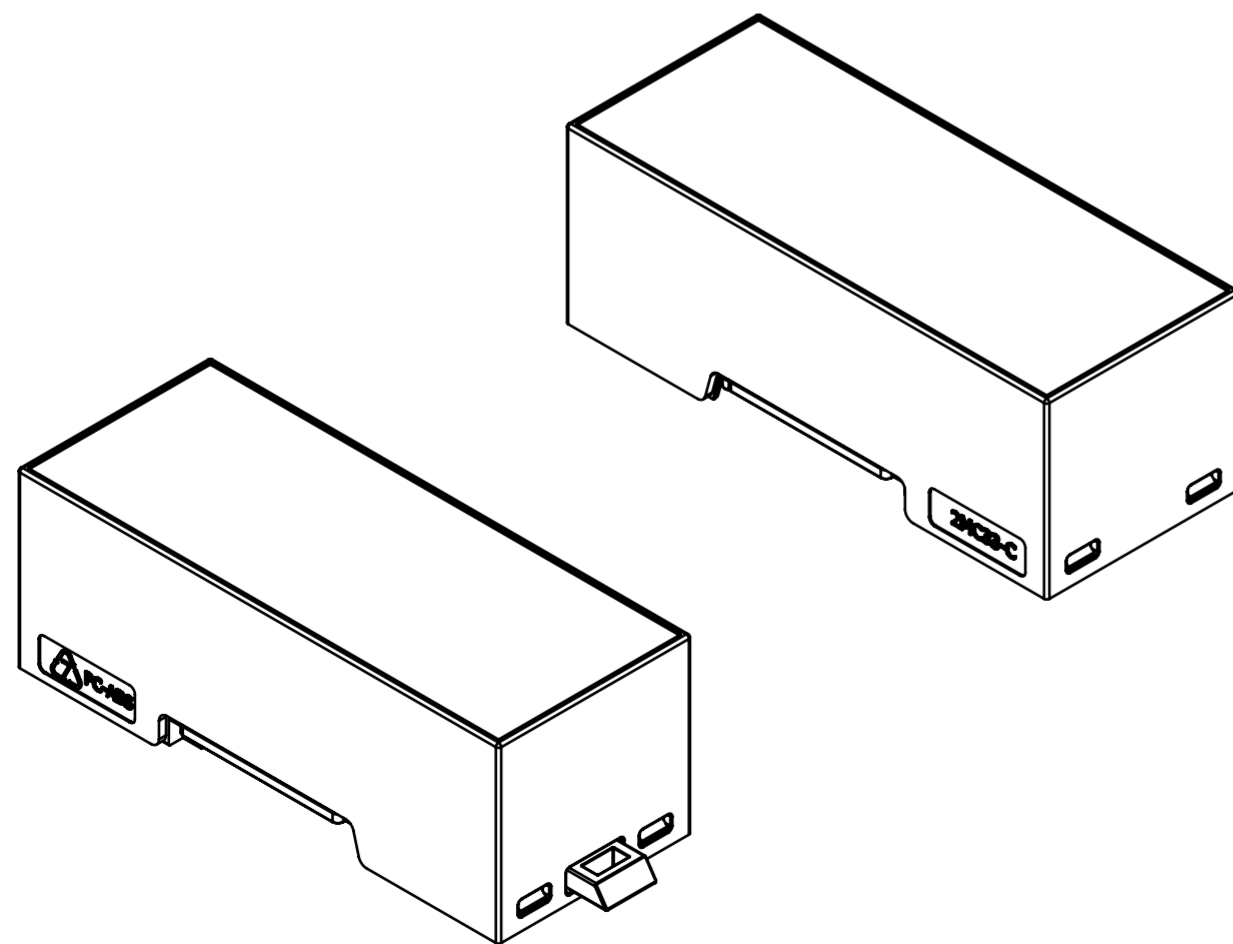
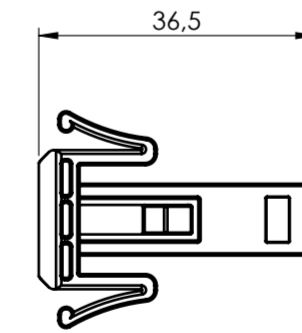
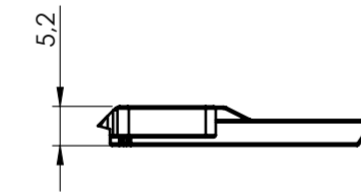
### BODY ENCLOSURE



### BASE



### HOOK




#### General information:

- Workpiece zero point for mechanical processing
- Minimum recommended radius for machining = R1.0 mm
- Mounting rail like EN 60715:TH 35-15
- Recommended PCB outline on [www.italtronic.com](http://www.italtronic.com)
- Medium thickness = 1.5 mm

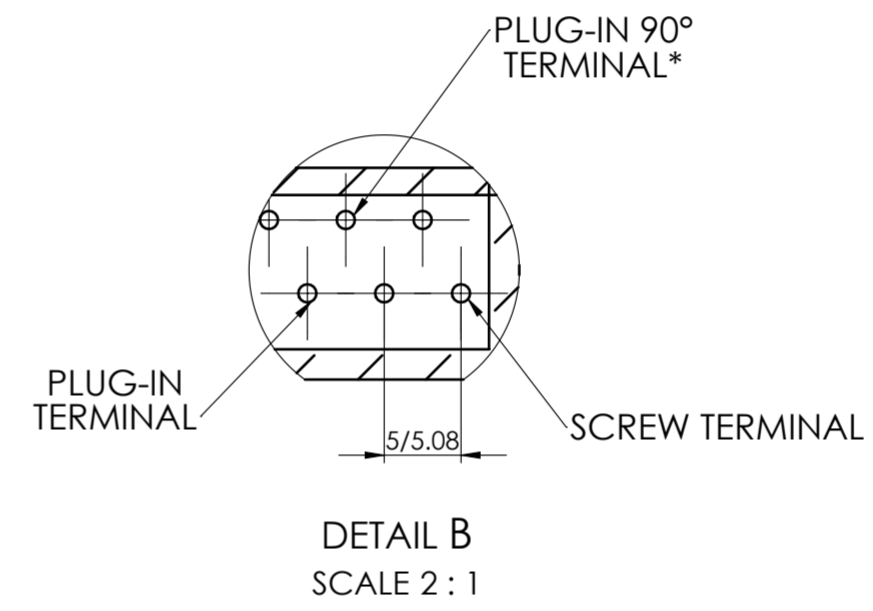
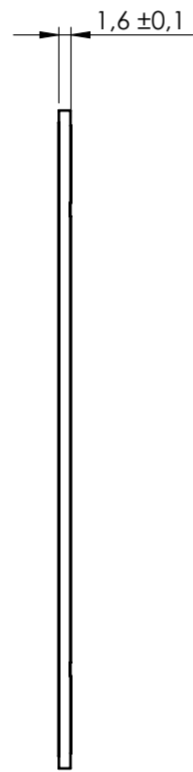
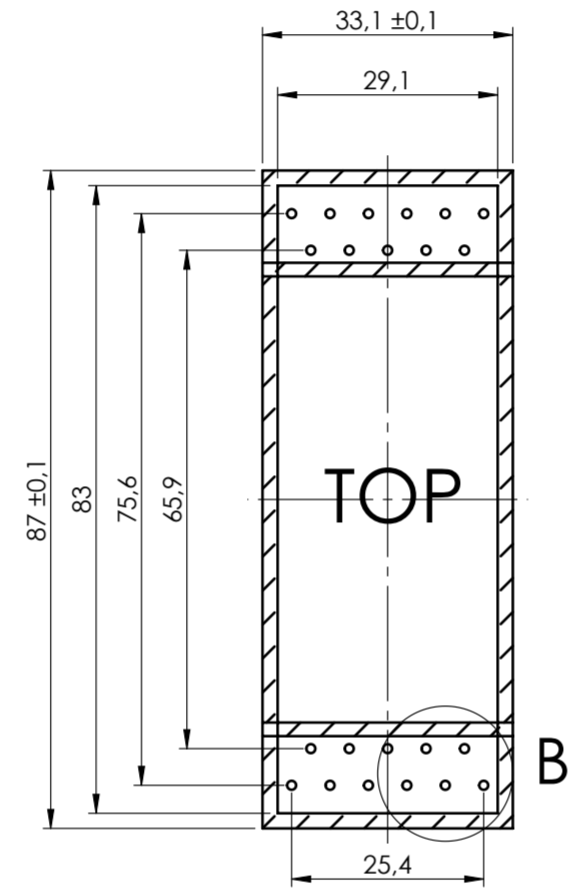
RIF.	Q.TY	DRAWING	DESCRIPTION
1	1	2_250_00139	BASE MODULBOX XT/XTS - 2M
2	1	2_250_00072	HOOK FOR MODULBOX XT-XTS
3	1	2_250_03836	BODY MODULBOX XTS 2MC33-C CLOSED COMPACT

General Tolerance UNI EN 22768/1 Media (m)					Sheet:
from 0.5 to 3	from 3 to 6	from 6 to 30	from 30 to 120	from 120 to 400	1
± 0.1	± 0.1	± 0.2	± 0.3	± 0.5	
Scale:	IM:	Drawn:	Checked:	Date:	Material:
1:1	--	M.S.	R.N.	02/11/2023	Process:
Dimension in mm		Replaces the:		Weight:	Cod. Mold:
		--		gr	--

		Description: KIT CONTENITORE MODULBOX XTS COMPACT 2MC33-C KIT ENCLOSURE MODULBOX XTS COMPACT 2MC33-C		Rev.:
<a href="http://italtronic.com">italtronic.com</a>		Drawing nr.: <b>3_250_00024</b>		<b>00 A2</b>

# PCB A

Max height of the terminal:  
Modulbox XT/XTS: 18.5 mm



General Tolerance UNI EN 22768/1 Media (m)						Sheet:
from 0.5 to 3 ± 0.1	from 3 to 6 ± 0.1	from 6 to 30 ± 0.2	from 30 to 120 ± 0.3	from 120 to 400 ± 0.5		PCB
Scale:	IM:	Drawn:	Checked:	Date:	Material:	Process:
1:1	--	M.S.	R.N.	02/11/2023		
Dimension in mm		<small>The present drawing cannot be reproduced or communicated to 3rd parties, even partially, without the authorization of Italtronic. Italtronic reserves the right to protect its copyrights according to the law.</small>	Replaces the:	Derived from:	Weight:	Cod. Mold:
		--			gr	--
<b>italtronic</b> enclosures for electronics italtronic.com						Description: KIT CONTENITORE MODULBOX XTS COMPACT 2MC33-C KIT ENCLOSURE MODULBOX XTS COMPACT 2MC33-C Drawing nr.: <b>3_250_00024</b>
					Rev.: 00	A2

NO COMPONENTS AREA