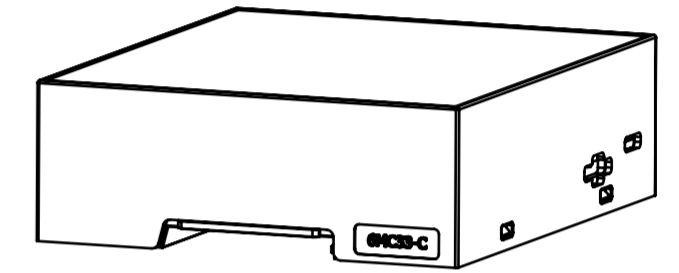
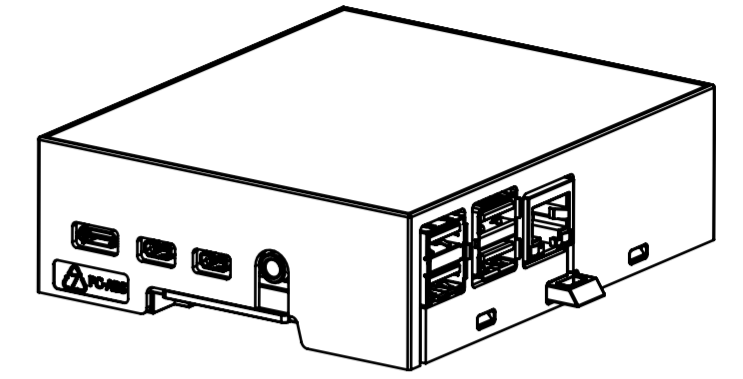
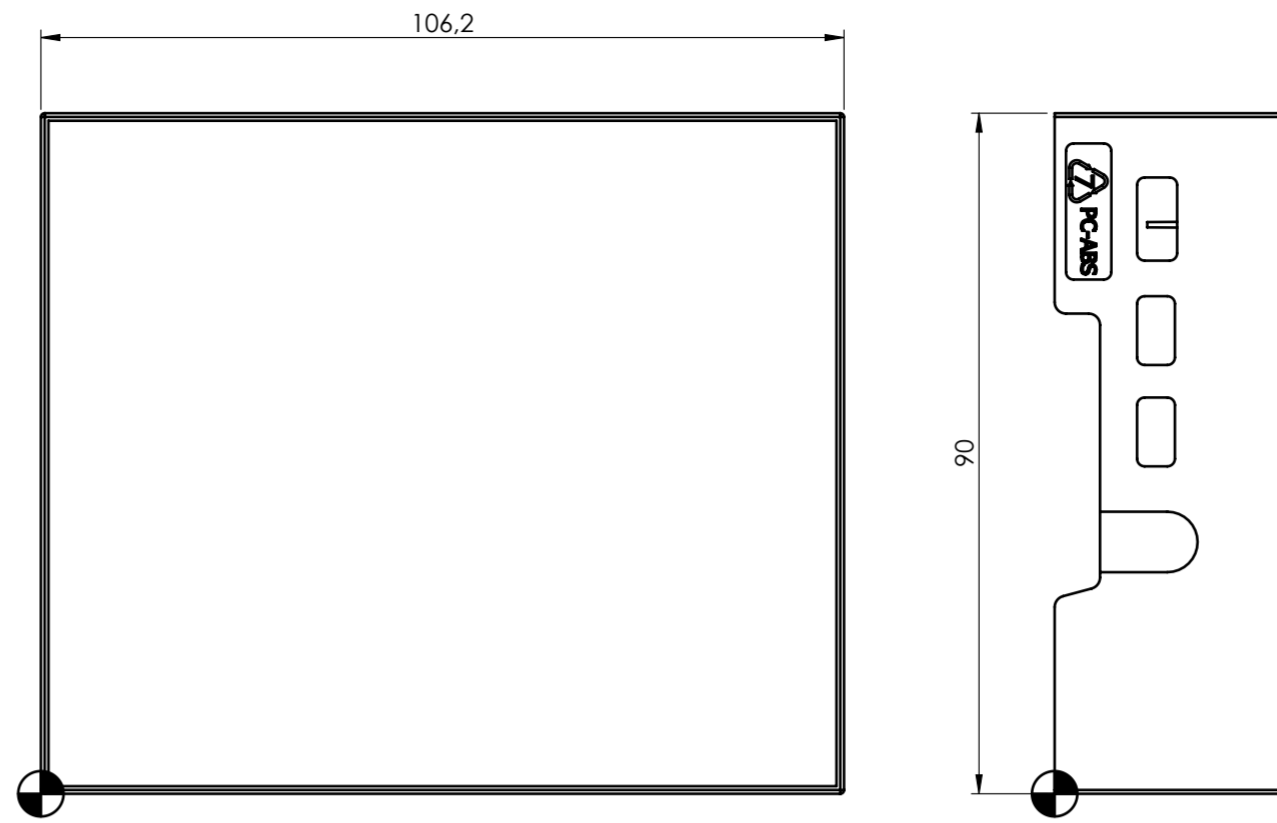


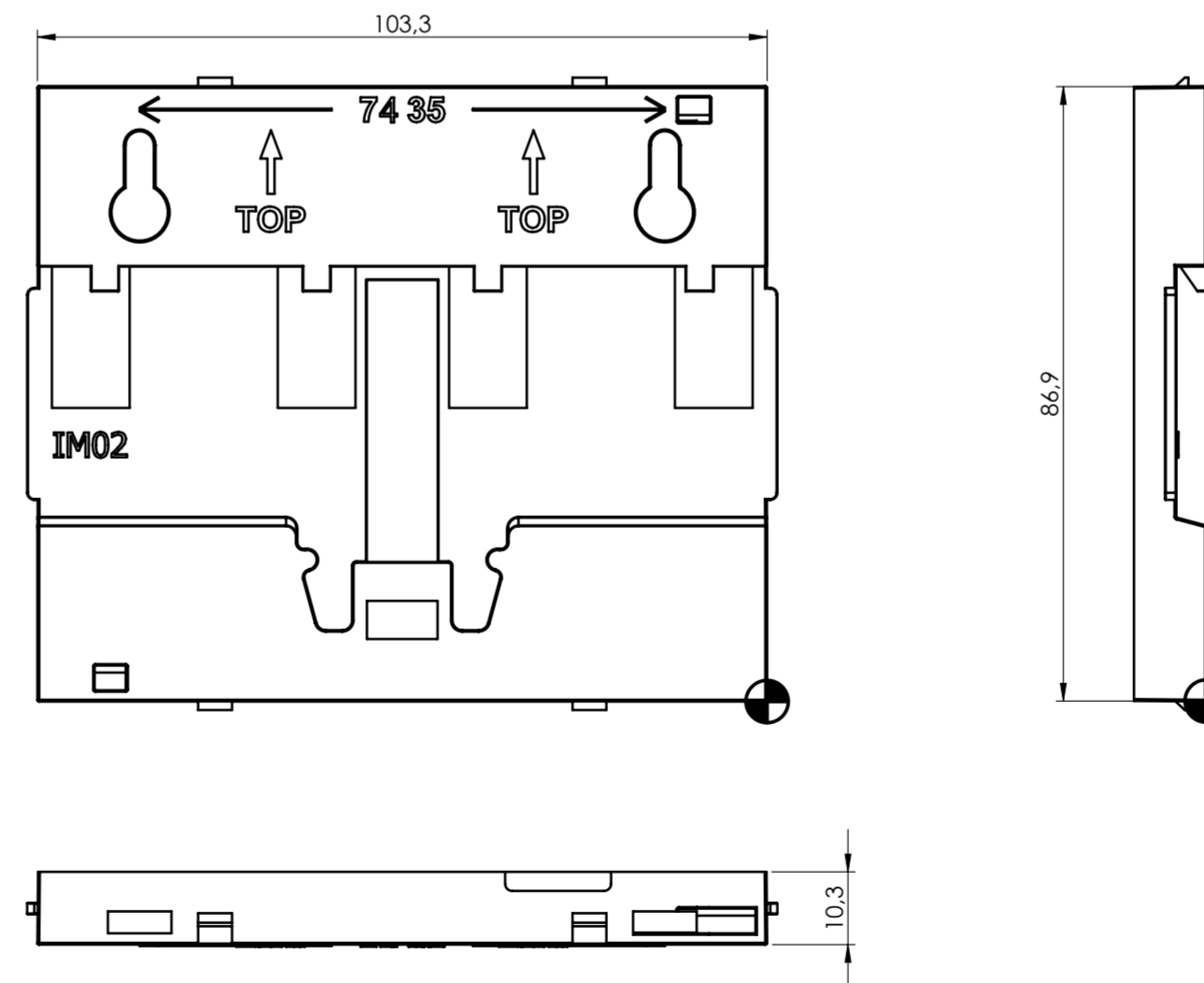
SECTION A-A



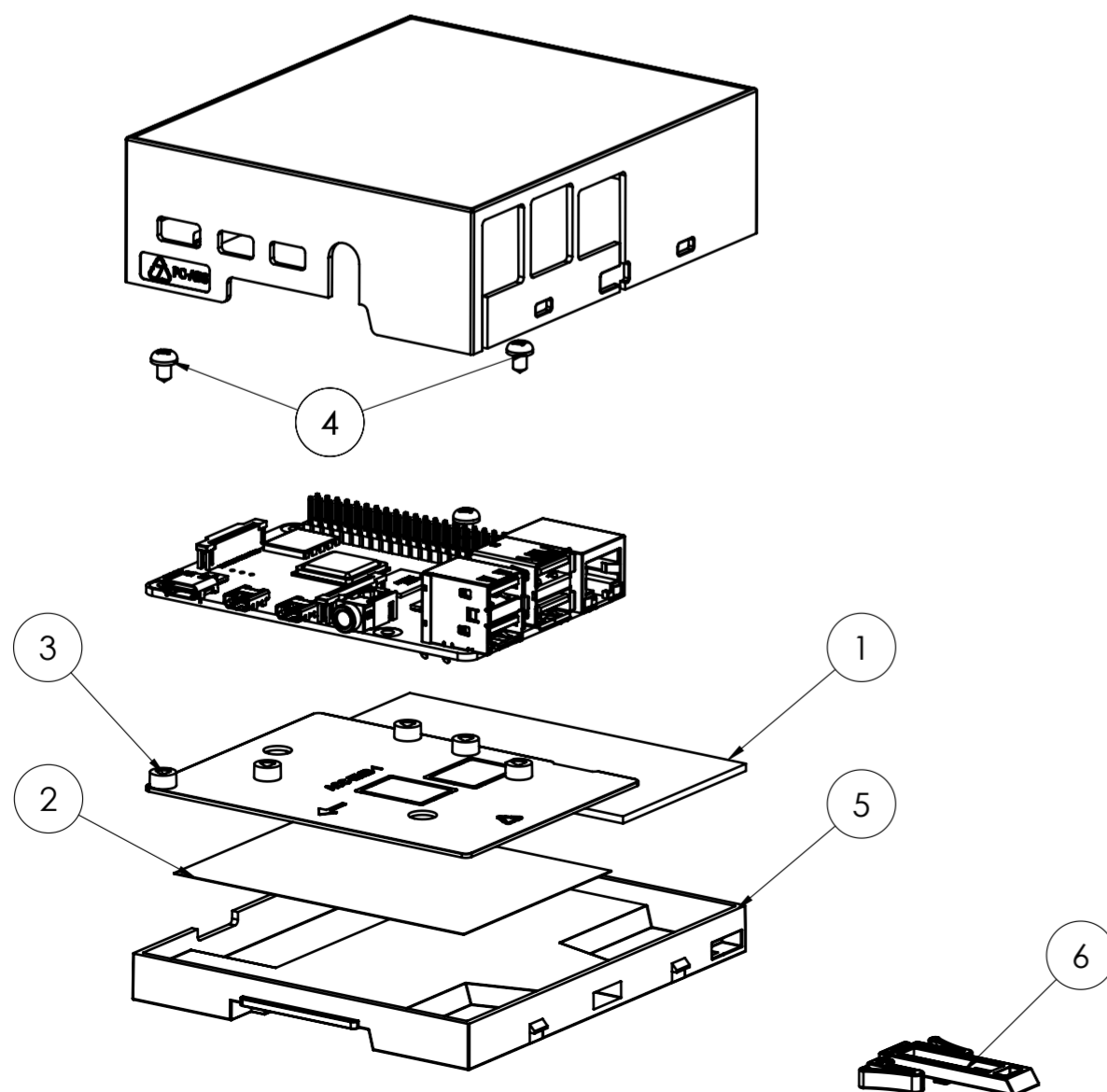
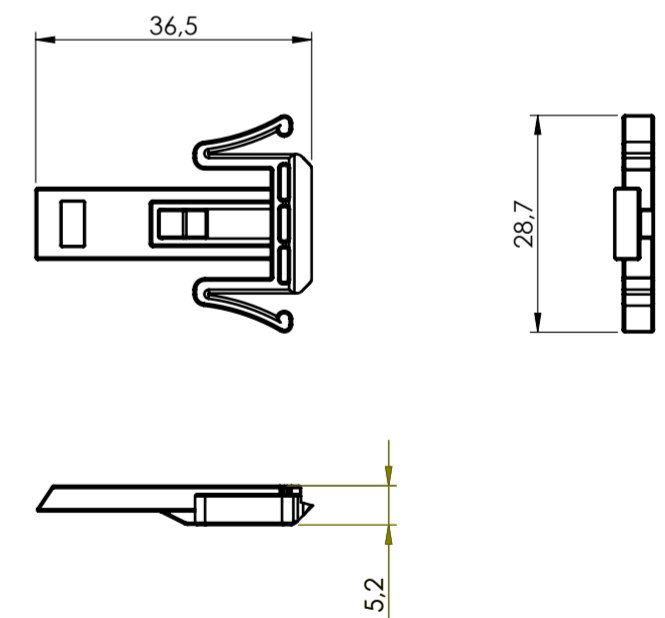
BODY ENCLOSURE



BASE



HOOK



General information:
 - Workpiece zero point for mechanical processing
 - Minimum recommended radius for machining = R1.0 mm
 - Mounting rail like EN 60715: TH 35-7.5 or TH 35-15
 - Recommended PCB outline on www.italtronic.com

RIF.	Q.TY	DRAWING	DESCRIPTION
1	1	8_010_00005	SECONDARY PCB 6M RASPBERRY PI B + / 3
2	1	2_050_00005	ADHESIVE FOR ACCESSORY BASE EMBEDDED
3	1	2_050_00001	ACCESSORY FOR BASE EMBEDDED EMB1
4	3	8_100_00013	SCREW 2.9 X 4.5 TC
5	1	2_050_00029	BASE 6M XT RASPBERRY B+/3
6	1	2_250_00072	HOOK FOR MODULBOX XT-XTS
7	1	2_050_00030	Body enclosure 6M XTS compact Raspberry Pi 4

General Tolerance UNI EN 22768/1 Media (m)						Sheet:
from 0.5 to 3	from 3 to 6	from 6 to 30	from 30 to 120	from 120 to 400		1
± 0.1	± 0.1	± 0.2	± 0.3	± 0.5		
Scale:	IM:	Drawn:	Checked:	Date:	Material:	Process:
1:1	--	M.S.	R.N.	18/03/2024		
	The present drawing cannot be reproduced or communicated to third parties, even partially, without the authorization of Italtronic. Italtronic reserves the right to modify the drawings without notice.		Replaces the:	Derived from:	Weight:	Cod. Mold:
Dimension in mm			--	--	gr	--
 enclosures for electronics italtronic.com						Description: KIT 6M XTS COMPACT RASPBERRY PI 4 CON ACCESSORIO BASE EMBEDDED KIT 6M XTS COMPACT RASPBERRY PI 4 WITH ACCESSORY BASE EMBEDDED Drawing nr.: 3_050_00033 Rev.: - A2