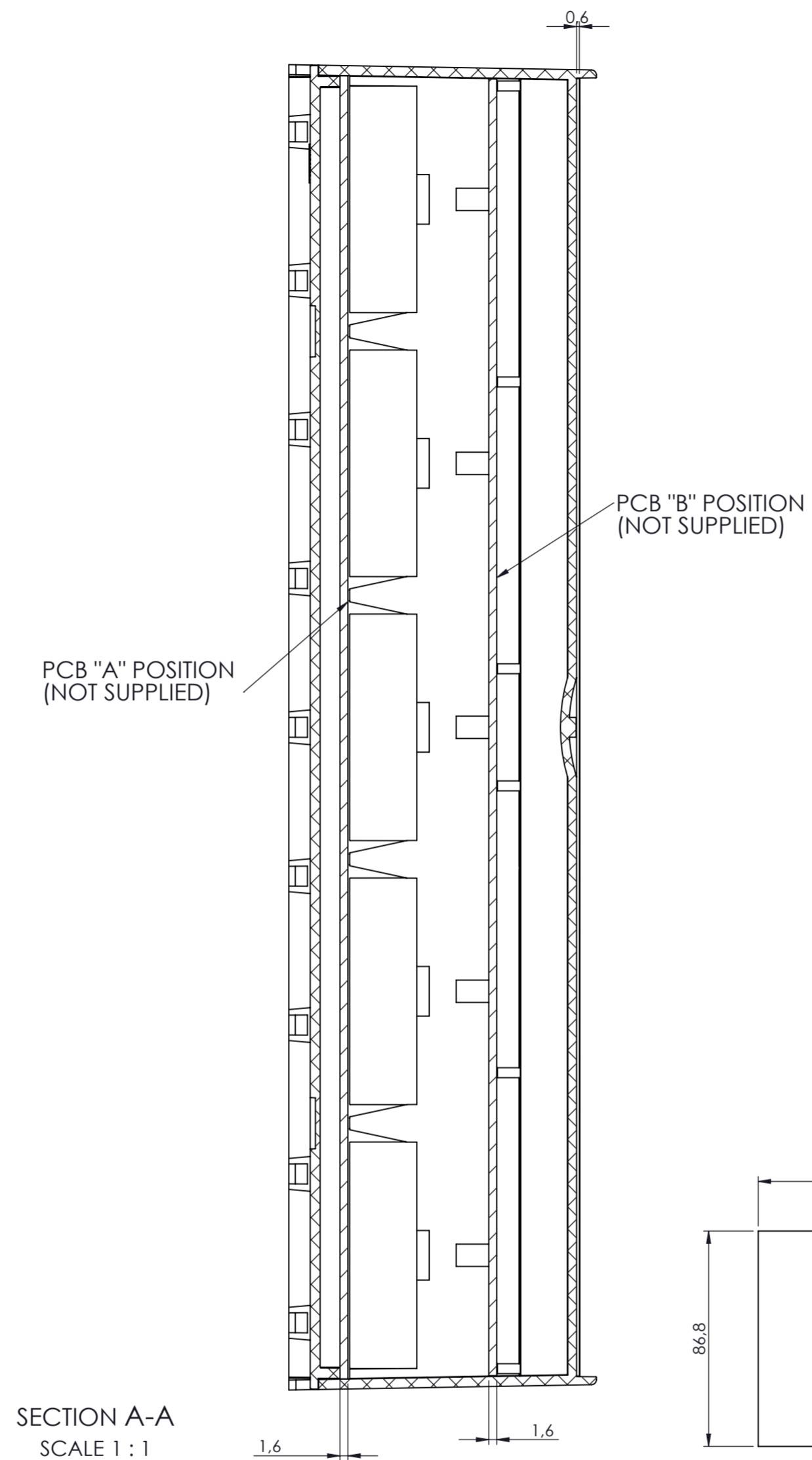
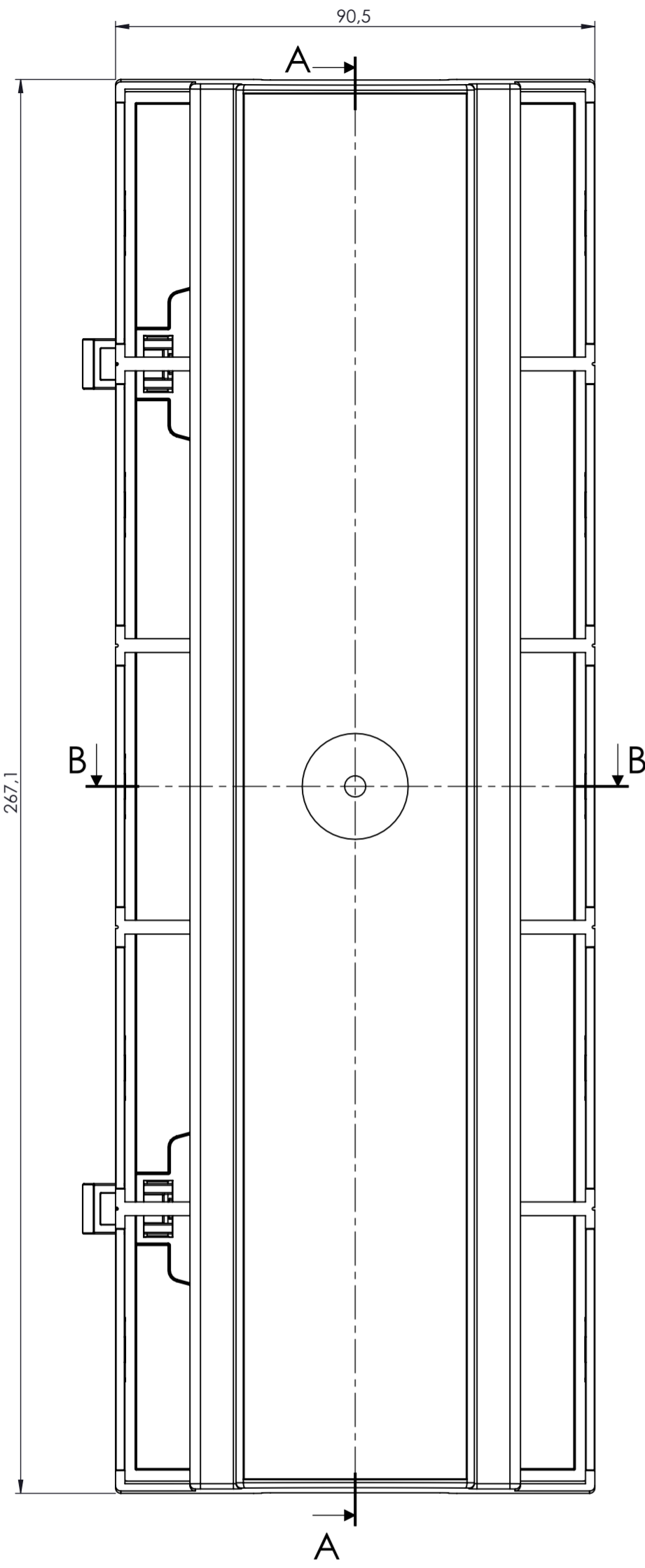
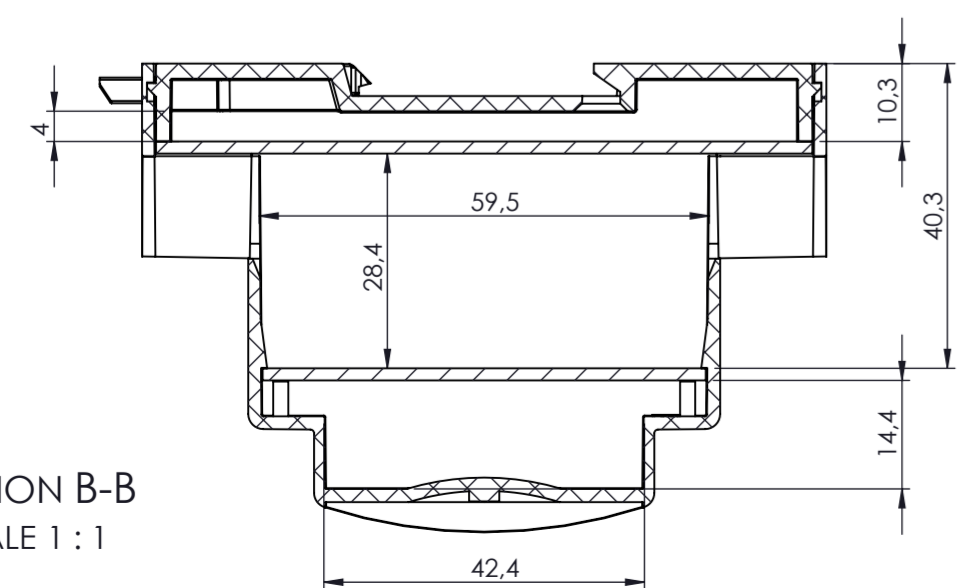
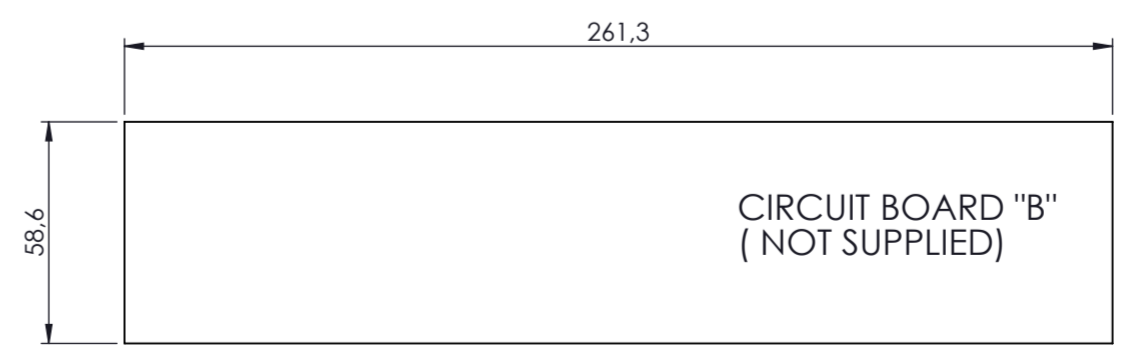
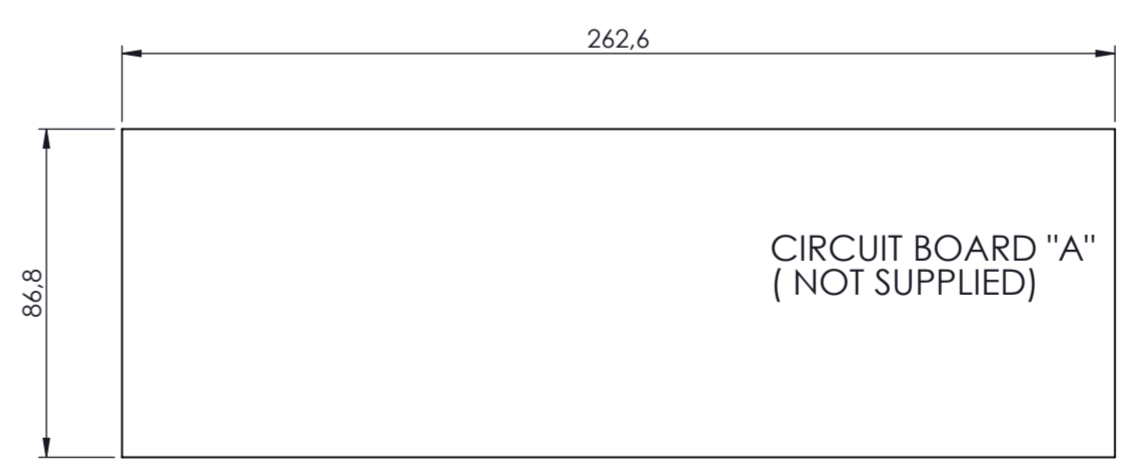
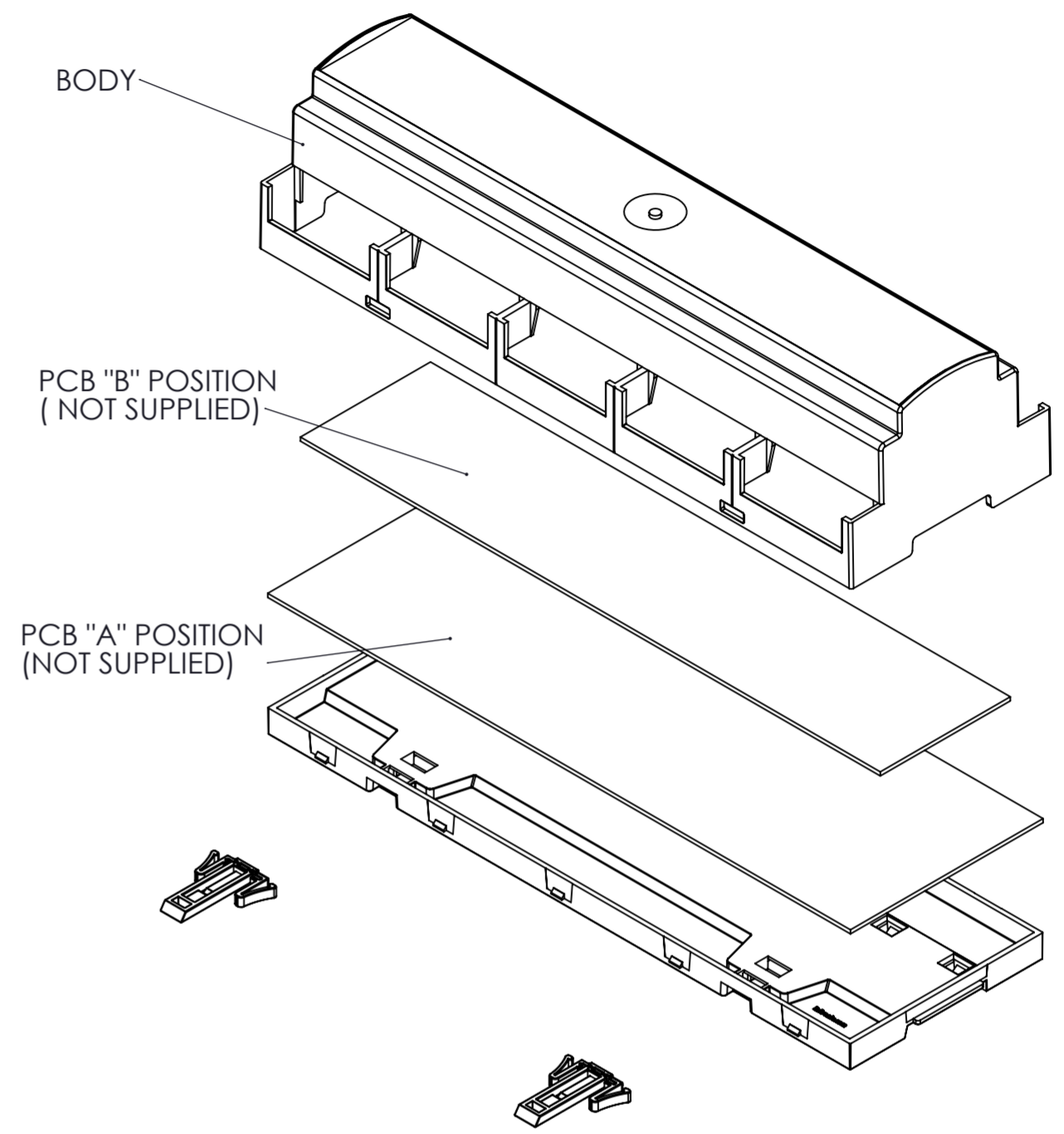


RIF.	Q.TY	DRAWING	DESCRIPTION
1	1	3_250_00058	BASE MODULBOX 15M
2	2	2_250_00072	MODULAR HOOK LONG
3	1	2_250_00090	BODY ENCLOSURE MODULBOX XTS CLOSED 15MHC53-A



SECTION A-A
SCALE 1 : 1



SECTION B-B
SCALE 1 : 1

General Tolerance UNI EN 22768/1 Media (m)				
from 0.5 to 3	from 3 to 6	from 6 to 30	from 30 to 120	from 120 to 400
± 0.1	± 0.1	± 0.2	± 0.3	± 0.5
Scale:	Sheet nr.:	Drawn:	Checked:	Date:
1:2	1/1	R.N.	R.N.	07/09/2020
Dimension in mm		Material:	Weight:	Cod. Mold:
italtronic		Description:		Rev.
enclosures for electronics		KIT CONTENITORE MODULBOX XTS CHIUSO 15MHC53-A		---
italtronic.com		KIT ENCLOSURE MODULBOX XTS CLOSED 15MHC53-A		---
		Drawing nr.		---
		3_250_00058		---

RESERVED PROPERTY OF ITALTRONIC S.p.A. - All rights reserved. No part of this document may be reproduced or transmitted in any form or by any means, electronic or mechanical, including photocopying and recording, or by any information storage or retrieval system, without the prior written permission of ITALTRONIC S.p.A.

A2