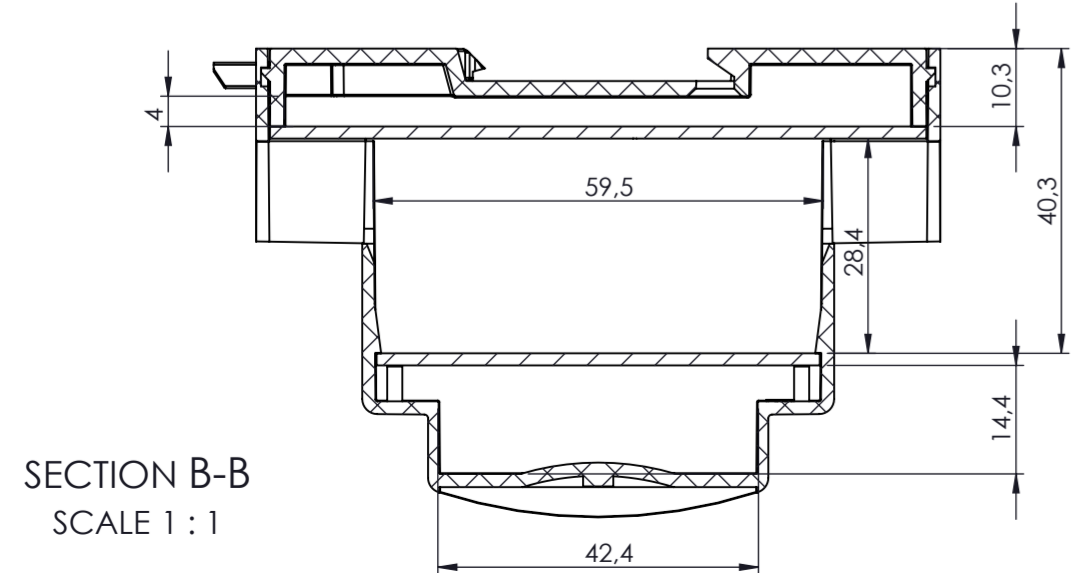
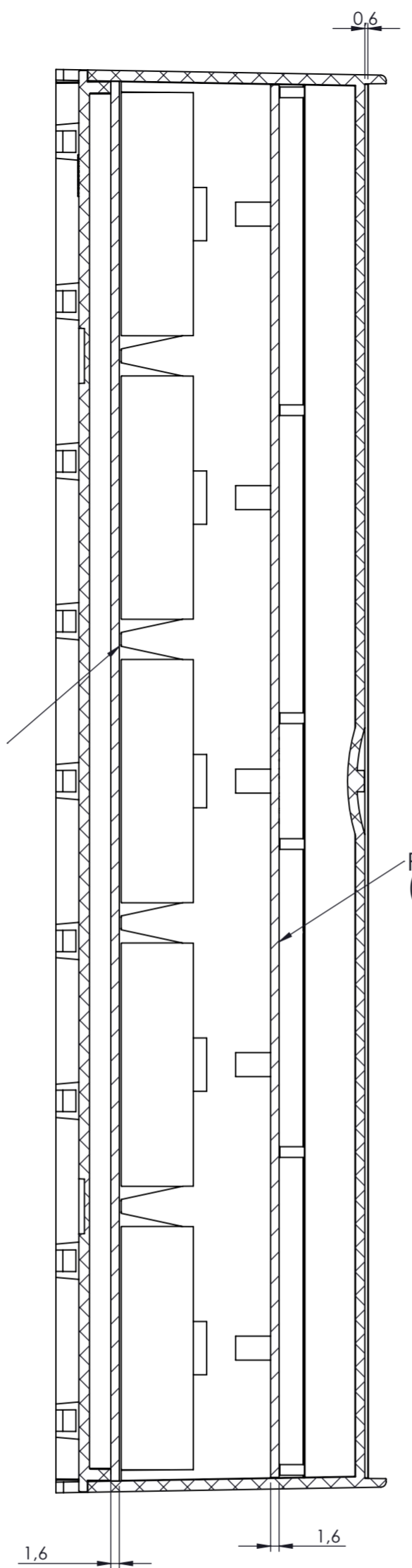
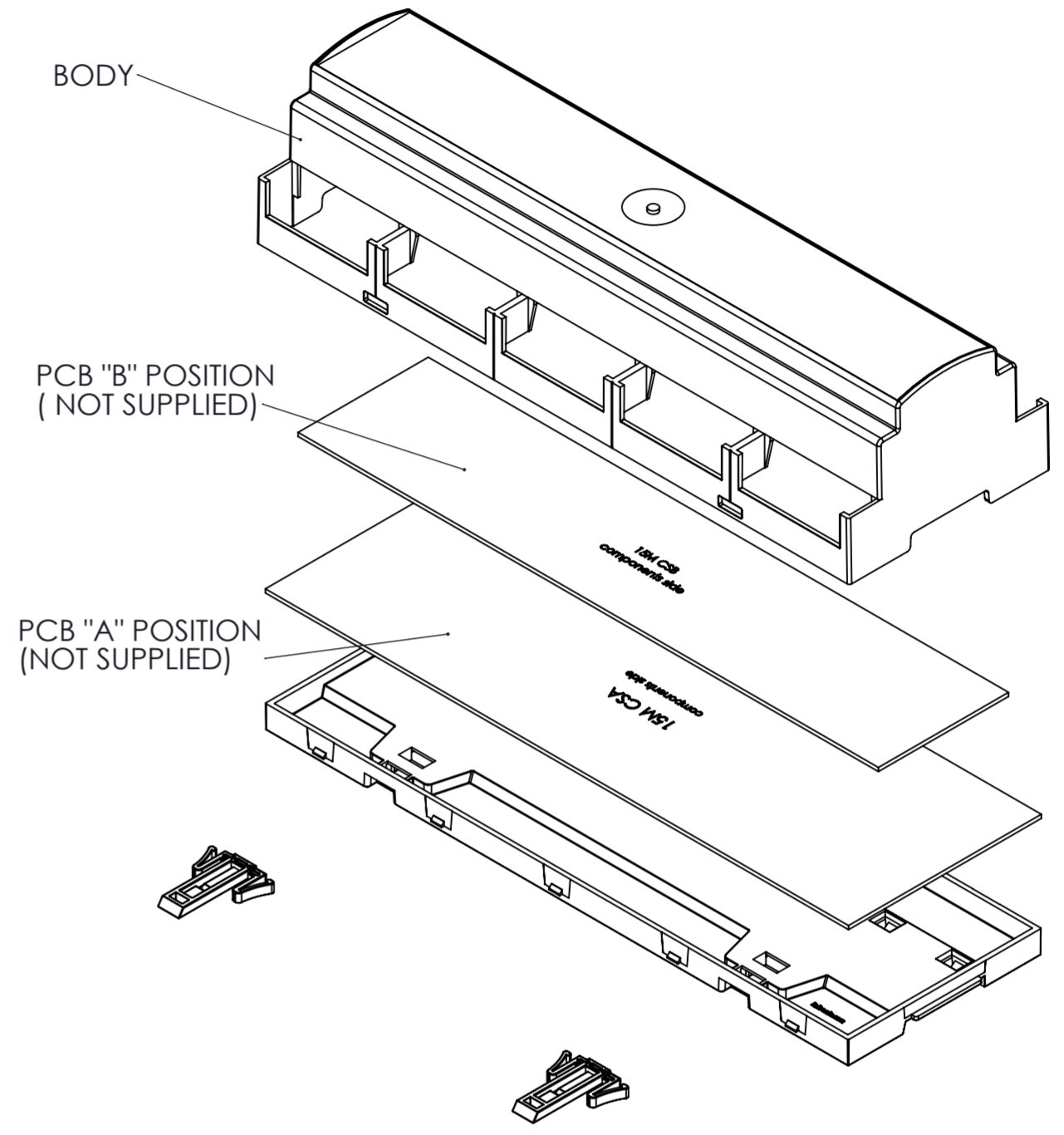


SECTION A-A  
SCALE 1 : 1




SECTION B-B  
SCALE 1 : 1



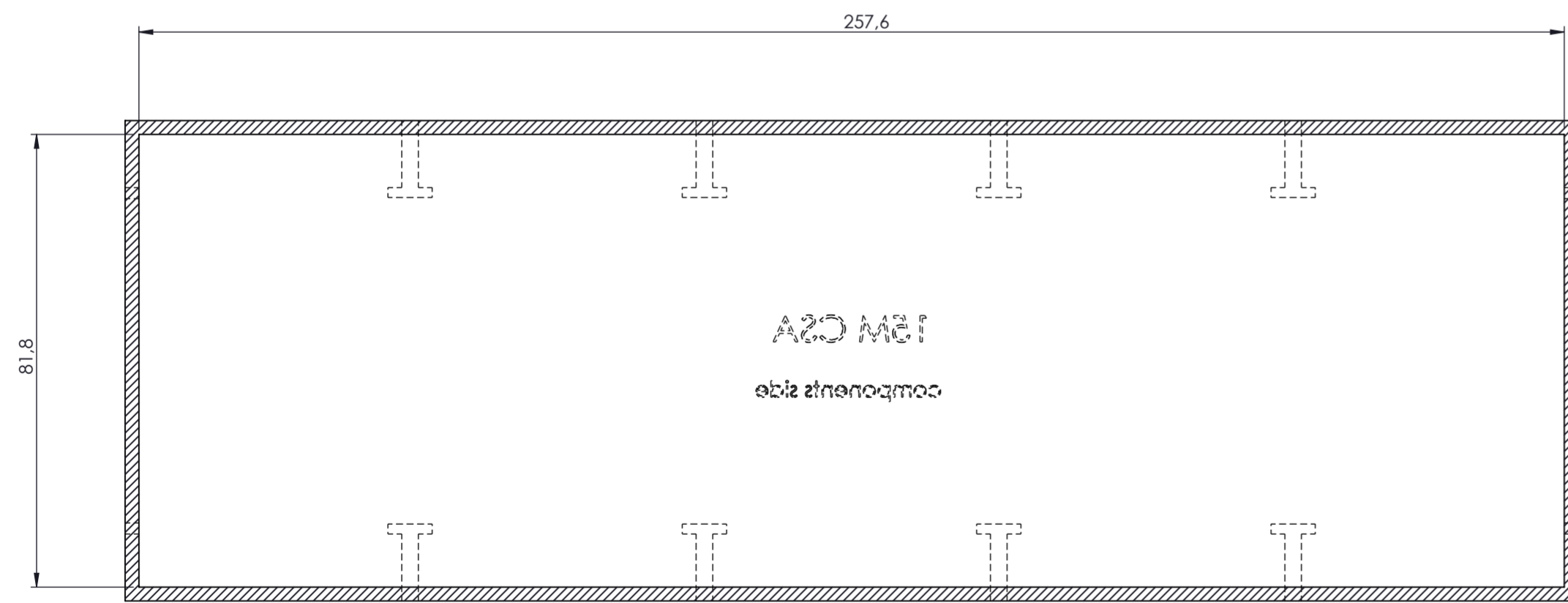
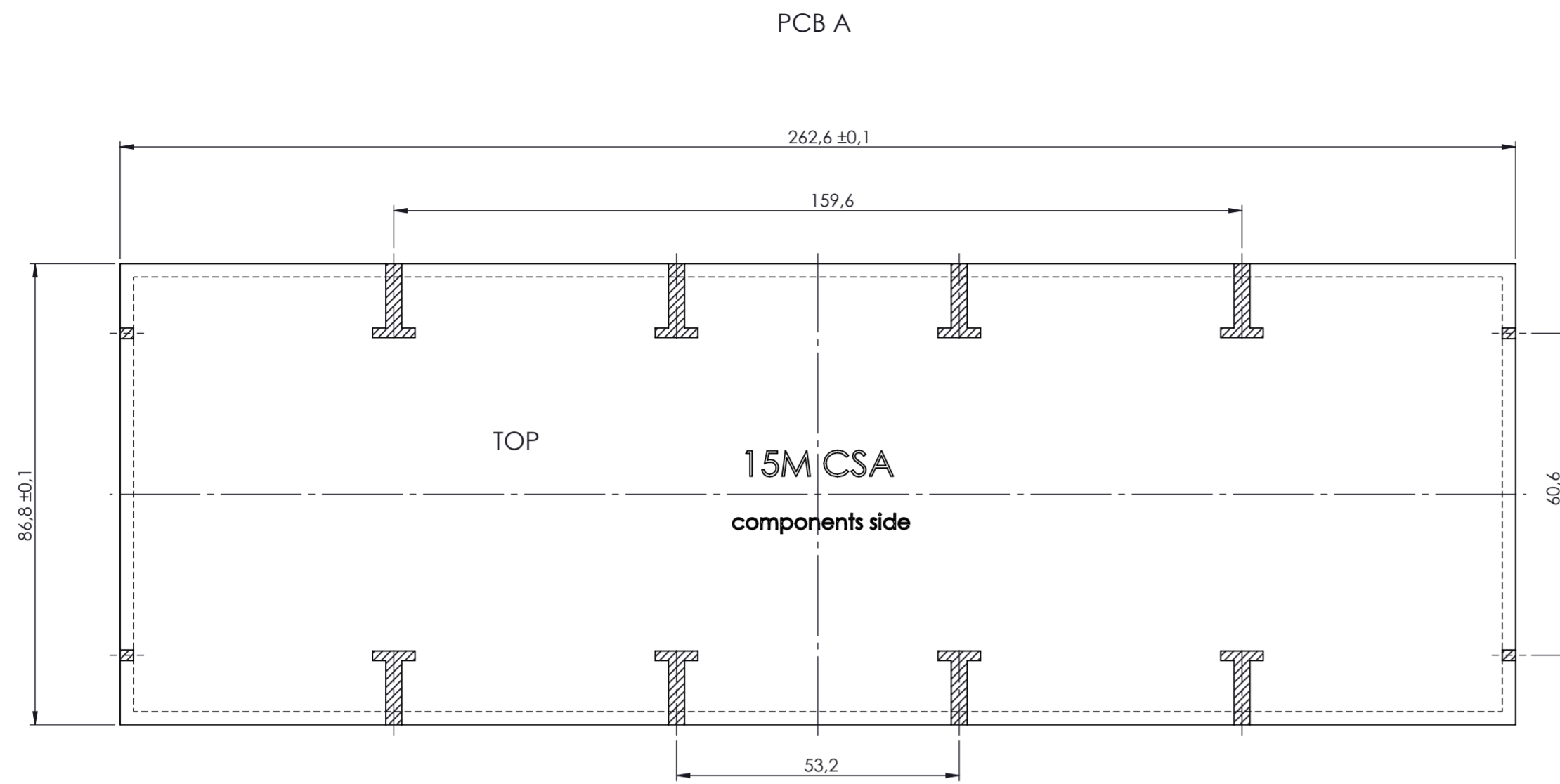
RIF.	Q.TY	DRAWING	DESCRIPTION
1	1	2_250_00091	BASE MODULBOX 15M
2	2	2_250_00072	HOOK FOR MODULBOX XT-XTS
3	1	2_250_00090	BODY ENCLOSURE MODULBOX XTS CLOSED 15MHC53-A

General Tolerance UNI EN 22768/1 Media (m)					Sheet:
from 0.5 to 3 ± 0.1	from 3 to 6 ± 0.1	from 6 to 30 ± 0.2	from 30 to 120 ± 0.3	from 120 to 400 ± 0.5	Foglio 1
Scale: 1:2	IM: --	Drawn: R.N.	Checked: R.N.	Date: 07/09/2020	Process:
Dimension in mm		Replaces the:	Derived from:	Weight: gr	Cod. Mold: --



**italtronic**  
 enclosures for electronics  
 italtronic.com

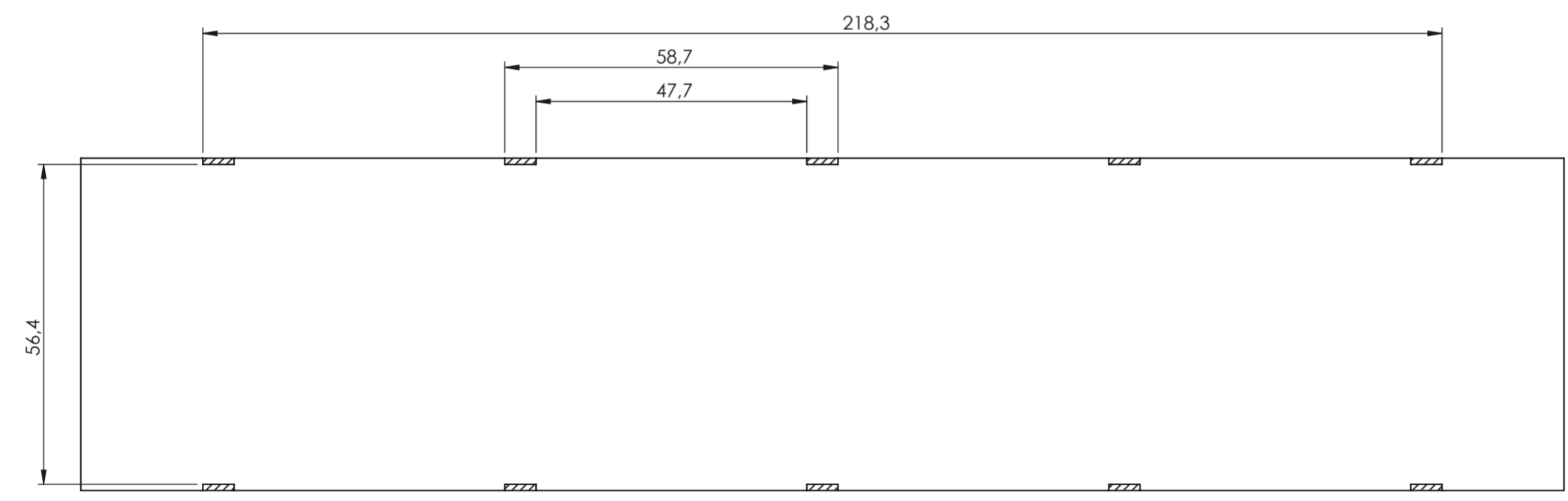
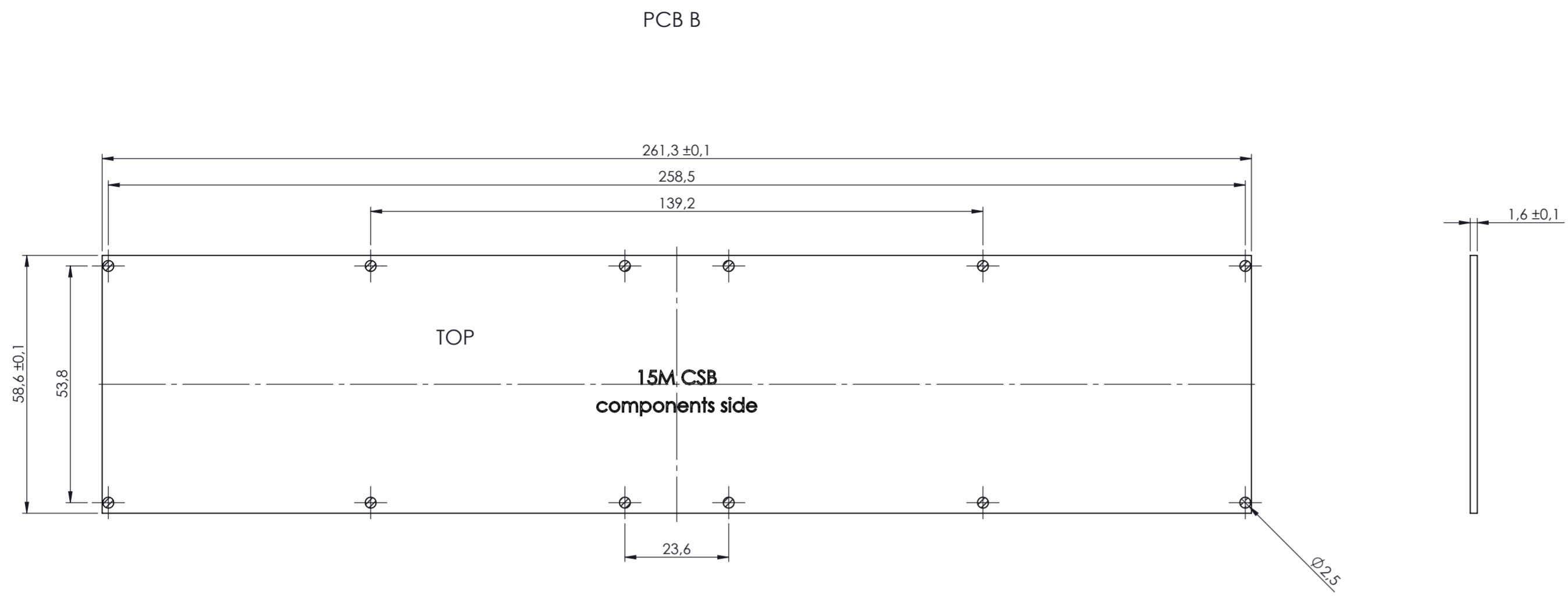
Description:  
 KIT CONTENITORE MODULBOX XTS CHIUSO 15MHC53-A  
 KIT ENCLOSURE MODULBOX XTS CLOSED 15MHC53-A  
 Drawing nr.: **3\_250\_00058**


Rev.: **01** A2



 NO COMPONENTS AREA

General Tolerance UNI EN 22768/1 Media (m)					Sheet:
from 0.5 to 3 ± 0.1	from 3 to 6 ± 0.1	from 6 to 30 ± 0.2	from 30 to 120 ± 0.3	from 120 to 400 ± 0.5	PCB A
Scale:	IM:	Drawn:	Checked:	Date:	Material:
1:1	--	R.N.	R.N.	07/09/2020	--
Dimension in mm		Replaces the:	Derived from:	Weight:	Cod. Mold:
		--	--	gr	--
 enclosures for electronics italtronic.com					Description: KIT CONTENITORE MODULBOX XTS CHIUSO 15MHC53-A KIT ENCLOSURE MODULBOX XTS CLOSED 15MHC53-A Drawing nr.: <b>3_250_00058</b>
					Rev.: <b>01</b>
					<b>A2</b>



General Tolerance UNI EN 22768/1 Media (m)						Sheet:
from 0.5 to 3 ± 0.1	from 3 to 6 ± 0.1	from 6 to 30 ± 0.2	from 30 to 120 ± 0.3	from 120 to 400 ± 0.5		PCB B
Scale:	IM:	Drawn:	Checked:	Date:	Material:	Process:
1:1	--	R.N.	R.N.	07/09/2020		
Dimension in mm		Replaces the:		Derived from:	Weight:	Cod. Mold:
		--		--	gr	--
 enclosures for electronics italtronic.com						Description: KIT CONTENITORE MODULBOX XTS CHIUSO 15MHC53-A KIT ENCLOSURE MODULBOX XTS CLOSED 15MHC53-A Drawing nr.: <b>3_250_00058</b>
					Rev.:	A2
					01	