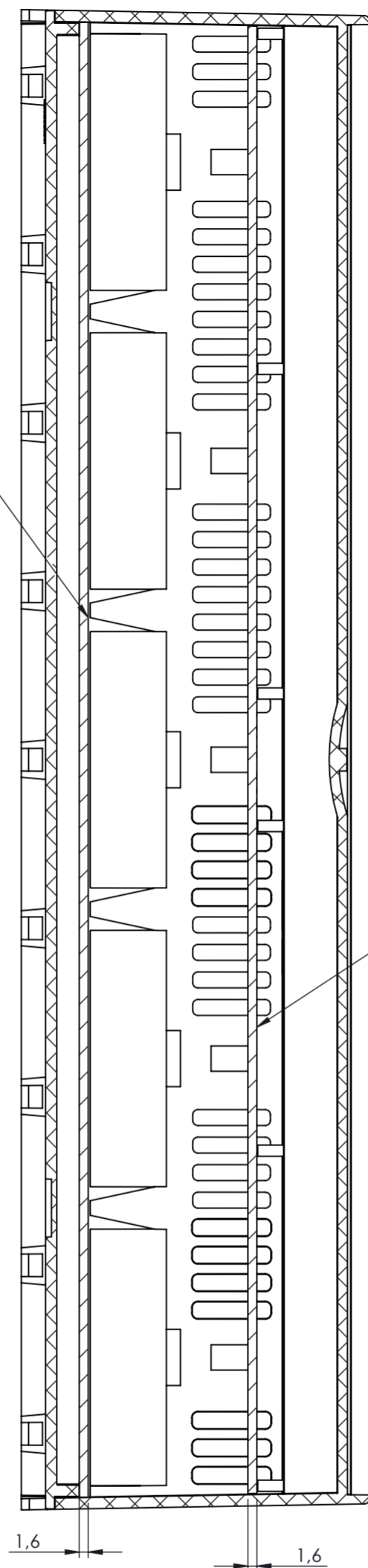
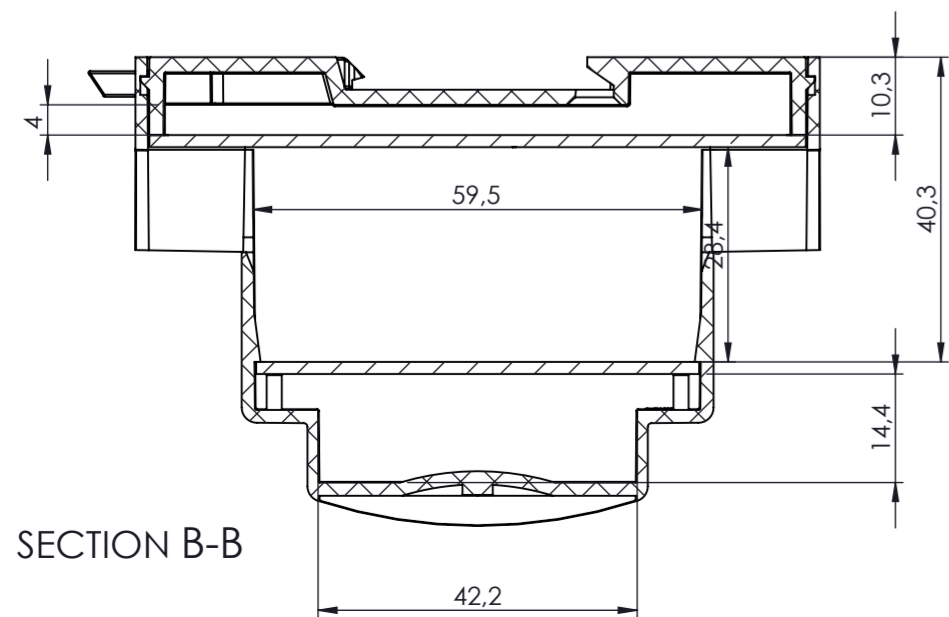


PCB "A" POSITION
(NOT SUPPLIED)

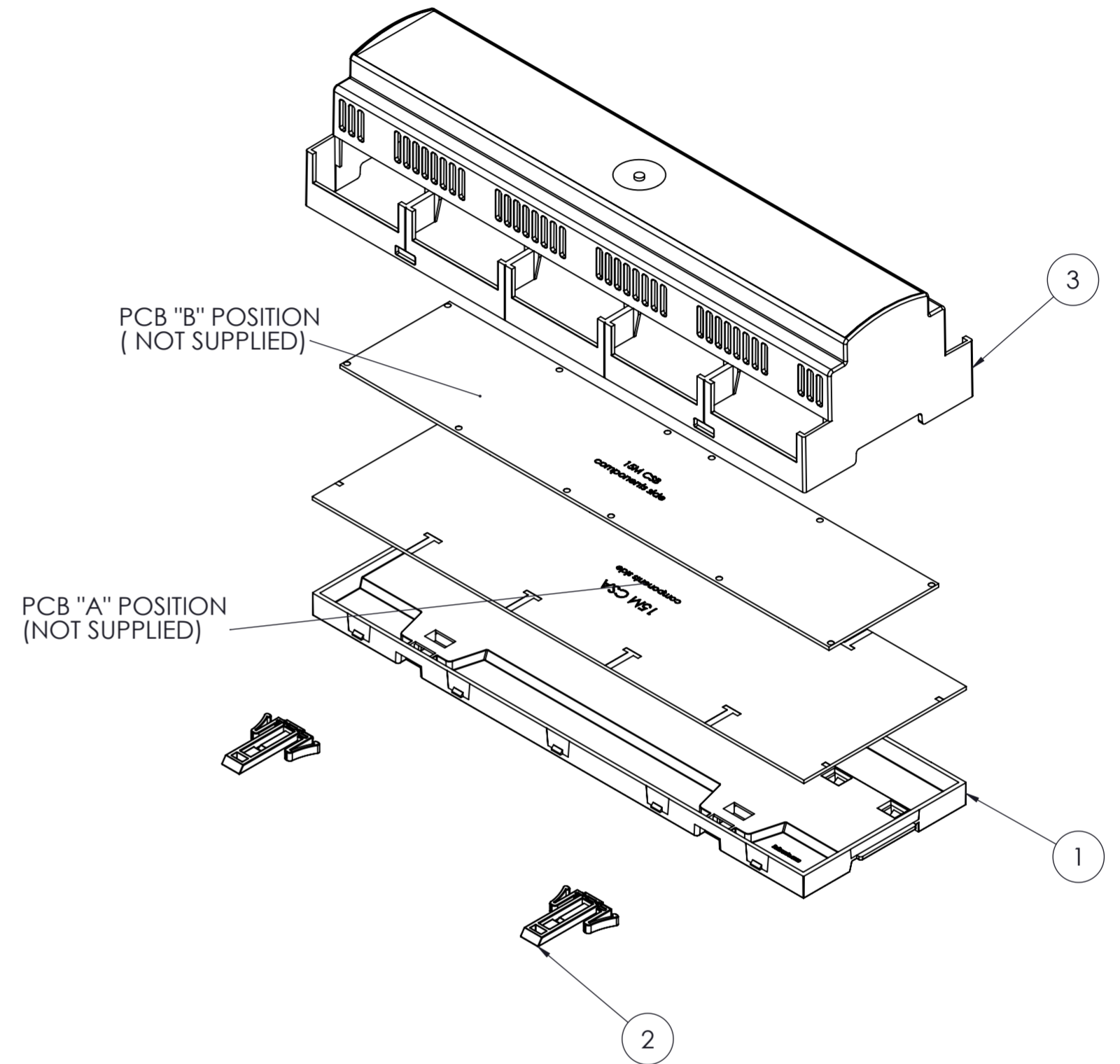


PCB "B" POSITION
(NOT SUPPLIED)

SECTION A-A

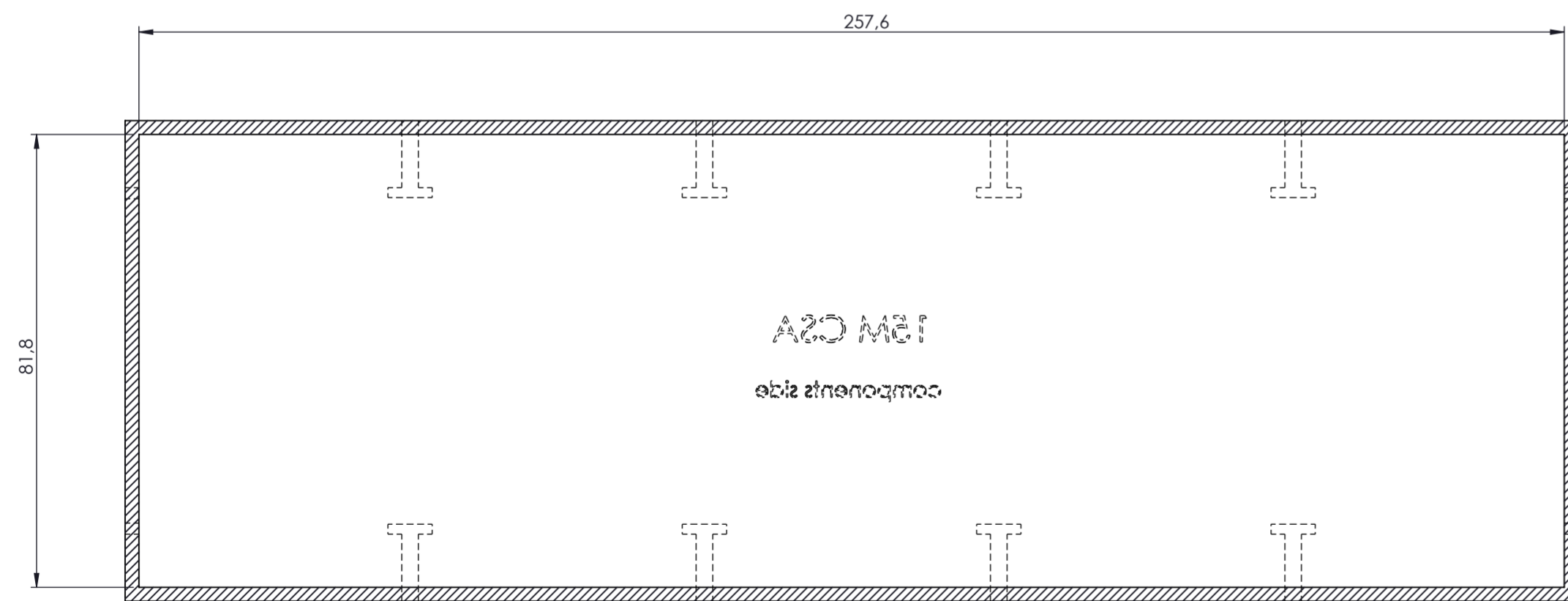
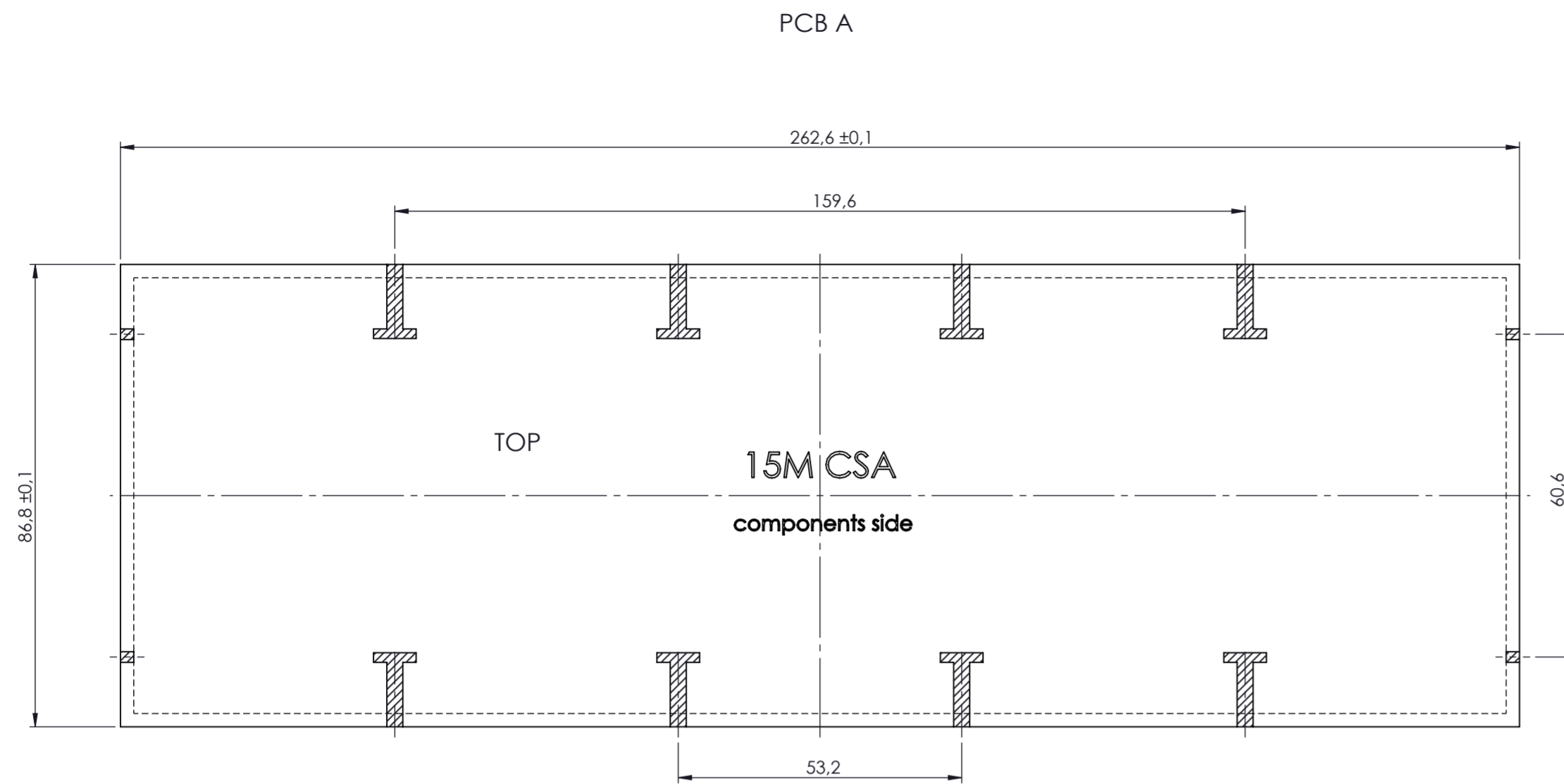


SECTION B-B




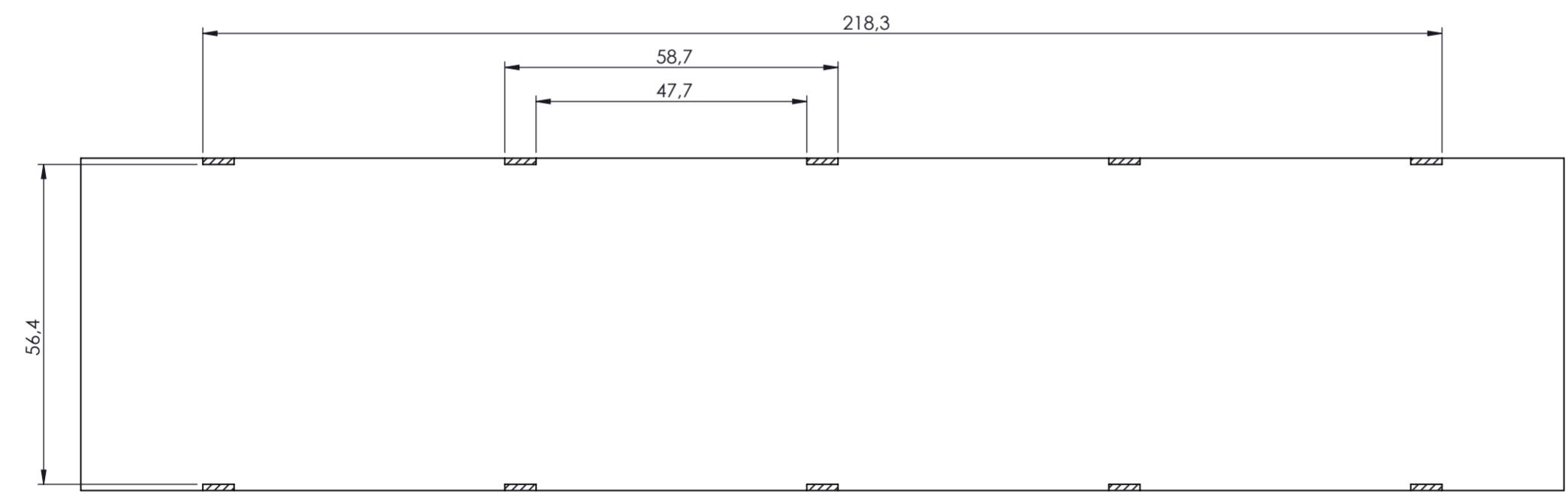
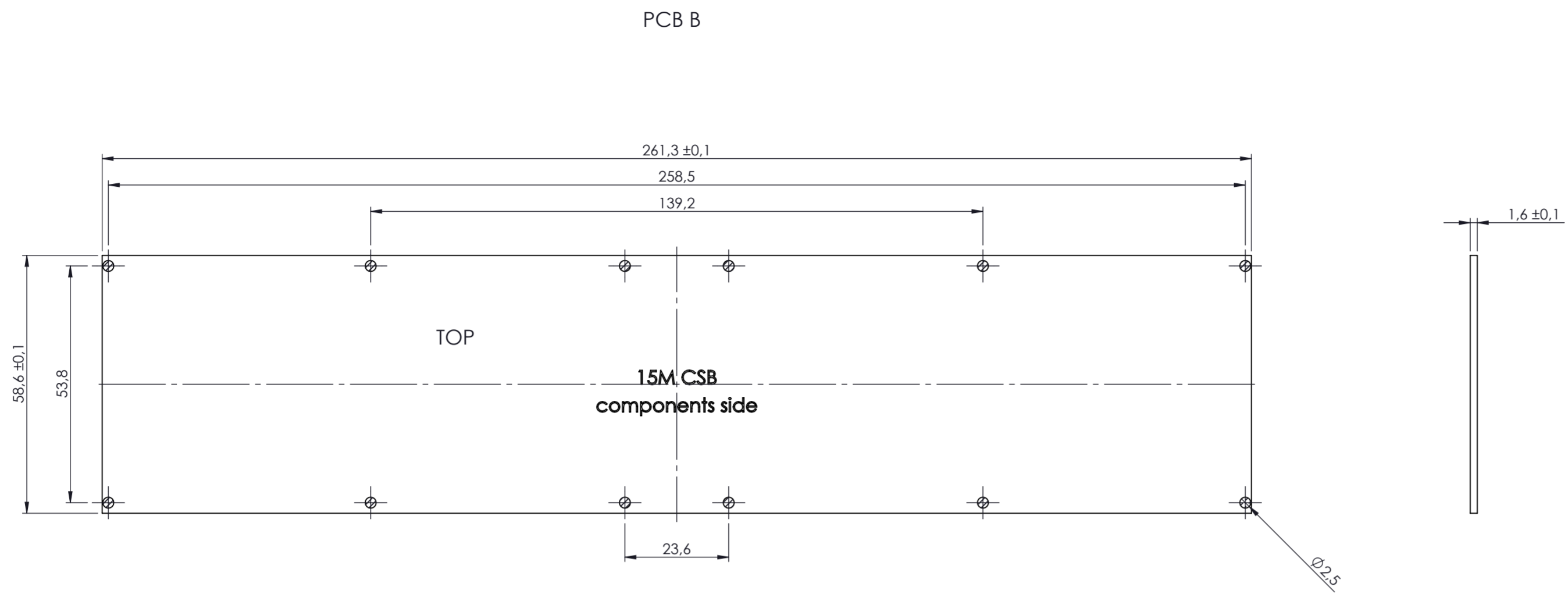
RIF.	Q.TY	DRAWING	DESCRIPTION
1	1	2_250_000 91	BASE MODULBOX 15M
2	2	2_250_00072	HOOK FOR MODULBOX XT-XTS
3	1	2_250_00127	BODY ENCLOSURE MODULBOX XTS VENTILATED CLOSED 15MHC53V-A

General Tolerance UNI EN 22768/1 Media (m)					Sheet:	
from 0.5 to 3 ± 0.1	from 3 to 6 ± 0.1	from 6 to 30 ± 0.2	from 30 to 120 ± 0.3	from 120 to 400 ± 0.5	Foglio 1	
Scale:	IM:	Drawn:	Checked:	Date:	Material:	Process:
1:1	--	B.G.	R.N.	01/02/2021	--	--
Dimension in mm		Replaces the:		Derived from:	Weight:	Cod. Mold:
		--		--	gr	--
italtronic enclosures for electronics italtronic.com						
Description:					Rev.:	
KIT CONTENITORE MODULBOX XTS VENTILATO CHIUSO 15MHC53V-A					01	
KIT CONTENITORE MODULBOX XTS VENTILATED CLOSED 15MHC53V-A					A2	
Drawing nr.:					3_250_00072	



 NO COMPONENTS AREA

General Tolerance UNI EN 22768/1 Media (m)					Sheet:
from 0.5 to 3 ± 0.1	from 3 to 6 ± 0.1	from 6 to 30 ± 0.2	from 30 to 120 ± 0.3	from 120 to 400 ± 0.5	PCB A
Scale: 1:1	IM: --	Drawn: B.G.	Checked: R.N.	Date: 01/02/2021	Process:
Dimension in mm		Replaces the:	Derived from:	Weight: gr	Cod. Mold: --
 italtronic enclosures for electronics italtronic.com					Description: KIT CONTENITORE MODULBOX XTS VENTILATO CHIUSO 15MHC53V-A KIT CONTENITORE MODULBOX XTS VENTILATED CLOSED 15MHC53V-A Drawing nr.: 3_250_00072 Rev.: 01
					A2



NO COMPONENTS AREA

General Tolerance UNI EN 22768/1 Media (m)						Sheet:	
from 0.5 to 3 ± 0.1	from 3 to 6 ± 0.1	from 6 to 30 ± 0.2	from 30 to 120 ± 0.3	from 120 to 400 ± 0.5		PCB B	
Scale:	IM:	Drawn:	Checked:	Date:	Material:	Process:	
1:1	--	B.G.	R.N.	01/02/2021			
Dimension in mm		Replaces the:		Derived from:	Weight:	Cod. Mold:	
		--		--	gr	--	
 italtronic enclosures for electronics italtronic.com		Description: KIT CONTENITORE MODULBOX XTS VENTILATO CHIUSO 15MHC53V-A KIT CONTENITORE MODULBOX XTS VENTILATED CLOSED 15MHC53V-A Drawing nr.: 3_250_00072				Rev.: 01	A2