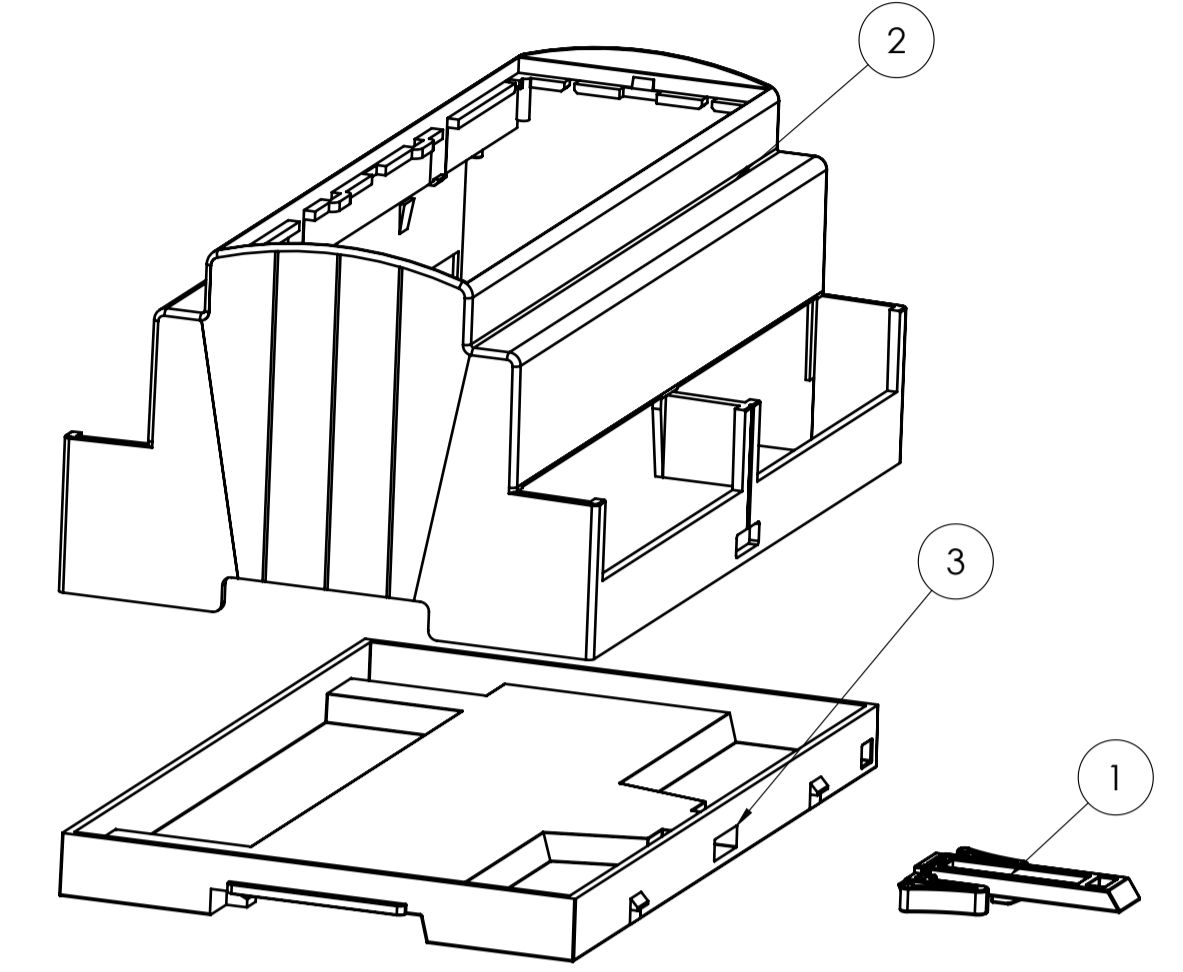
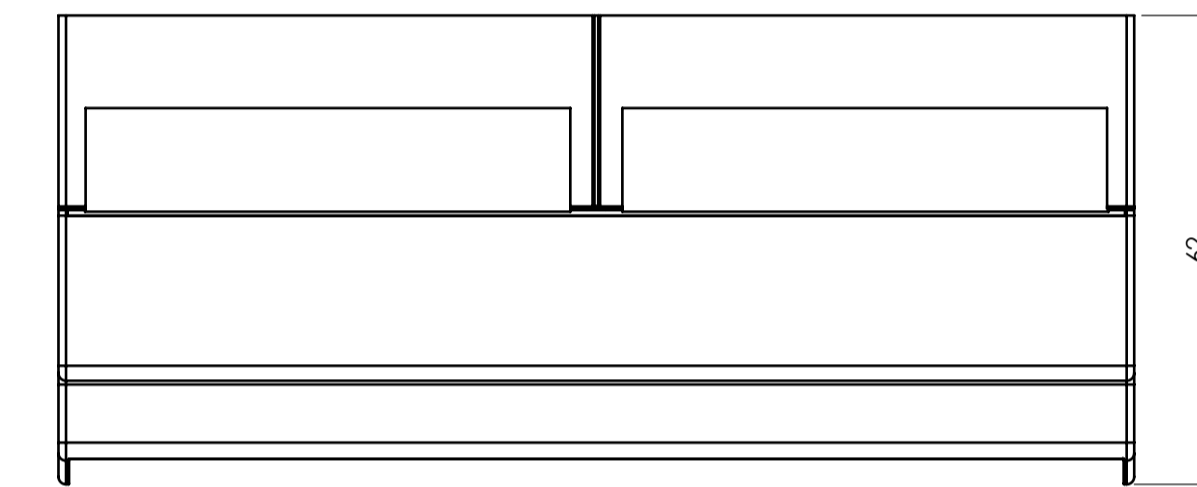
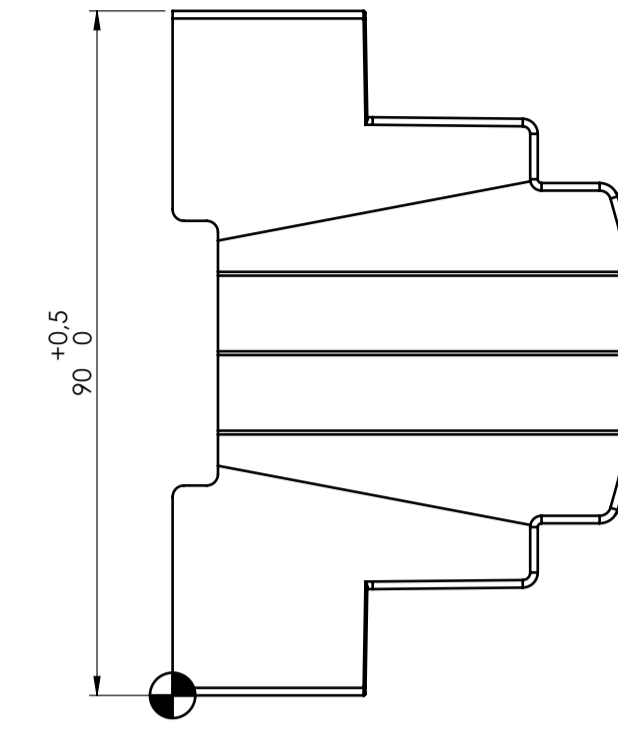
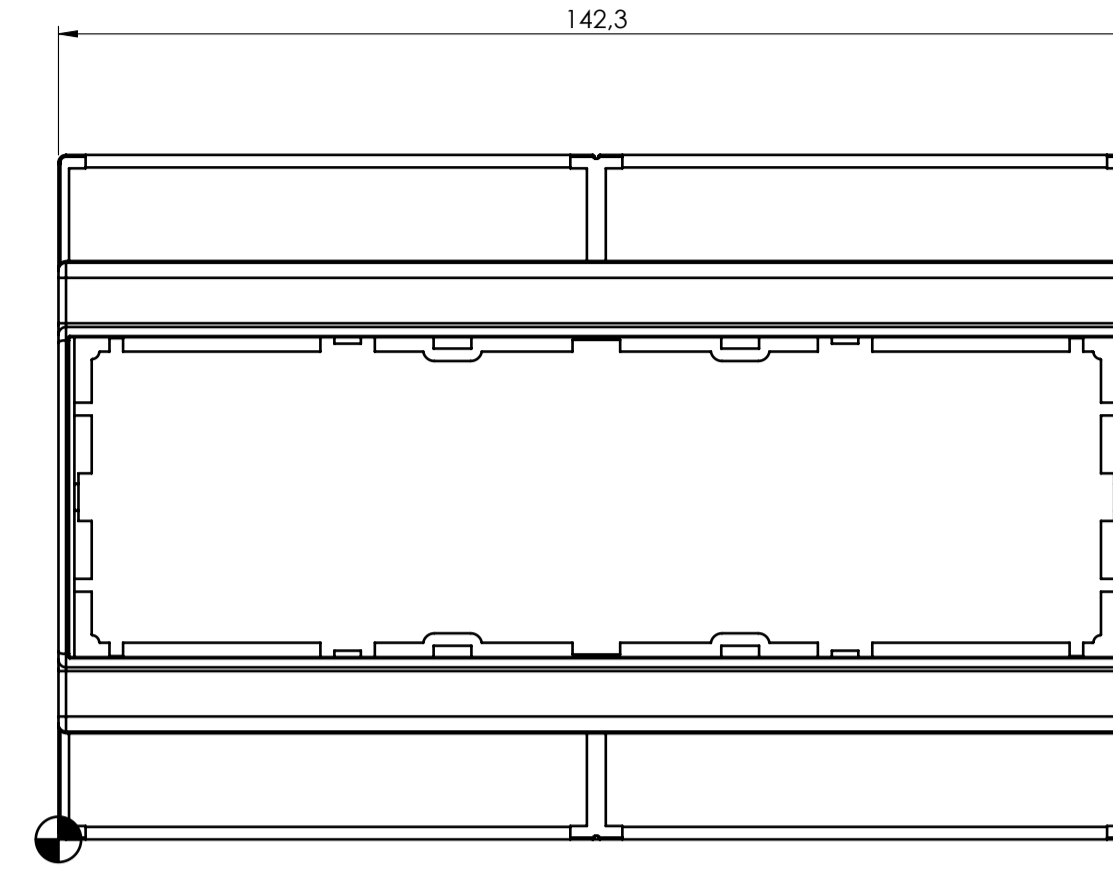
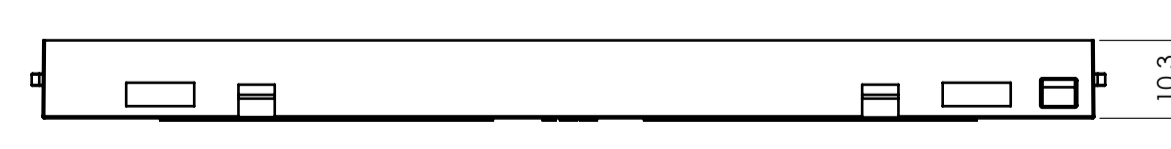
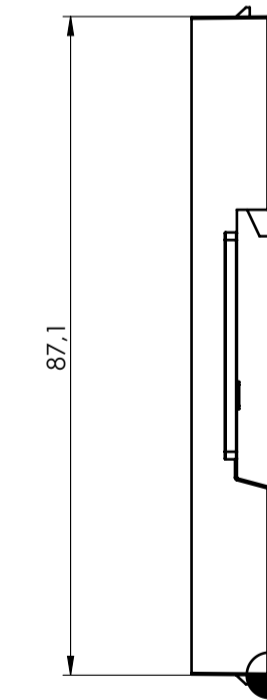
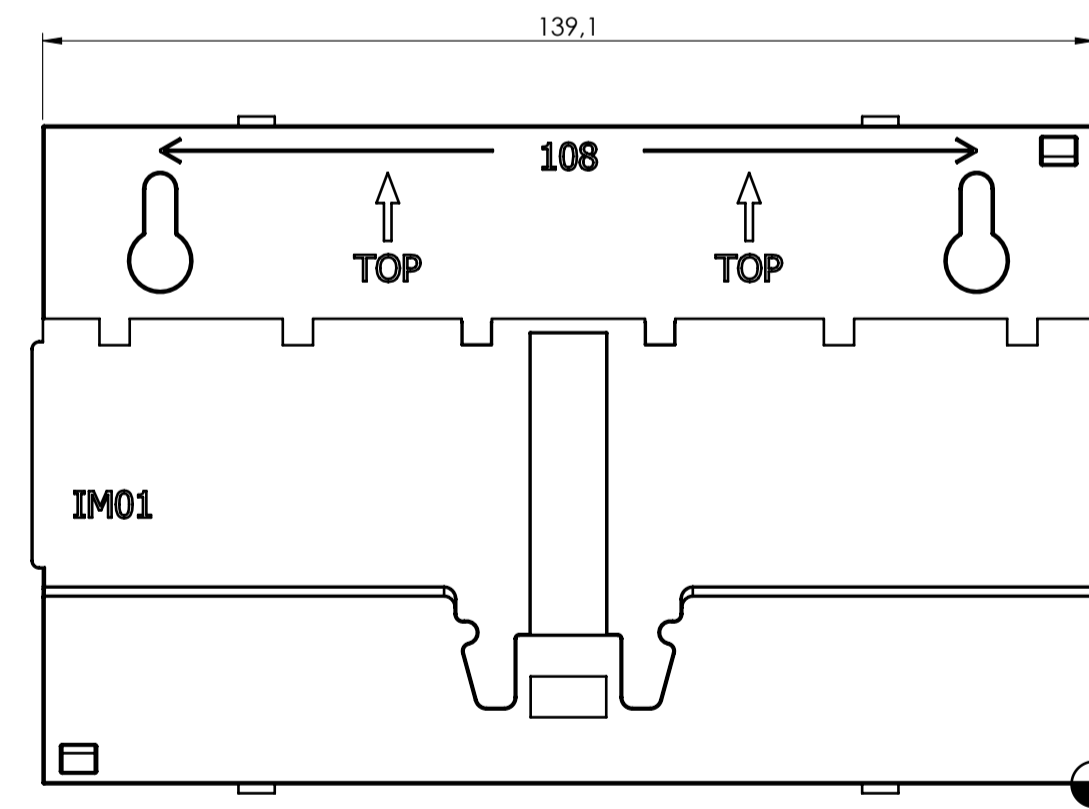


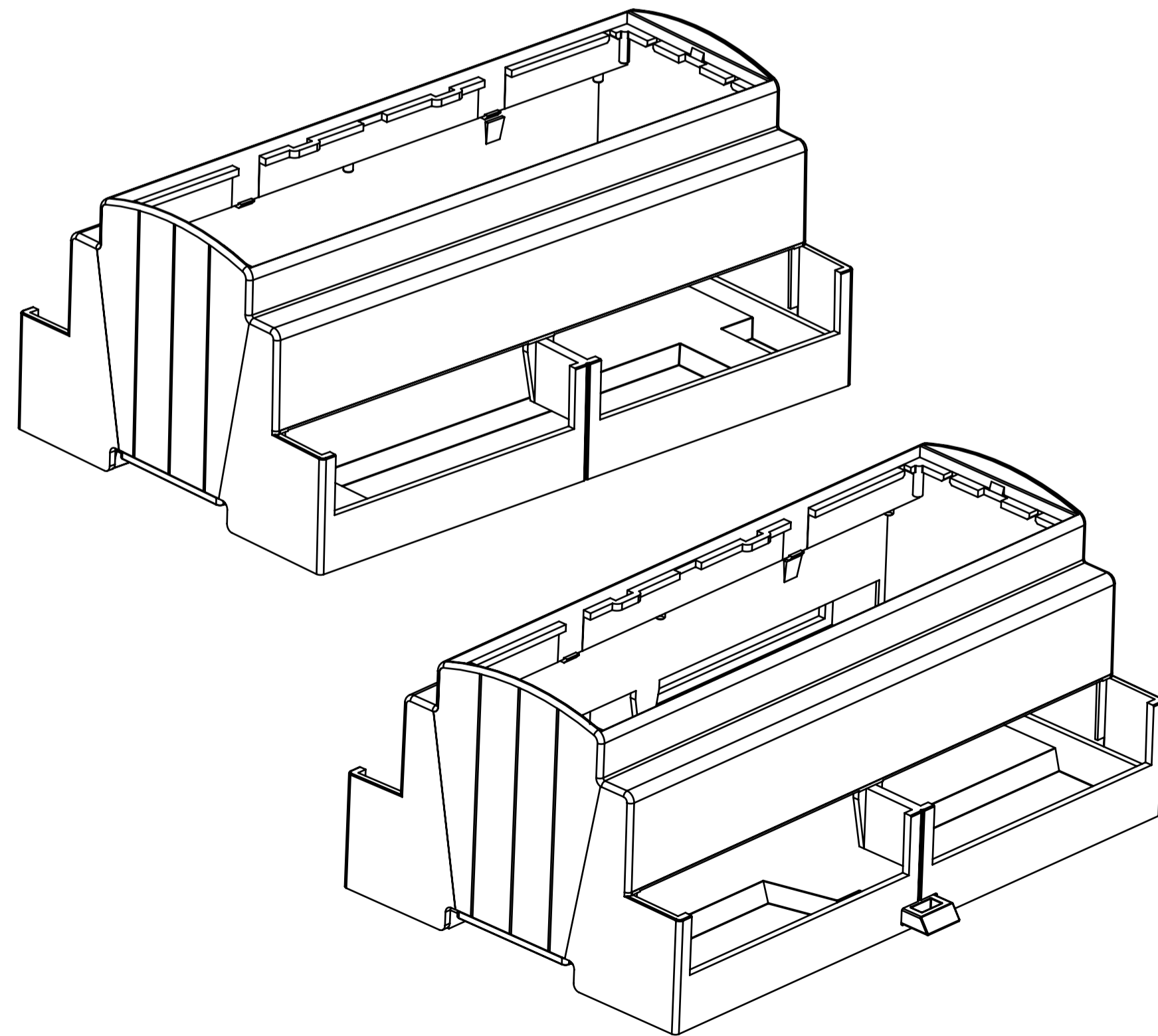
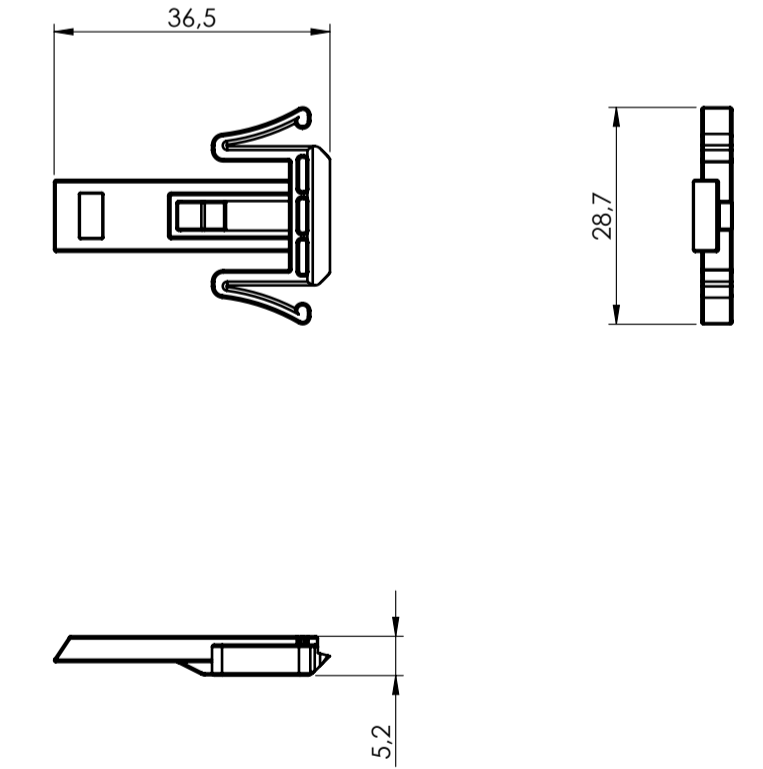
BODY ENCLOSURE



BASE



HOOK



General information:
 ● Workpiece zero point for mechanical processing
 - Minimum recommended radius for machining = R1.0 mm
 - Mounting rail like EN 60715: TH 35-7.5 or TH 35-15
 - Recommended PCB outline on www.italtronic.com

RIF.	Q.TY	DRAWING	DESCRIPTION
1	1	2_250_00072	HOOK FOR MODULBOX XT-XTS
2	1	2_250_03646	BODY ENCLOSURE MODULBOX XTS BMH53-A
3	1	2_250_03649	BASE MODULBOX XT/XTS - BM

Dimension in mm	from 0.5 to 3	from 3 to 6	from 6 to 30	from 30 to 120	from 120 to 400	Sheet
General Tolerances (DIN EN 22768/1 Medio [H])	±0.1	±0.1	±0.2	±0.2	±0.5	1

Scale:	IM:	Drawn:	Checked:	Date:	Material:	Process:
1:1	--	R.N.	R.N.	21/02/2023	--	--

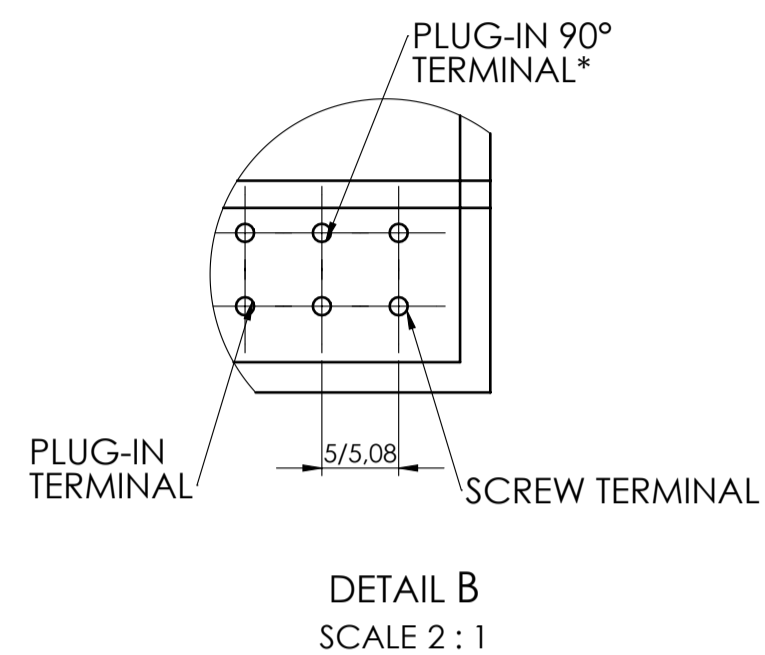
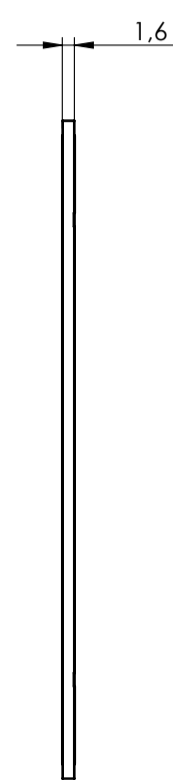
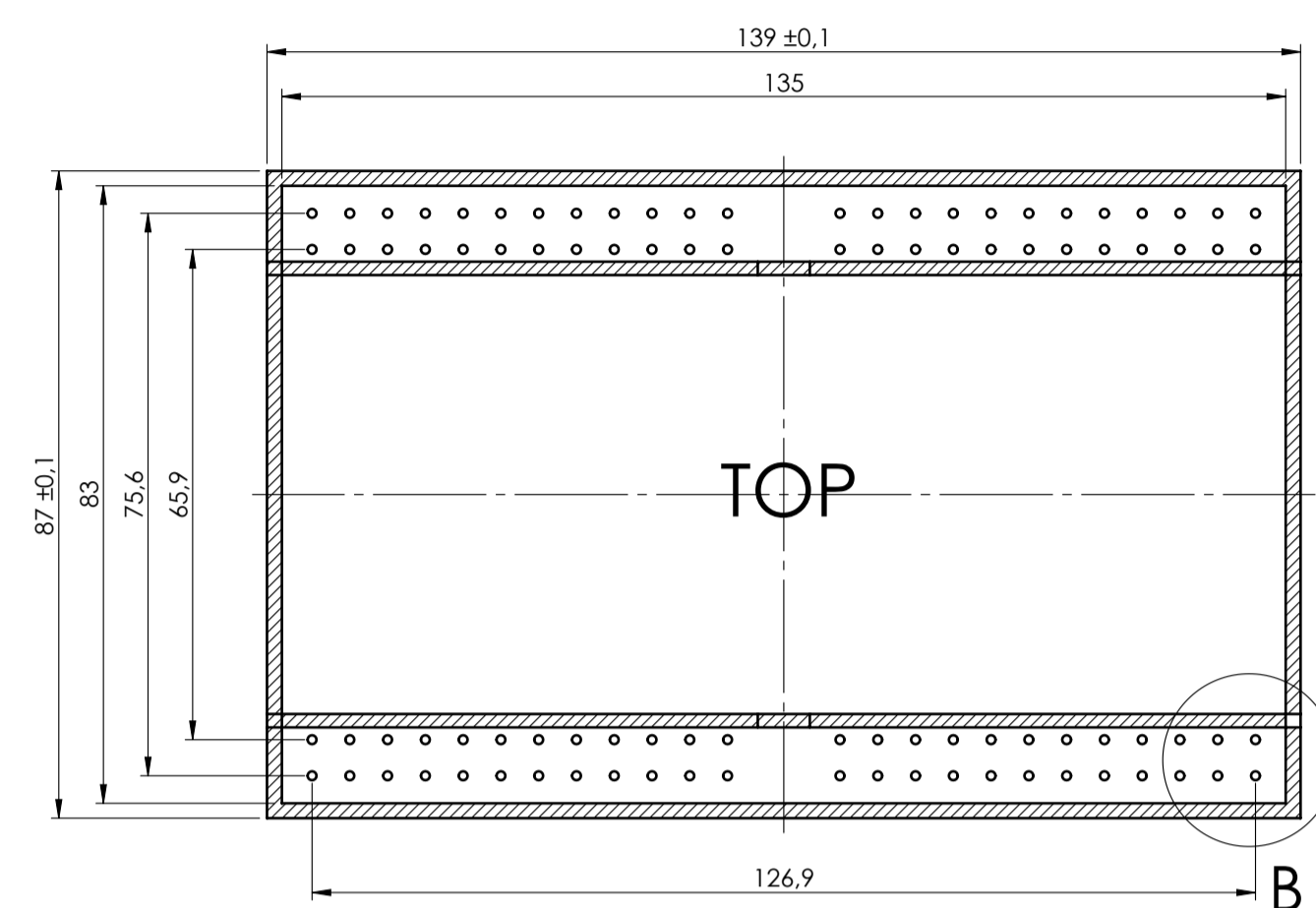
Replaces the:	Derived from:	Weight:	Cod. Mold:
M-04120-01	--	gr	--

Description:		Drawing IT:	
KIT CONTENITORE MODULBOX XTS BMH53-A		3_250_00086	
KIT ENCLOSURE MODULBOX XTS BMH53-A		00 A1	

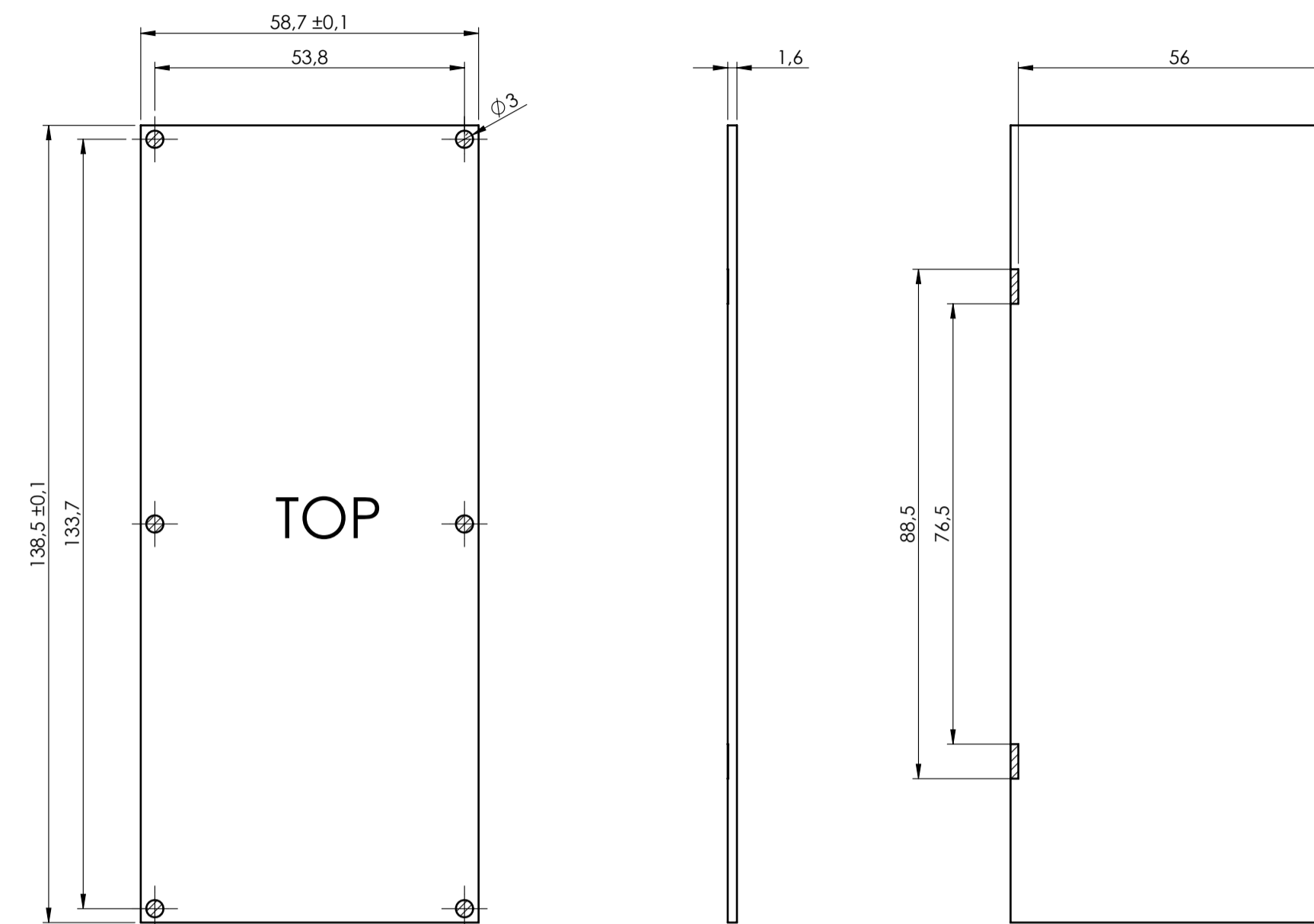


PCB A

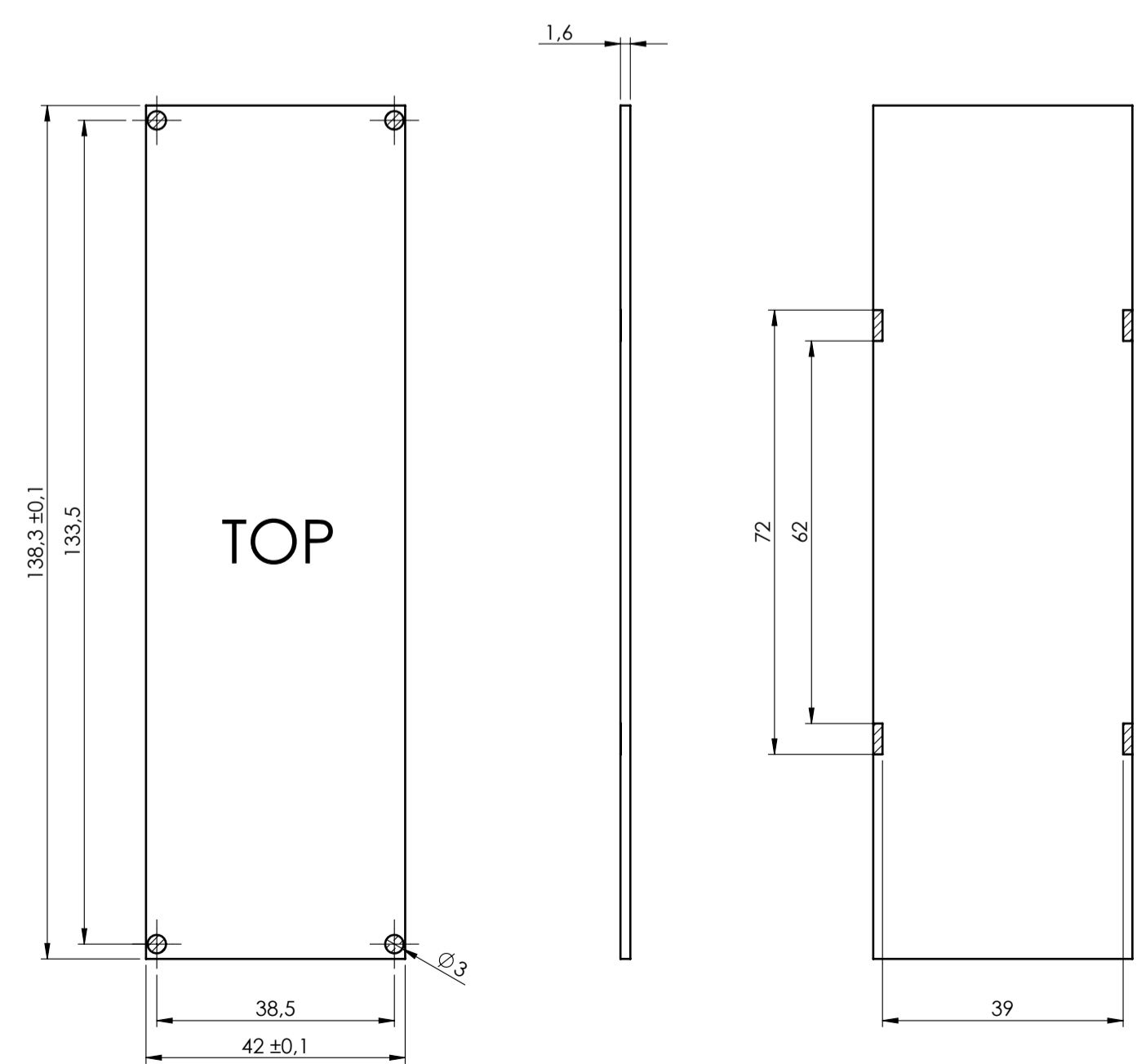
Max height of the terminal:
Modulbox XT/XTS: 18,5 mm



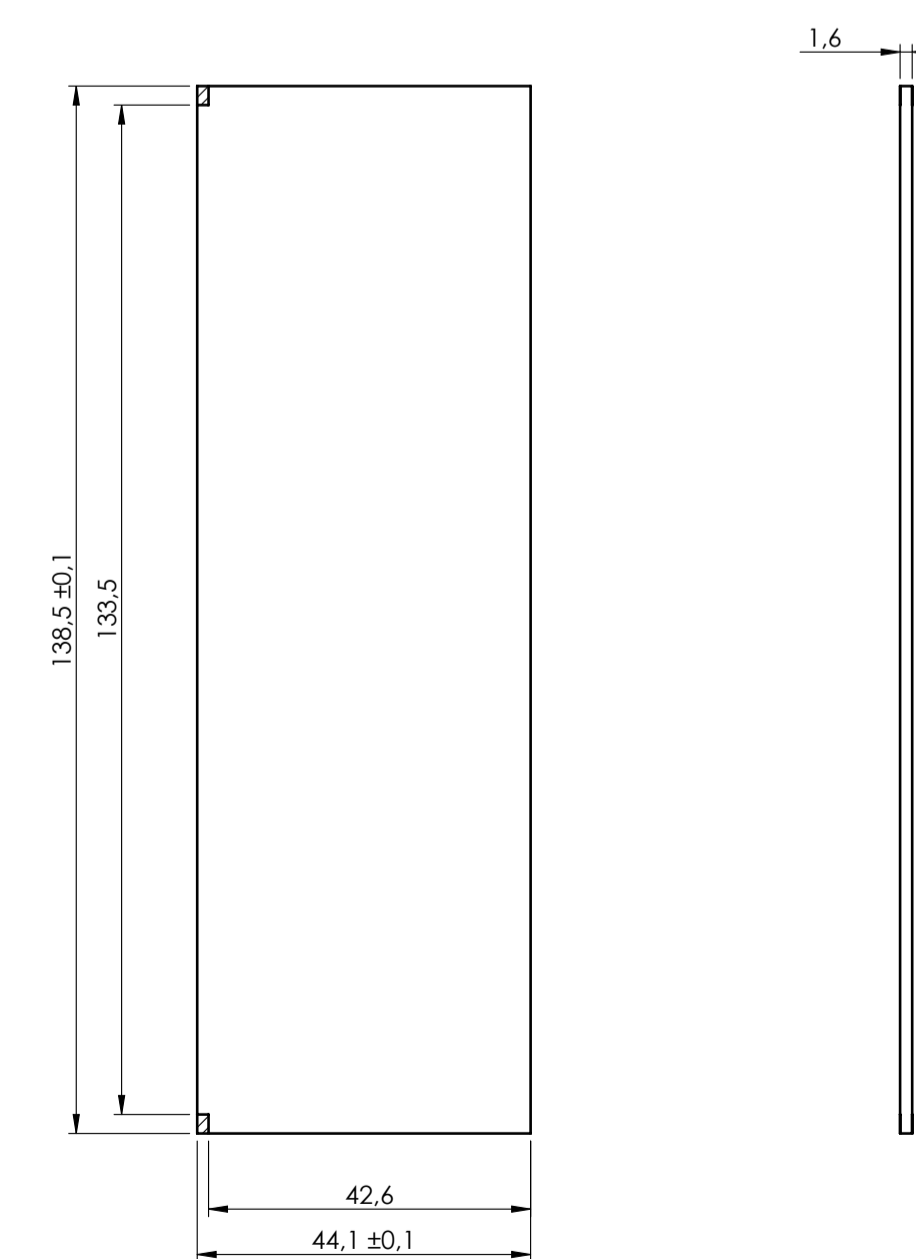
PCB B



PCB C



PCB V2



General Tolerance IIR EN 22768 / I Media (m)				Sheet:	
from 0.5 to 3 ± 0.1	from 3 to 6 ± 0.1	from 6 to 30 ± 0.2	from 30 to 120 ± 0.3	from 120 to 400 ± 0.5	PCB
Scale:	1:1	1:1	1:1	1:1	1:1
Drawn:	R.N.	R.N.	R.N.	R.N.	R.N.
Checked:	R.N.	R.N.	R.N.	R.N.	R.N.
Date:	21/02/2023	21/02/2023	21/02/2023	21/02/2023	21/02/2023
Replaces the:	M-04120-01				
Derived from:					
Weight:					
Cod. Mold:					
Description:					Rev.:
KIT CONTENITORE MODULBOX XTS BMH3-A					00
KIT ENCLOSURE MODULBOX XTS BMH3-A					A1
Drawing ref. 3_250_00086					
Dimension in mm					
NO COMPONENTS AREA					
Italtрони					
enclosures for electronics					
italtro.com					