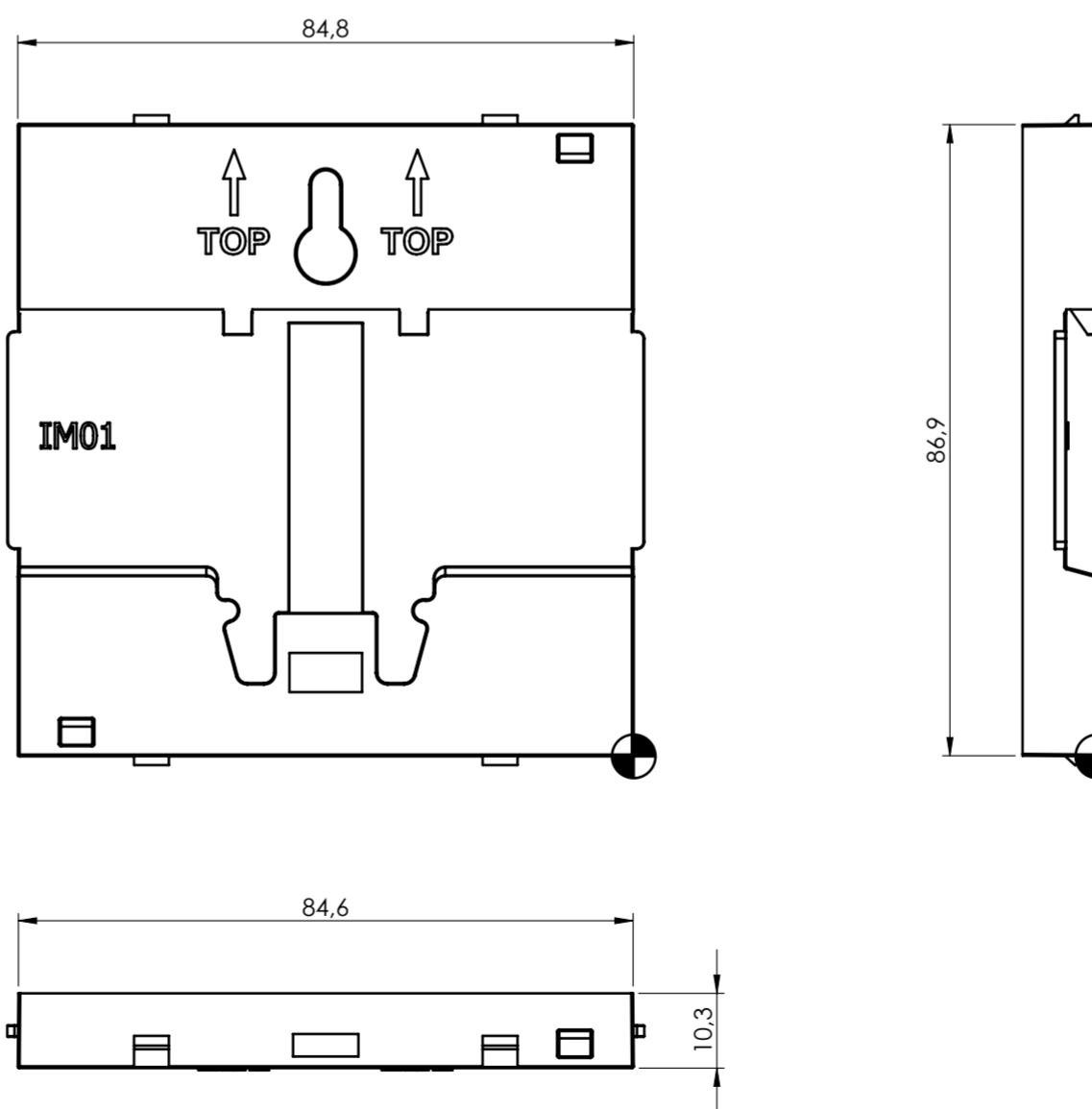
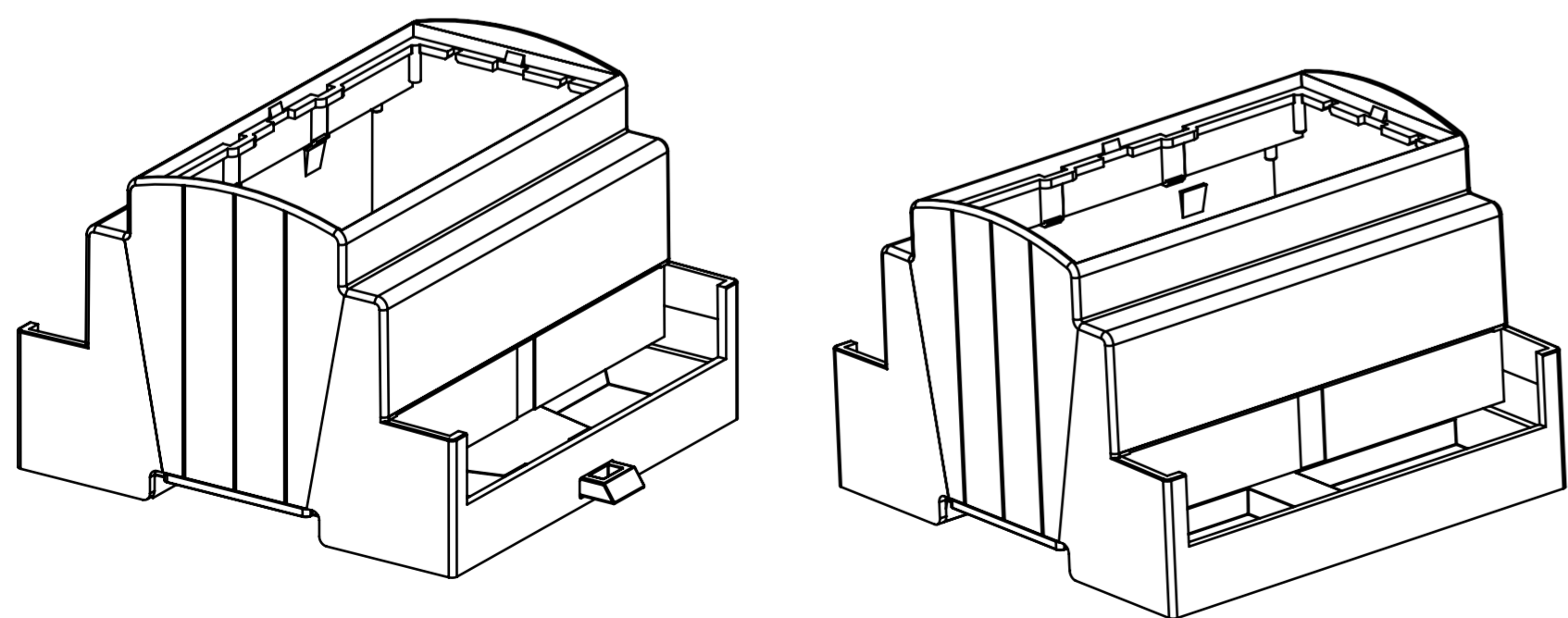
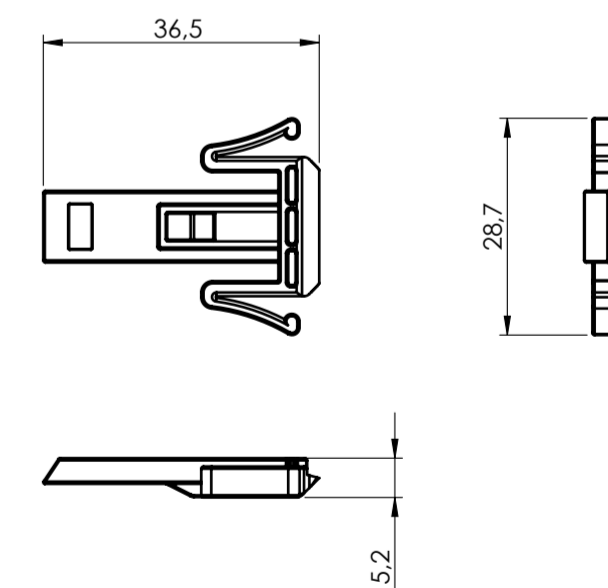


BASE



HOOK



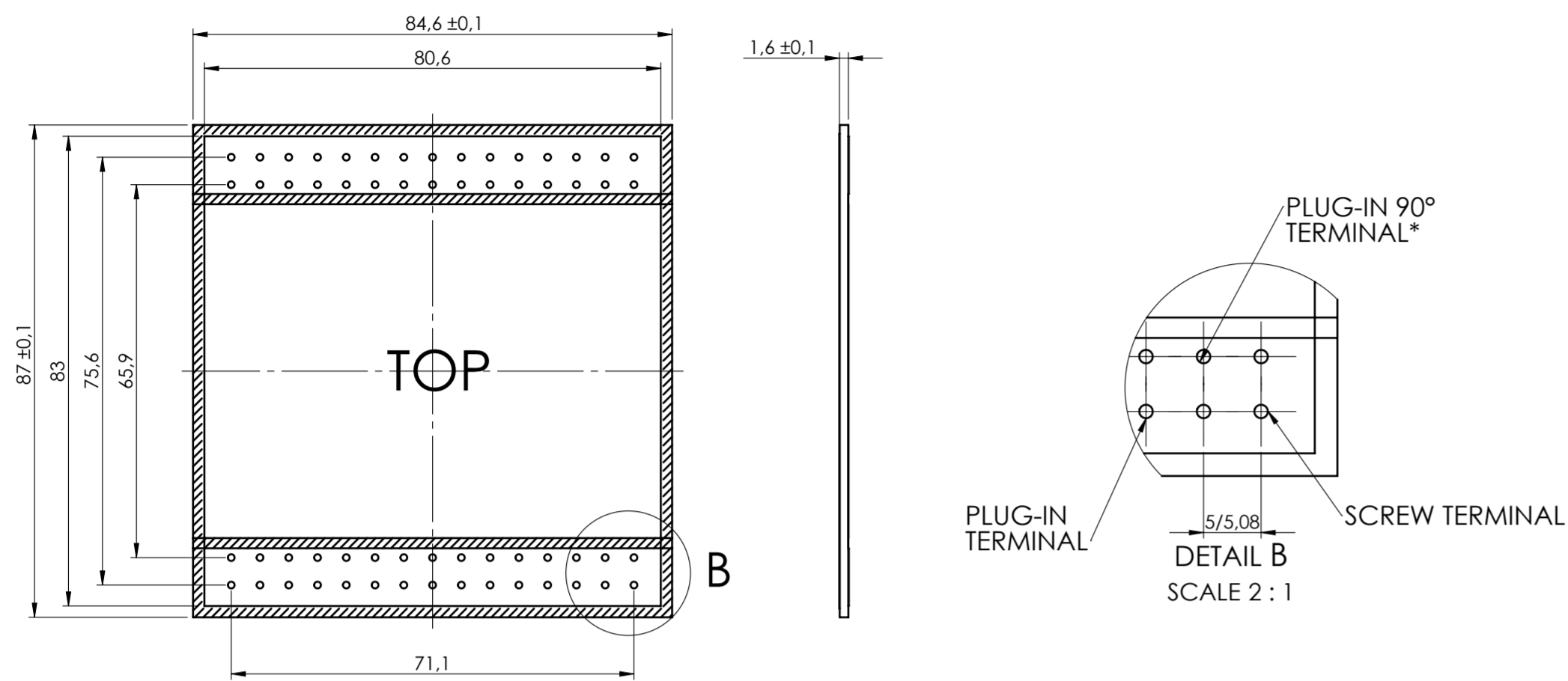
- General information:
- Workpiece zero point for mechanical processing
  - Minimum recommended radius for machining = R1.0 mm
  - Mounting rail like EN 60715: TH 35-7.5 or TH 35-15
  - Recommended PCB outline on [www.italtronic.com](http://www.italtronic.com)

RIF.	Q.TY	DRAWING	DESCRIPTION
1	1	2_250_03678	BASE MODULBOX XT\XTS - 5M
2	1	2_250_00072	HOOK FOR MODULBOX XT\XTS
3	1	2_250_03672	BODY MODULBOX XTS 5M53-A

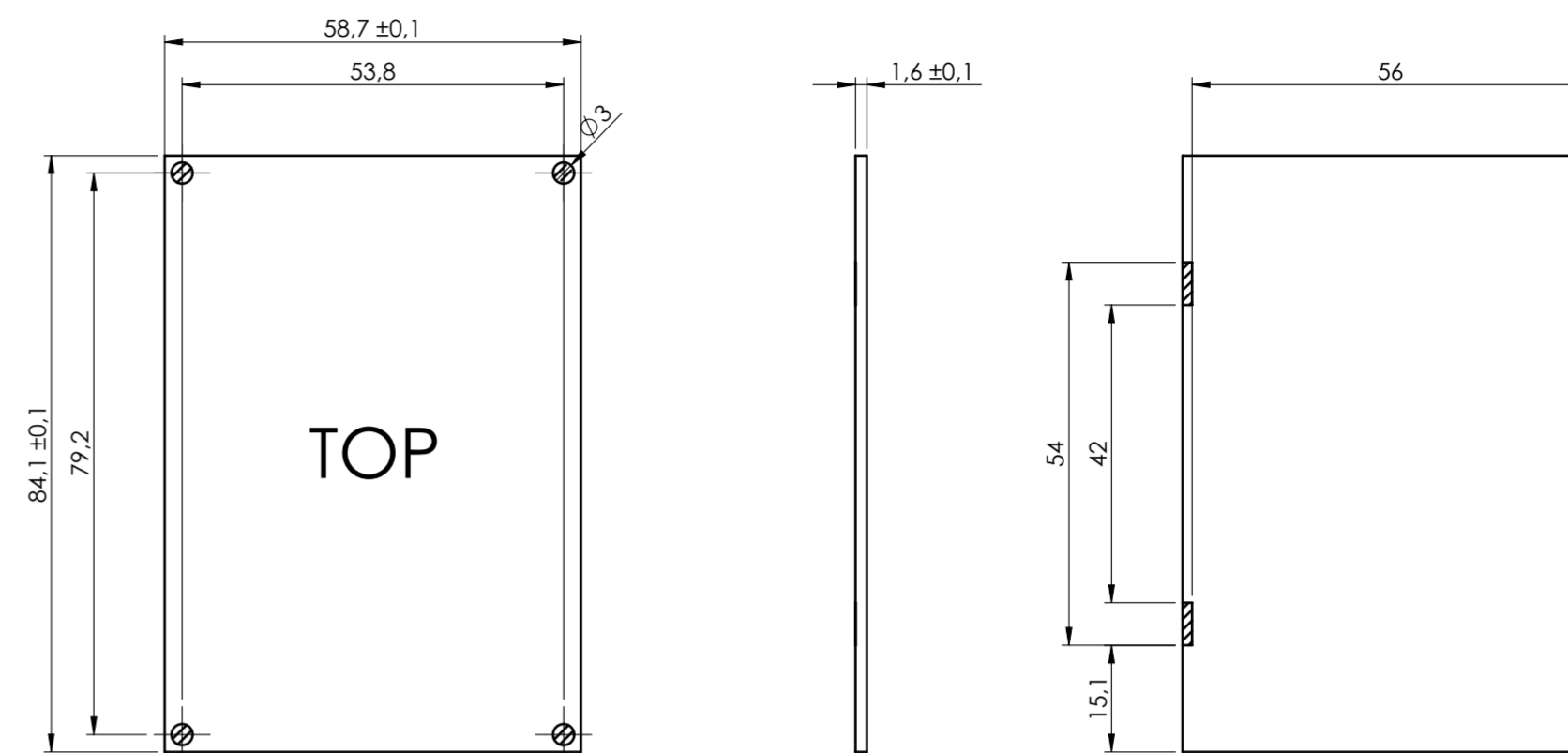
General Tolerance UNI EN 22768/1 Media (m)						Sheet:
from 0.5 to 3	from 3 to 6	from 6 to 30	from 30 to 120	from 120 to 400		1
± 0.1	± 0.1	± 0.2	± 0.3	± 0.5		
Scale:	IM:	Drawn:	Checked:	Date:	Material:	Process:
1:1	--		R.N.	03/05/2023		
	The present drawing cannot be reproduced or communicated to 3rd parties, even partially, without the authorization of Italtronic. Italtronic reserves the right to protect its copyrights according to the law.		Replaces the:	Derived from:	Weight:	Cod. Mold:
			M-04091-01		gr	--
<b>italtronic</b> enclosures for electronics <a href="http://italtronic.com">italtronic.com</a>			Description: KIT CONTENITORE MODULBOX XTS 5M53-A KIT ENCLOSURE MODULBOX XTS 5M53-A		Drawing nr.:	Rev.:
			<b>3_250_00096</b>			<b>00 A2</b>

### PCB A

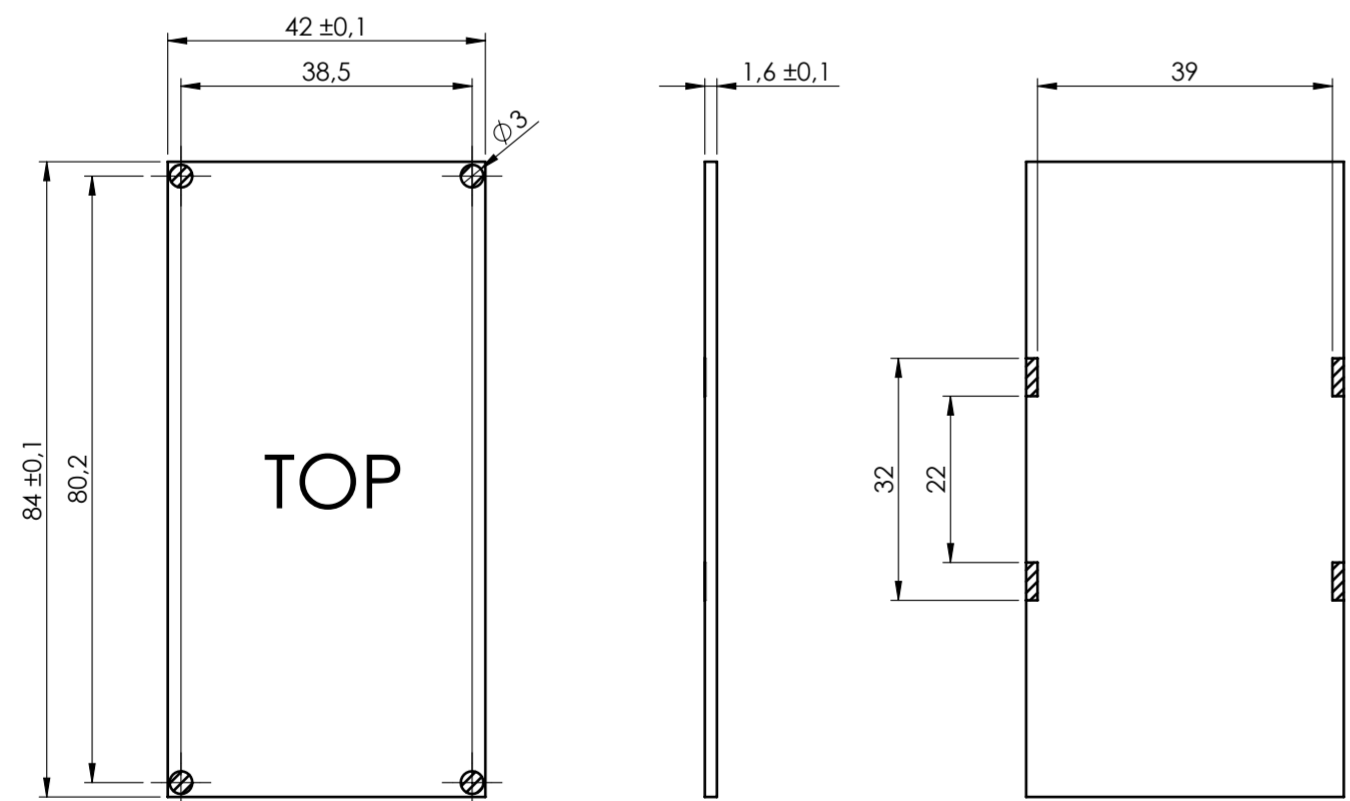
Max height of the terminal:  
Modulbox XT/XTS: 18.5 mm  
Modulbox ONE: 20 mm



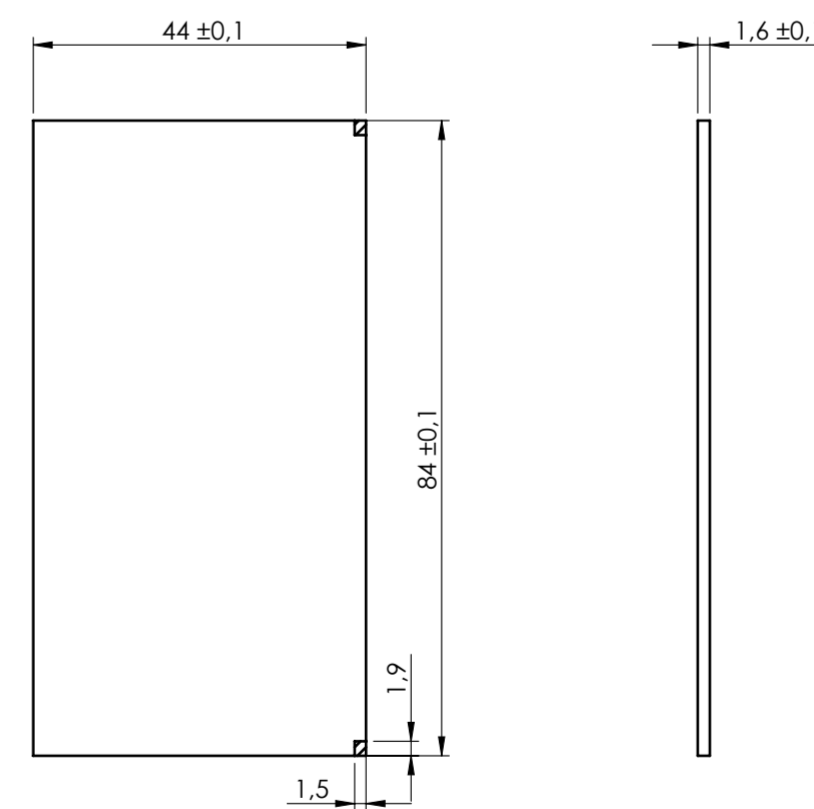
### PCB B



### PCB C



### PCB V2



\*To use the PLUG-IN terminals in Modulbox ONE use plug-in adapter P05000003E (5/5.08 pitch) and P05000004E (7.5/7.62 pitch)

General Tolerance UNI EN 22768/1 Media (m)					Sheet:
from 0.5 to 3 ± 0.1	from 3 to 6 ± 0.1	from 6 to 30 ± 0.2	from 30 to 120 ± 0.3	from 120 to 400 ± 0.5	PCB
Scale: 1:1	IM: --	Drawn: --	Checked: R.N.	Date: 03/05/2023	Process: --
Dimension in mm		Replaces the: M-04091-01	Derived from:	Weight: gr	Cod. Mold: --
 enclosures for electronics italtronic.com		Description: KIT CONTENITORE MODULBOX XTS 5MS3-A KIT ENCLOSURE MODULBOX XTS 5MS3-A Drawing nr.: <b>3_250_00096</b>			Rev.: 00 A2

NO COMPONENTS AREA