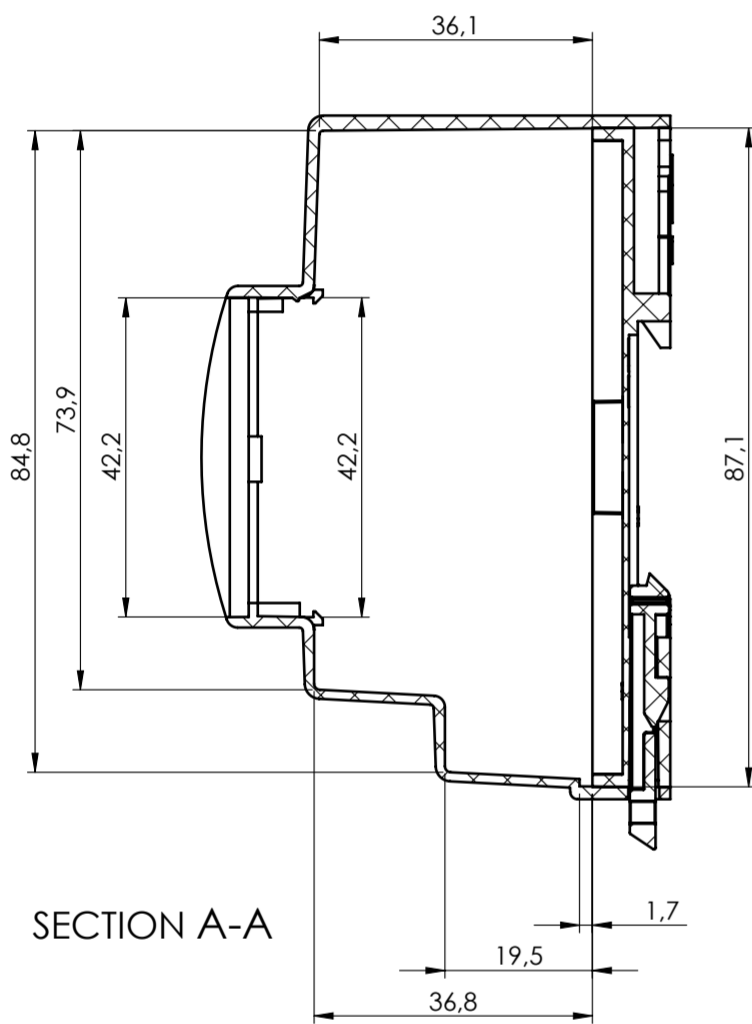
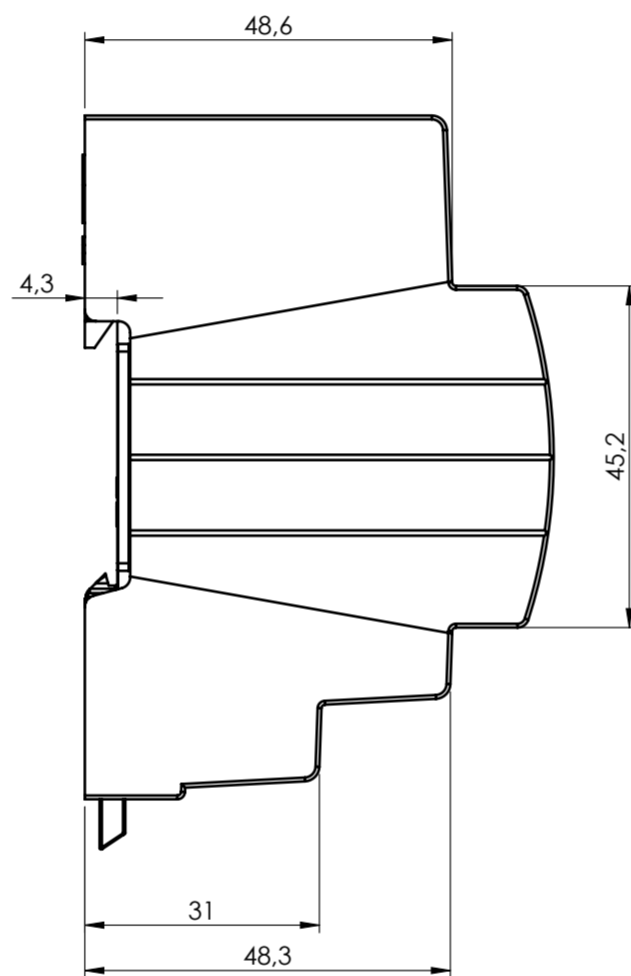
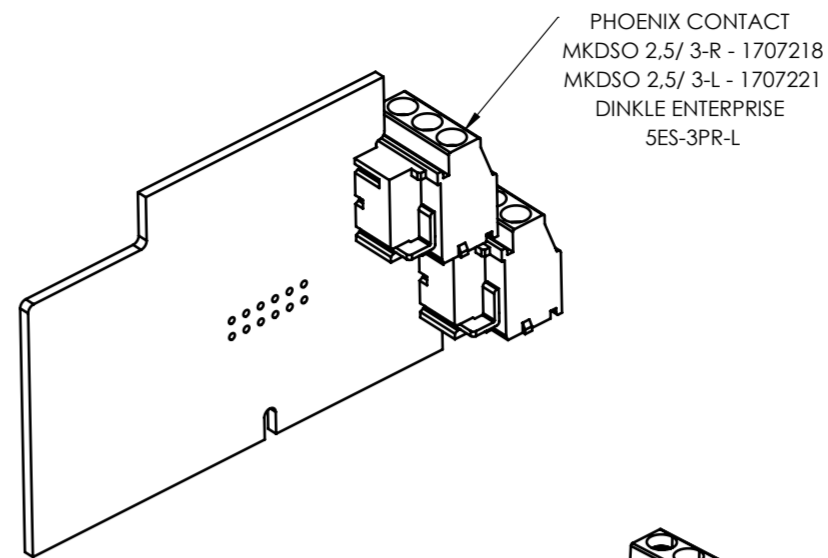


SECTION B-B



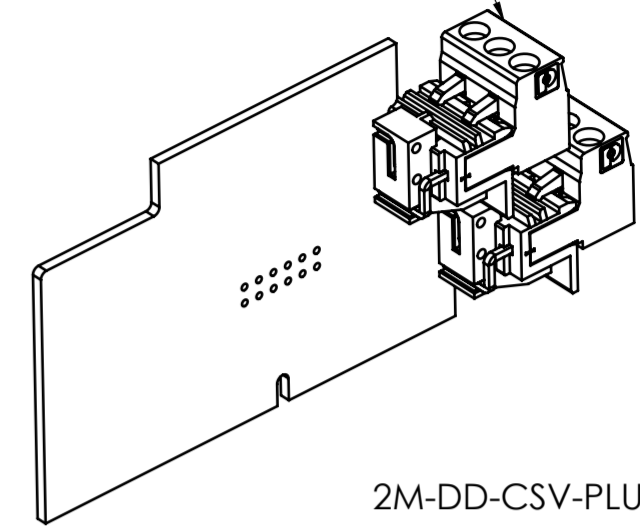
SECTION A-A

2M-DD-CSV-FIX



PHOENIX CONTACT  
MKDSO 2.5/ 3-R - 1707218  
MKDSO 2.5/ 3-L - 1707221  
DINKLE ENTERPRISE  
5ES-3PR-L

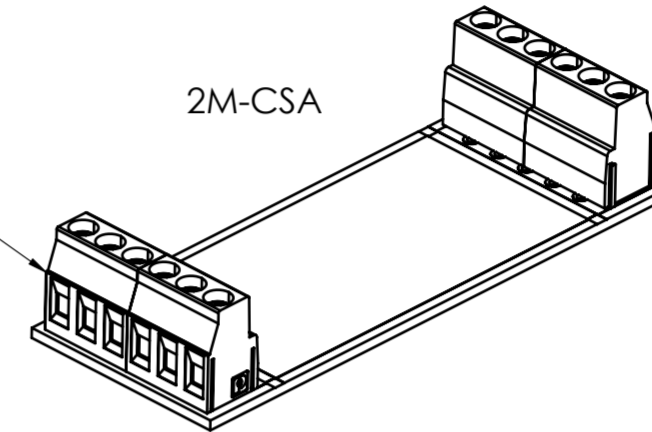
PHOENIX CONTACT  
MSTBO 2.5/ 3-G1R - 1861031  
MSTBO 2.5/ 3-G1L - 1861028  
DINKLE ENTERPRISE 5EH-3PR-L  
SAURO CIMH03NR1-0N  
SAURO CIMH03NL1-0N



2M-DD-CSV-PLUG\_IN

PHOENIX CONTACT  
MKDSN 2.5/ 3 - 1890976  
EUROCLAMP MV253-5,08-V  
SAURO MSD03005

2M-CSA

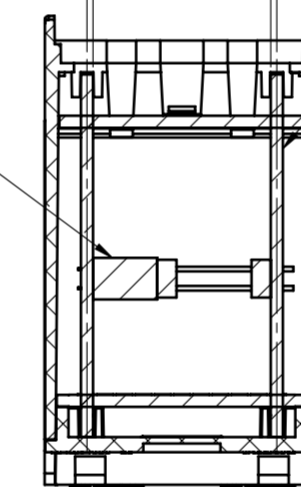


PIN STRIP  
CONEX CFB8S207-2,54 MM  
CONEX C MA8S202

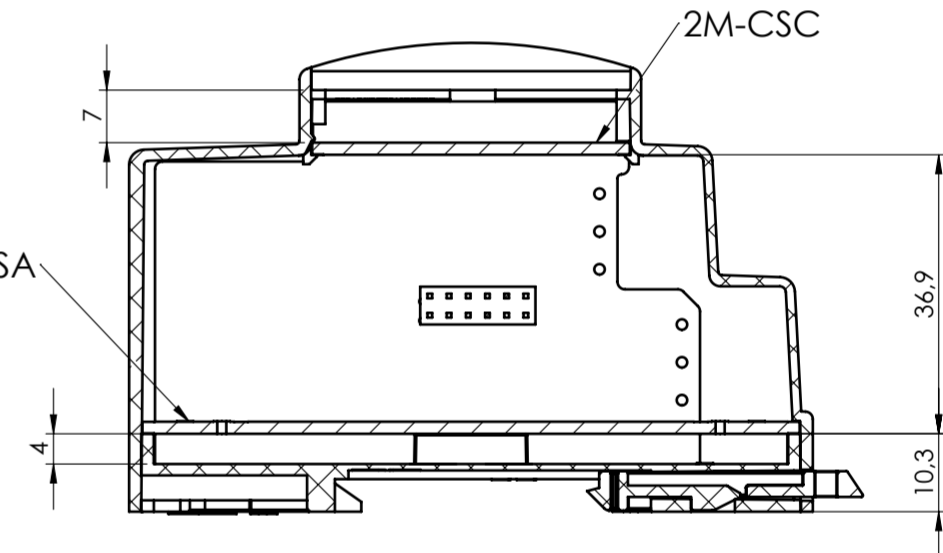
25,1

23,5

2M-DD-CSV

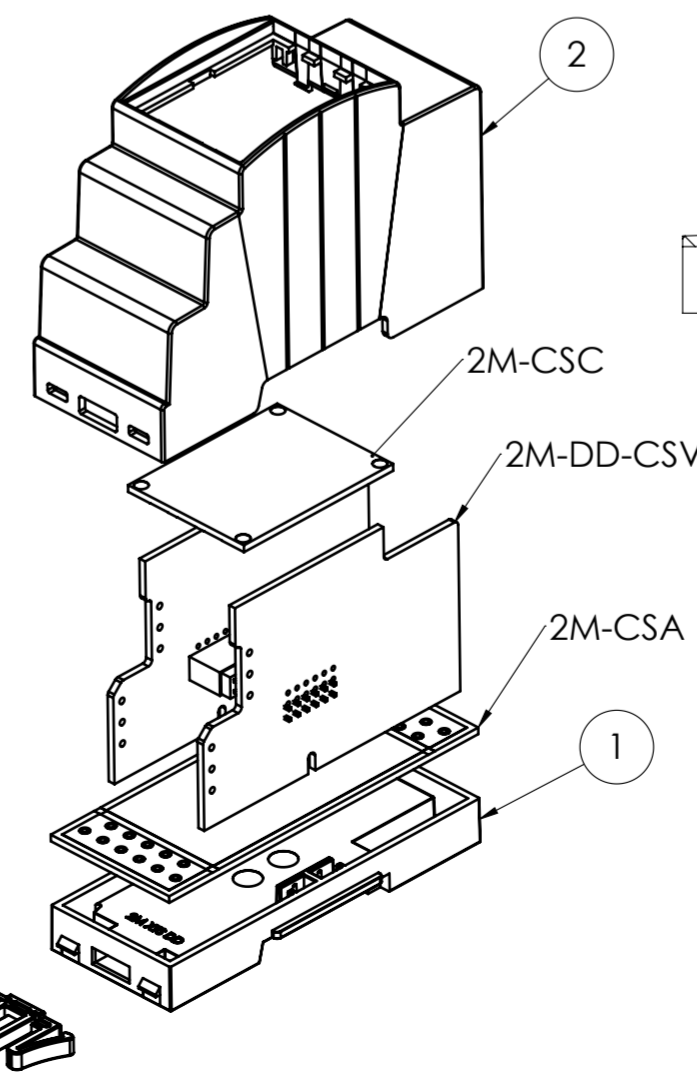
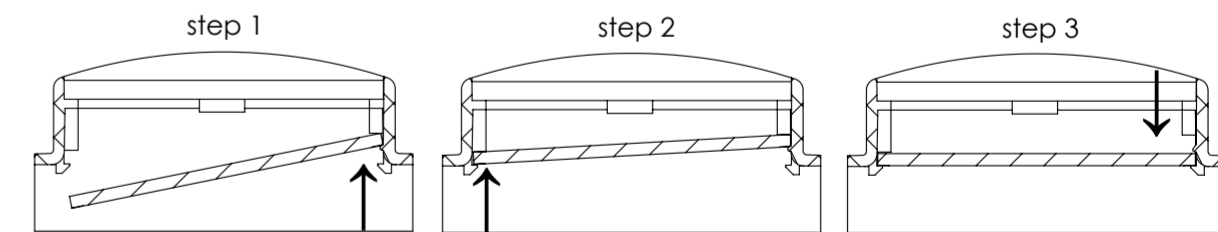


2M-CSA



2M-CSC

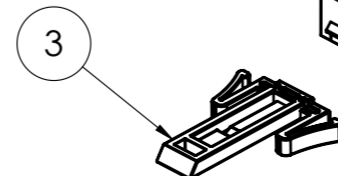
PCB-C assembly



2M-CSC

2M-DD-CSV

2M-CSA



RIF.	Q.TY	DRAWING	DESCRIPTION
1	1	2_250_00150	BASE MODULBOX XT-XTS 2M VERSION DD
2	1	2_250_00142	BODY MODULBOX XTS DD 2M53-B
3	1	2_250_00072	HOOK FOR MODULBOX XT-XTS

General Tolerance UNI EN 22768/1 Media (m)					Sheet:
from 0.5 to 3	from 3 to 6	from 6 to 30	from 30 to 120	from 120 to 400	1
± 0.1	± 0.1	± 0.2	± 0.3	± 0.5	
Scale:	Drawn:	Checked:	Date:	Material:	Process:
1:1	R.N.	R.N.	22/03/2022		
Dimension in mm	Derived from:			Weight:	Cod. Mold:
	---			gr	---

 enclosures for electronics italtronic.com		Description: KIT CONTENITORE MODULBOX XTS DD 2M53-B CHIUSO KIT ENCLOSURE MODULBOX XTS DD 2M53-B CHIUSO Drawing nr.: <b>3_250_00076</b>	Rev.: <b>00 A2</b>
--	--	--	-----------------------