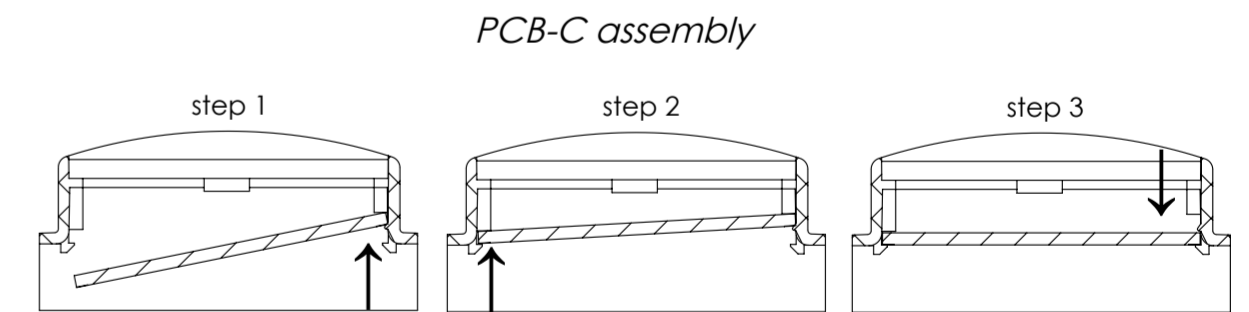
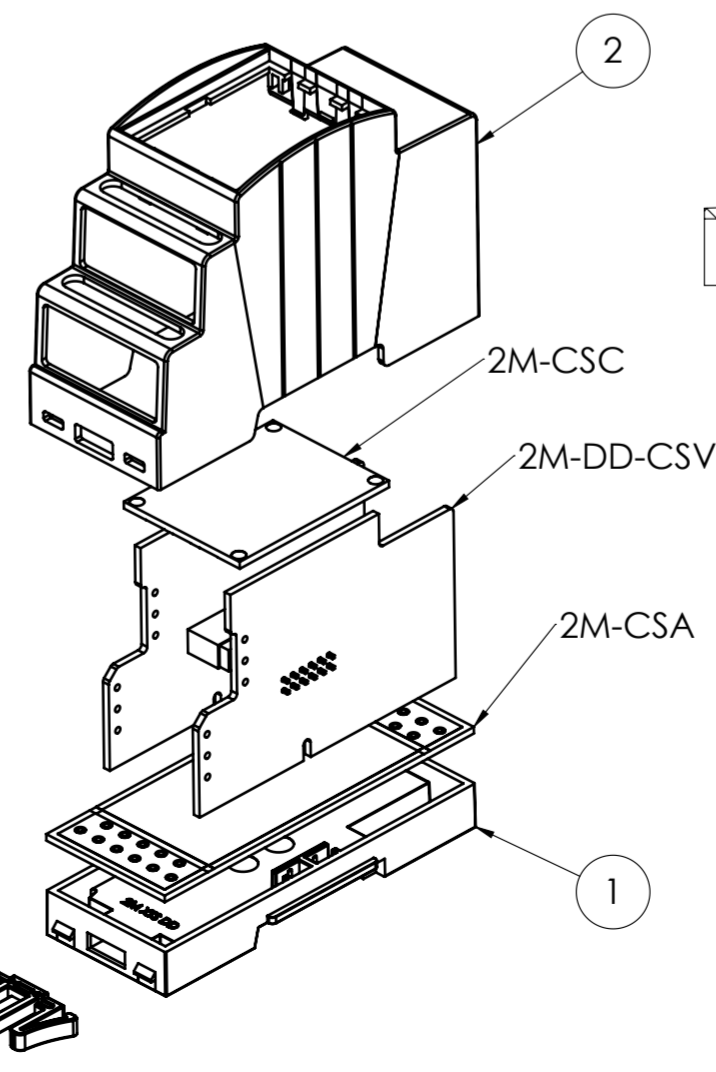
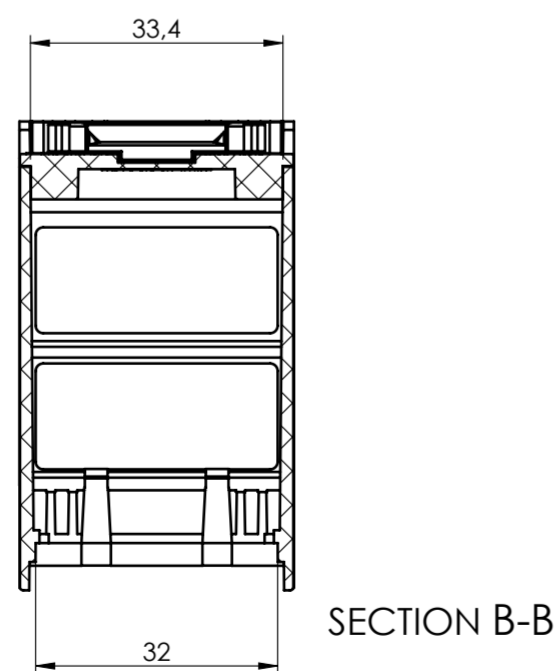
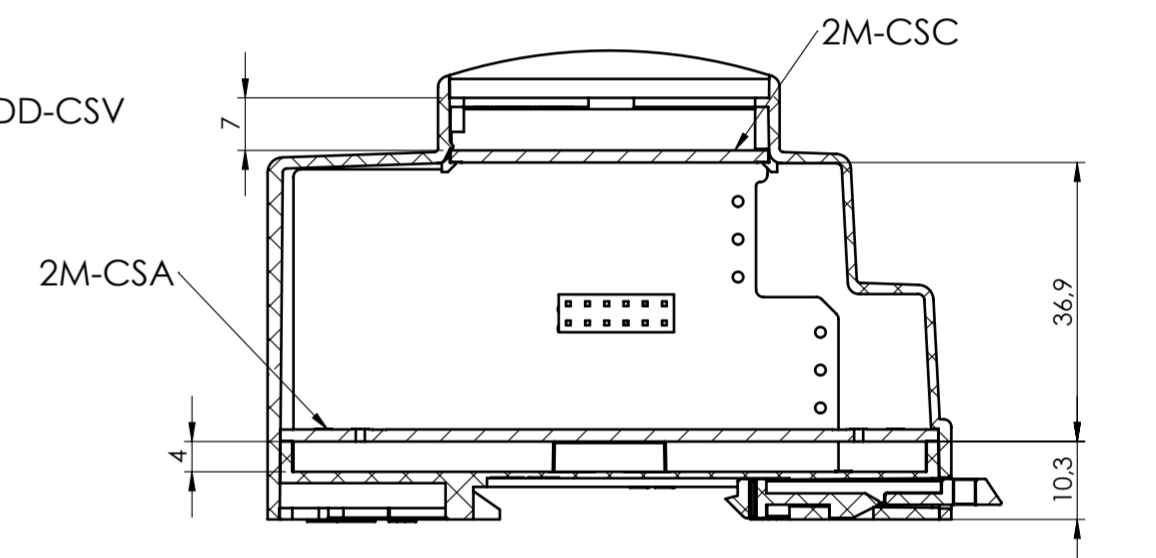
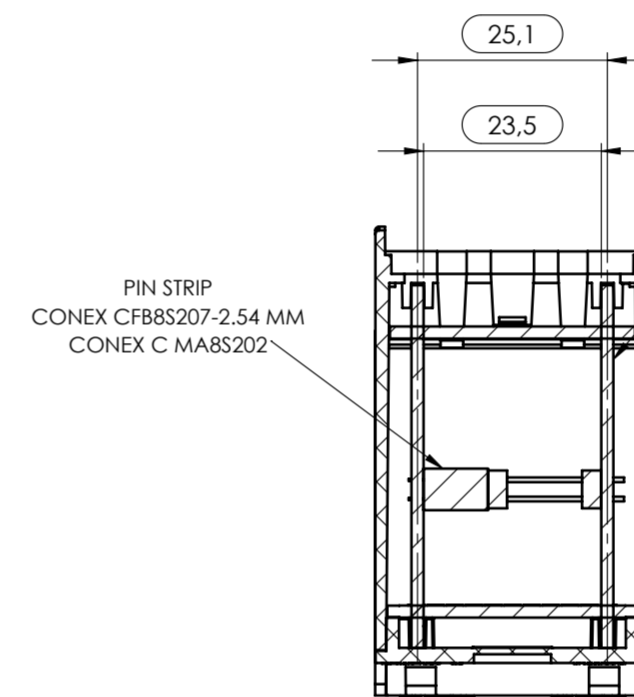
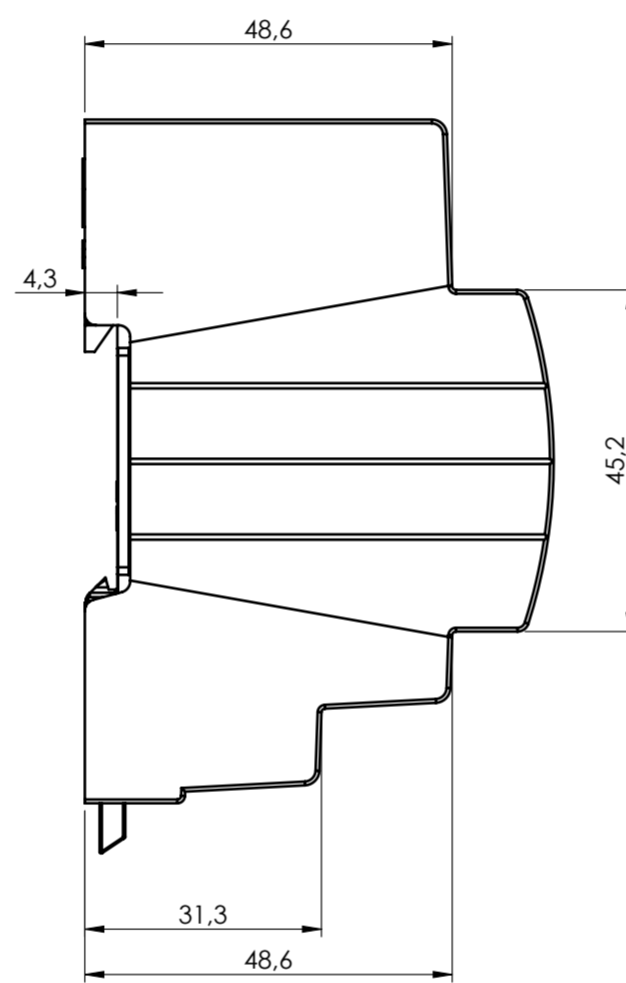
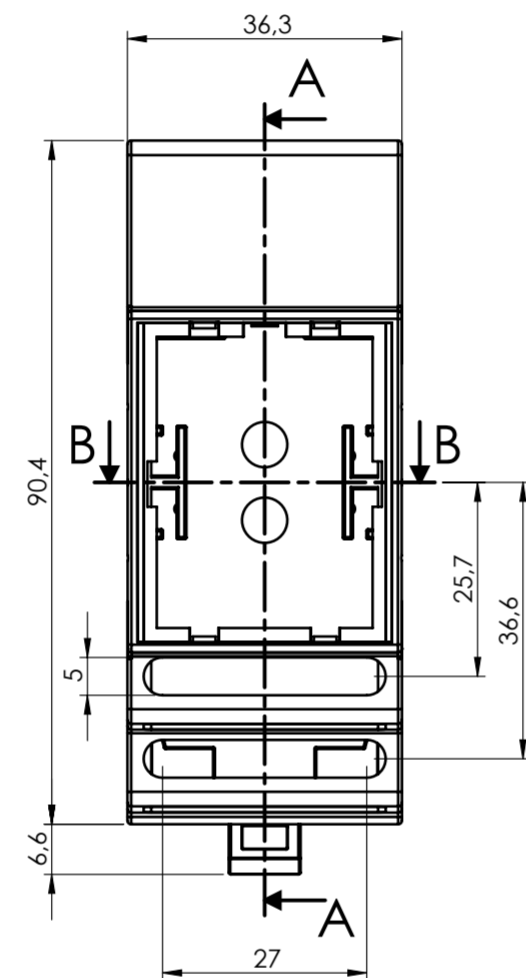
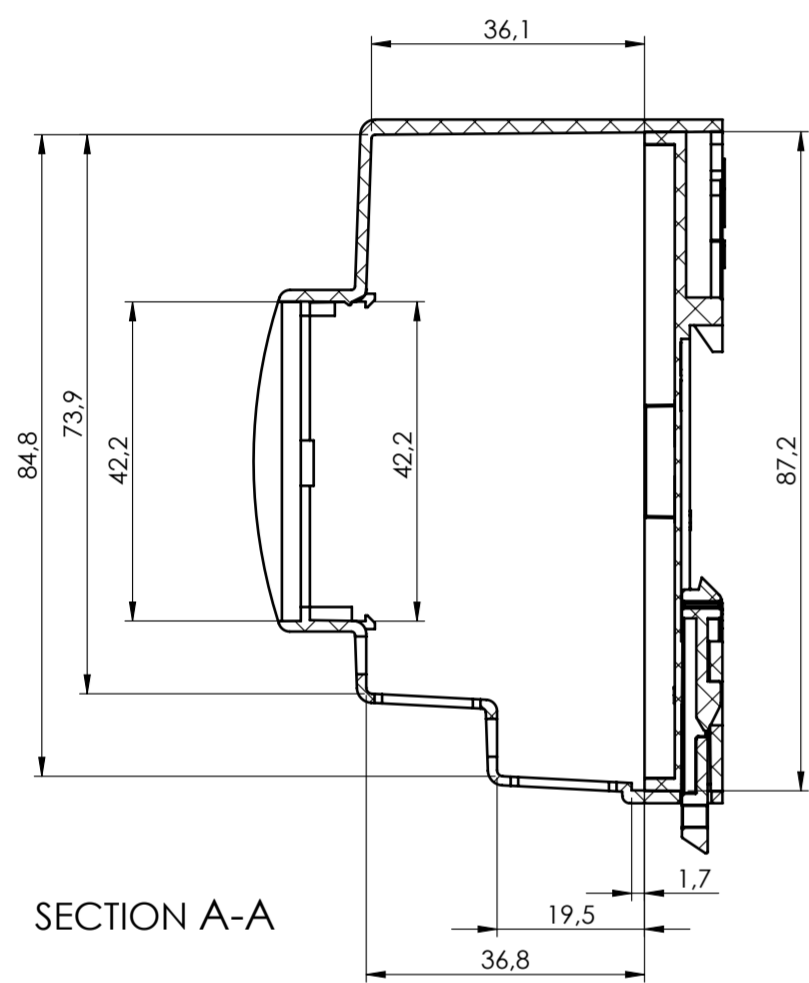
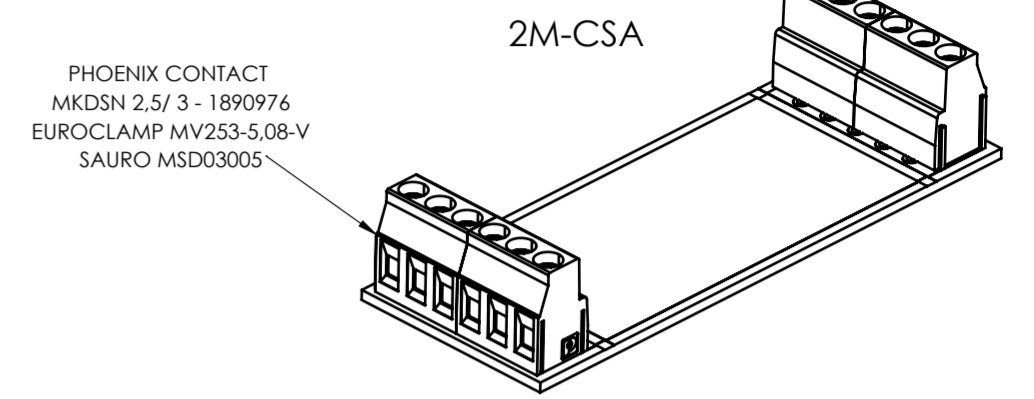
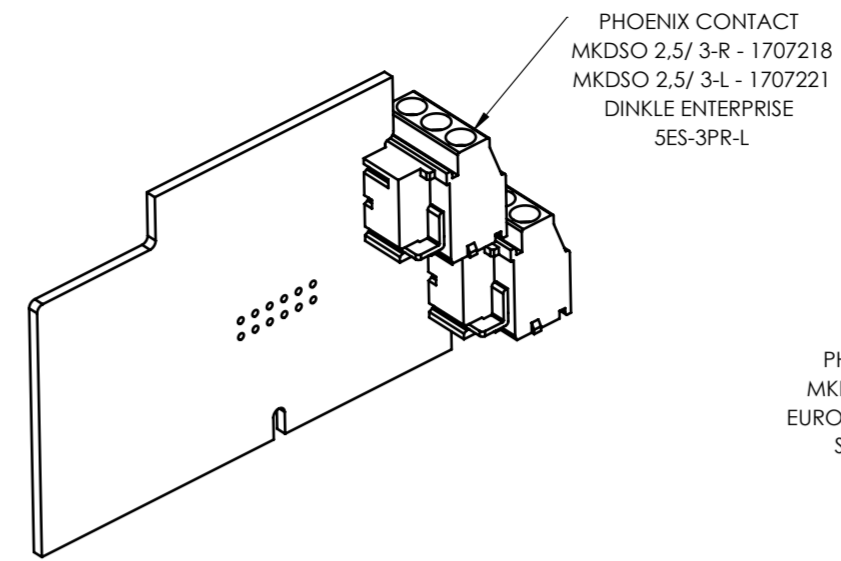


2M-DD-CSV-FIX



RIF.	Q.TY	DRAWING	DESCRIPTION
1	1	2_250_00150	BASE MODULBOX XT-XTS 2M VERSION DD
2	1	2_250_00148	BODY MODULBOX XTS DD 2MH53-B2F
3	1	2_250_00072	HOOK FOR MODULBOX XT-XTS

General Tolerance UNI EN 22768/1 Media (m)					Sheet:
from 0.5 to 3	from 3 to 6	from 6 to 30	from 30 to 120	from 120 to 400	1
± 0.1	± 0.1	± 0.2	± 0.3	± 0.5	
Scale:	Drawn:	Checked:	Date:	Material:	Process:
1:1	R.N.	R.N.	22/12/2021		
Dimension in mm	Derived from:			Weight:	Cod. Mold:
	---			gr	--

 enclosures for electronics italtronic.com		Description: KIT CONTENITORE MODULBOX XTS DD 2MH53-B2F KIT ENCLOSURE MODULBOX XTS DD 2MH53-B2F	Drawing nr.: 3_250_00075	Rev.: 00 A2
--	--	--	------------------------------------	----------------