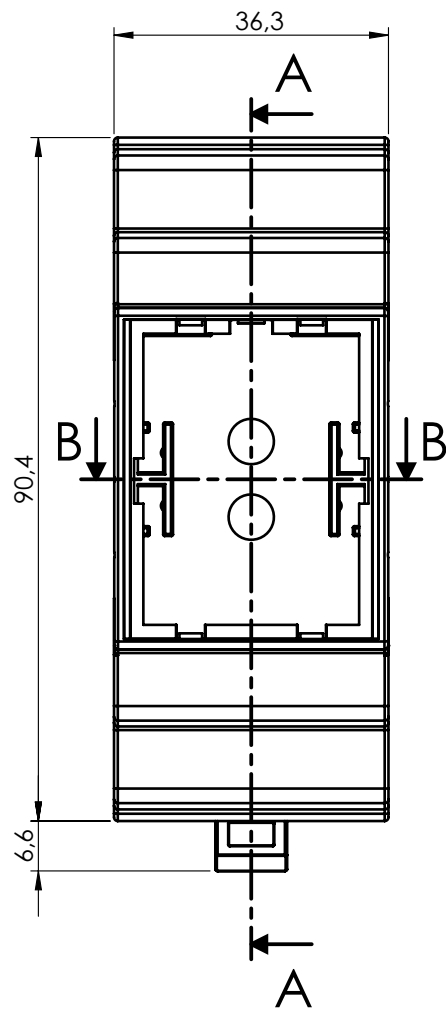
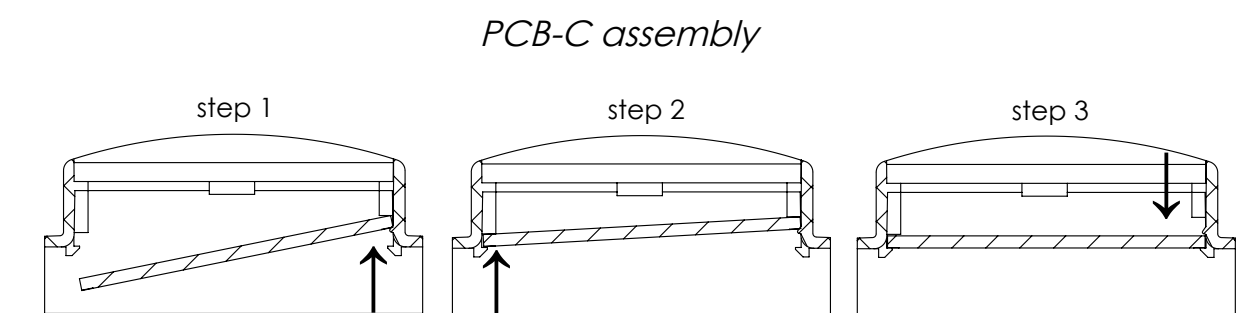
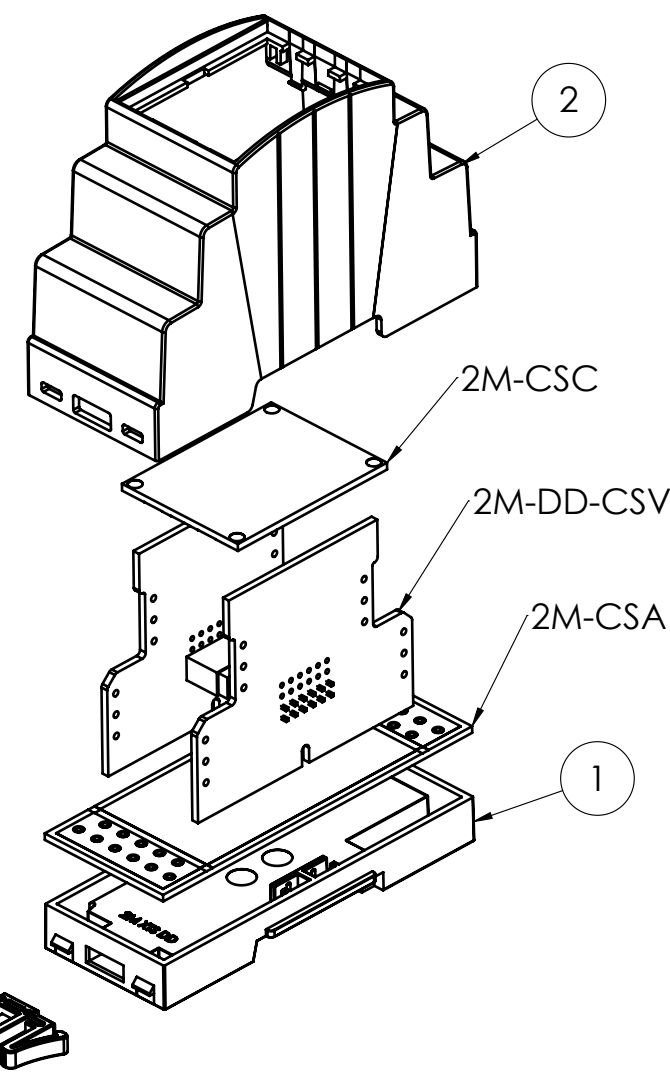
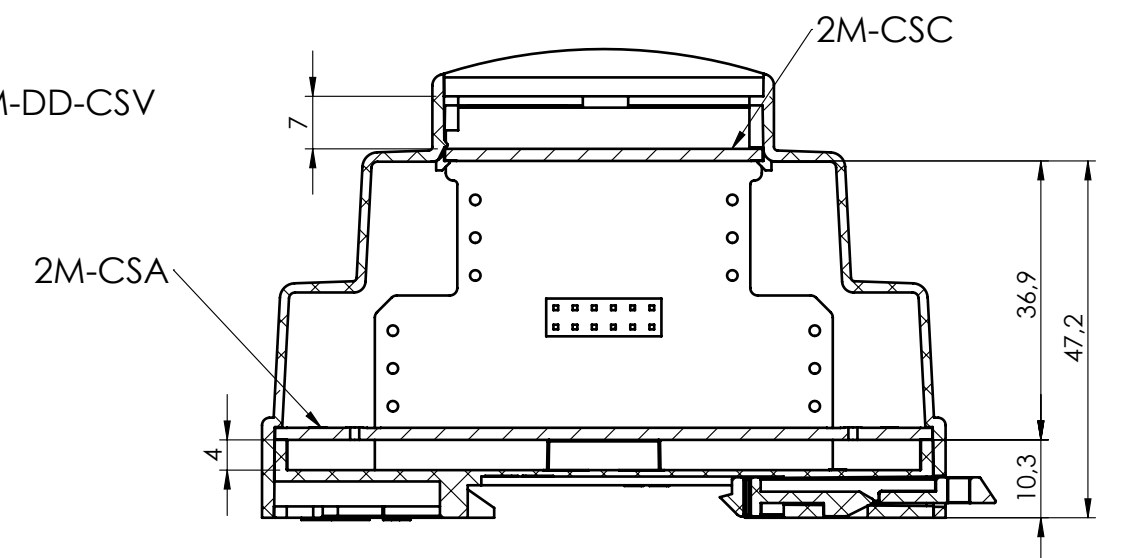
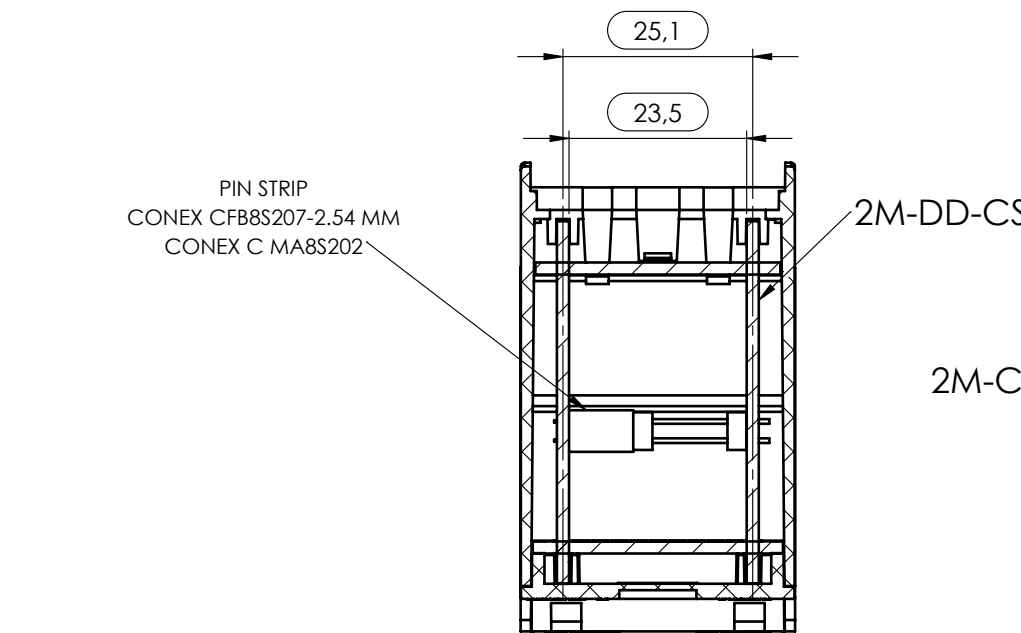
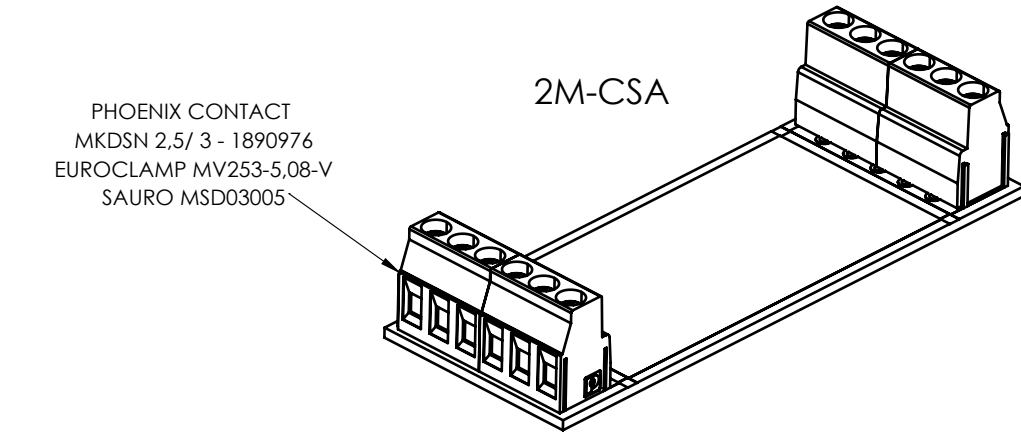
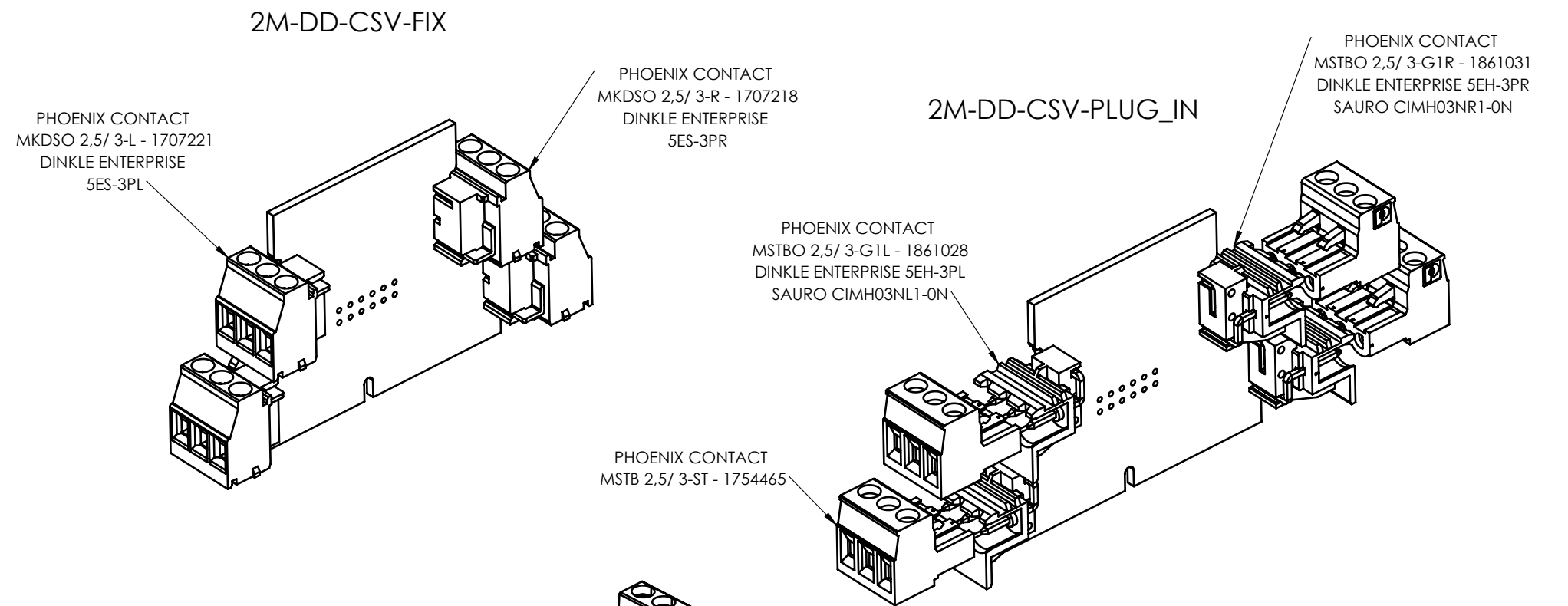
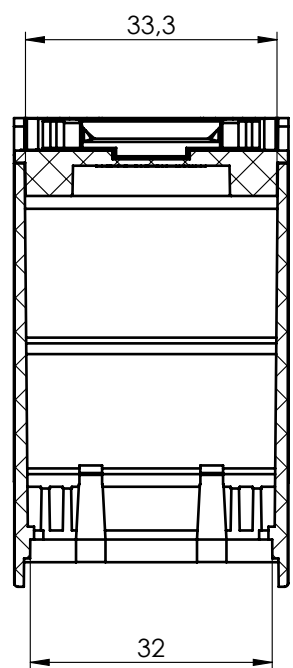
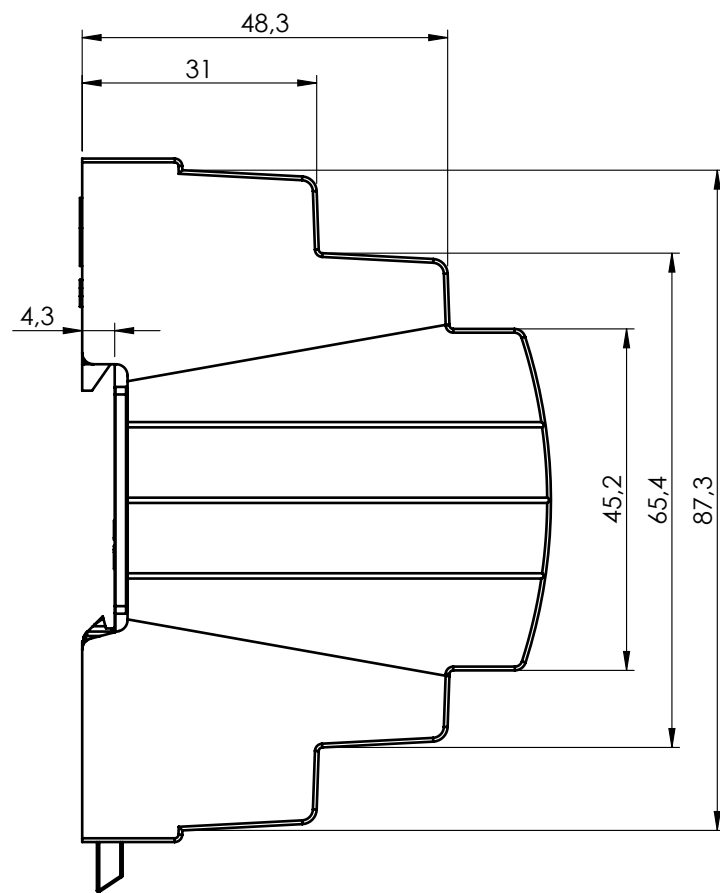


SECTION A-A



SECTION B-B



RIF.	Q.TY	DRAWING	DESCRIPTION
1	1	2_250_00150	BASE MODULBOX XT-XTS 2M VERSION DD
2	1	2_250_00138	BODY MODULBOX XTS DD 2M53-A
3	1	2_250_00072	HOOK FOR MODULBOX XT-XTS

General Tolerance UNI EN 22768/1 Media (m)					Sheet:
from 0.5 to 3	from 3 to 6	from 6 to 30	from 30 to 120	from 120 to 400	1
± 0.1	± 0.1	± 0.2	± 0.3	± 0.5	
Scale:	Drawn:	Checked:	Date:	Material:	Process:
1:1	R.N.	R.N.	07/09/2021		
Dimension in mm	Derived from:			Weight:	Cod. Mold:
	---			gr	--


 Description:
 KIT CONTENITORE MODULBOX XTS DD 2M53-A
 KIT ENCLOSURE MODULBOX XTS DD 2M53-A
 Drawing nr.: **3_250_00074**
 Rev.: **00** A2