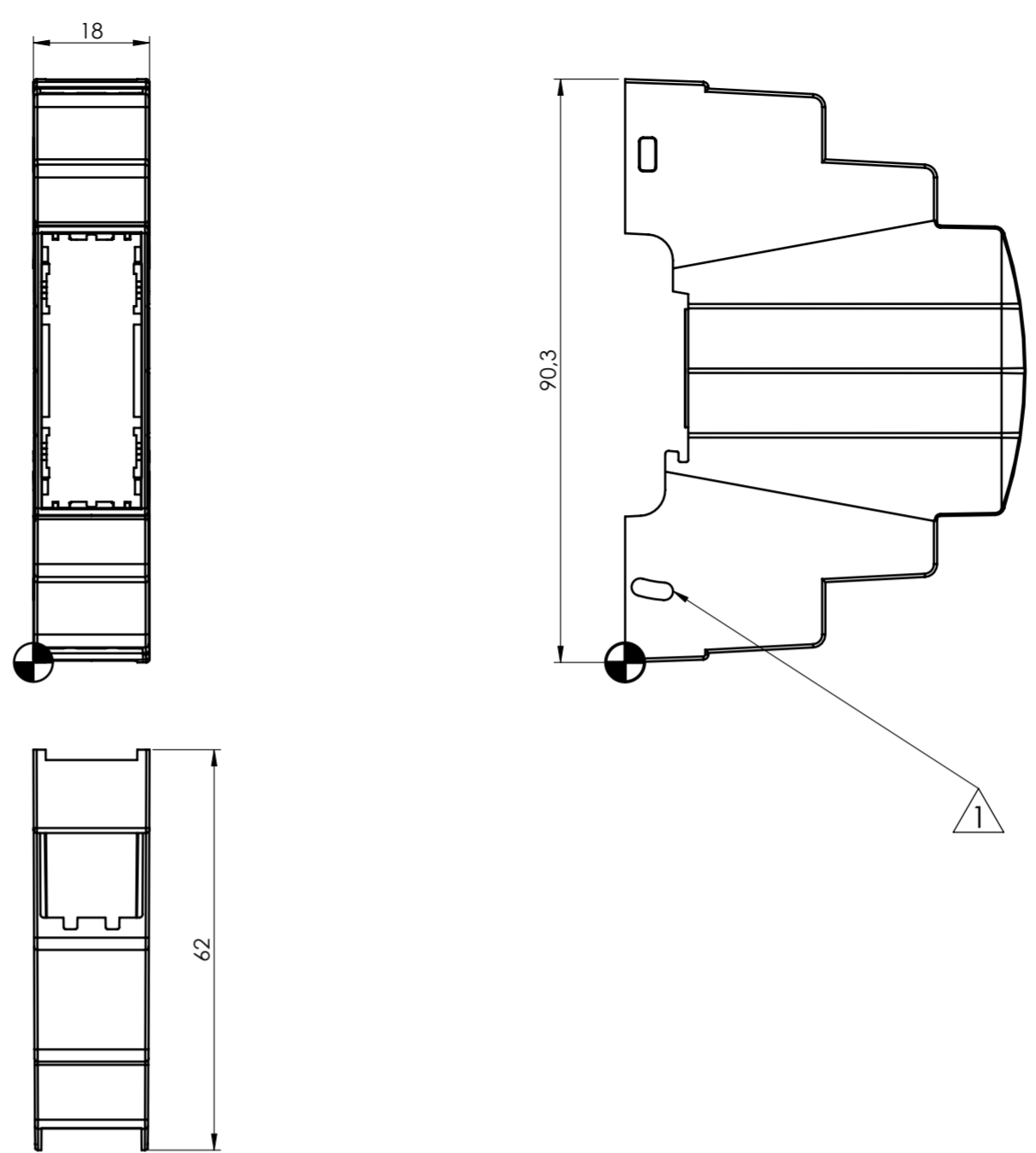
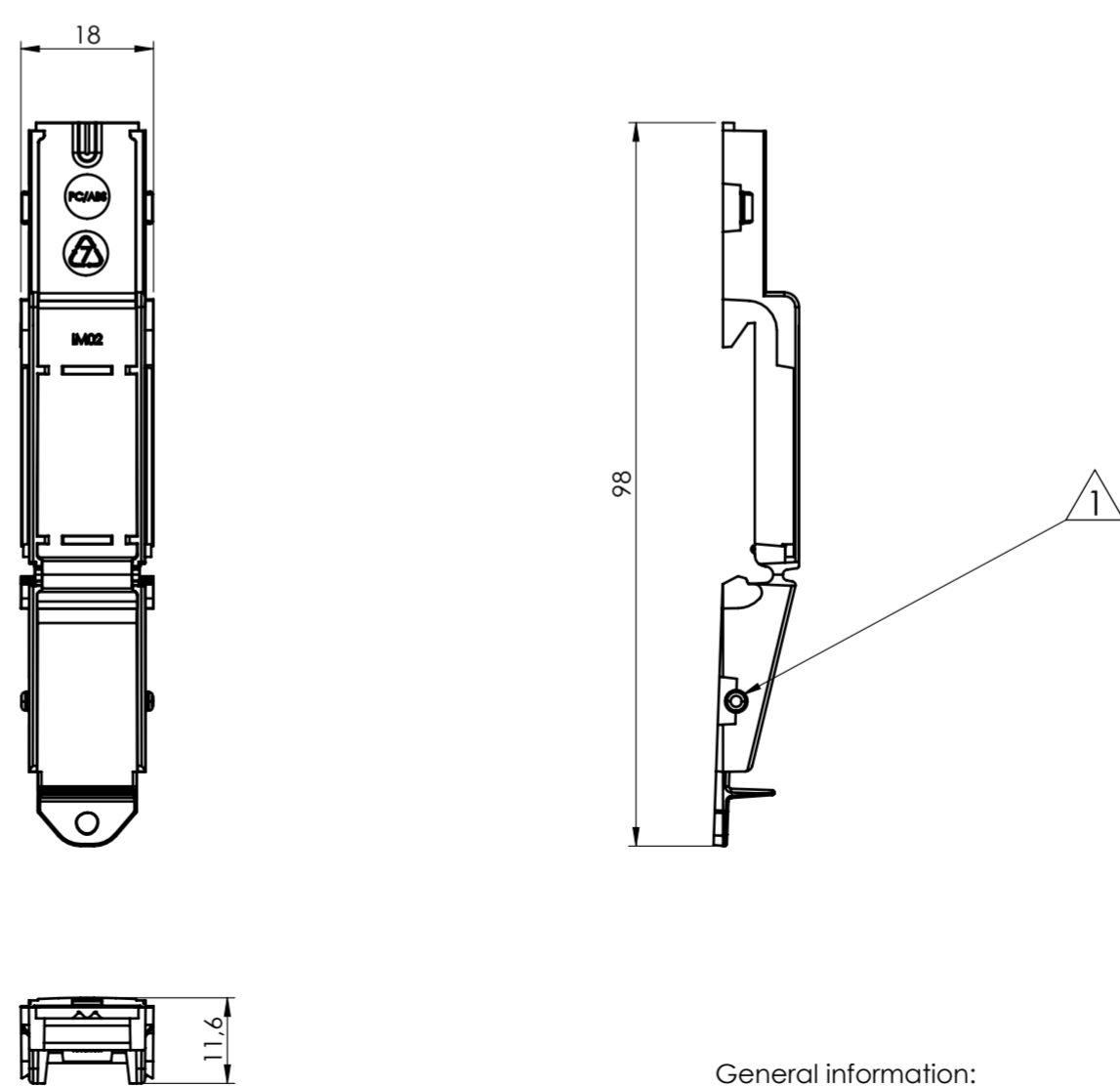


BODY ENCLOSURE

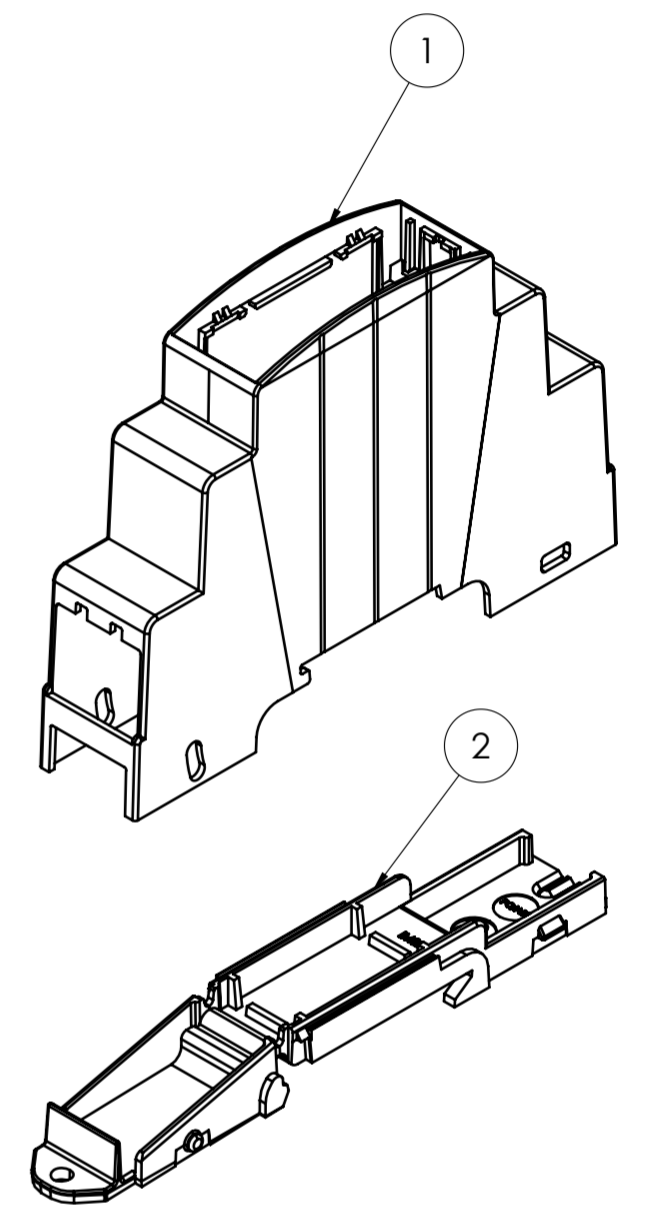


BASE



General information:
 - Workpiece zero point for mechanical processing
 - Minimum recommended radius for machining = R1.0 mm
 - Mounting rail like EN 60715: TH 35-7.5 or TH 35-15
 - Recommended PCB outline on www.italtronic.com

Revisions			
Rev.	Description	Date	Mod. by
1	Modificato il sistema di aggancio della base.	12/06/2024	M.S.



RIF.	Q.TY	DRAWING	DESCRIPTION
1	1	2_250_03632	BODY ENCLOSURE MODULBOX XTS 1MS3-A1P VERTICAL CLAMPS
2	1	2_250_00092	BASE MODULBOX XTS 1M

General Tolerance UNI EN 22768/1 Media (m)						Sheet:
from 0.5 to 3	from 3 to 6	from 6 to 30	from 30 to 120	from 120 to 400		1
± 0.1	± 0.1	± 0.2	± 0.3	± 0.5		
Scale:	IM:	Drawn:	Checked:	Date:	Material:	Process:
1:1	--	R.N.	R.N.	24/06/2022		
Dimension in mm		Replaces the:		Derived from:	Weight:	Cod. Mold:
		--		--	gr	--

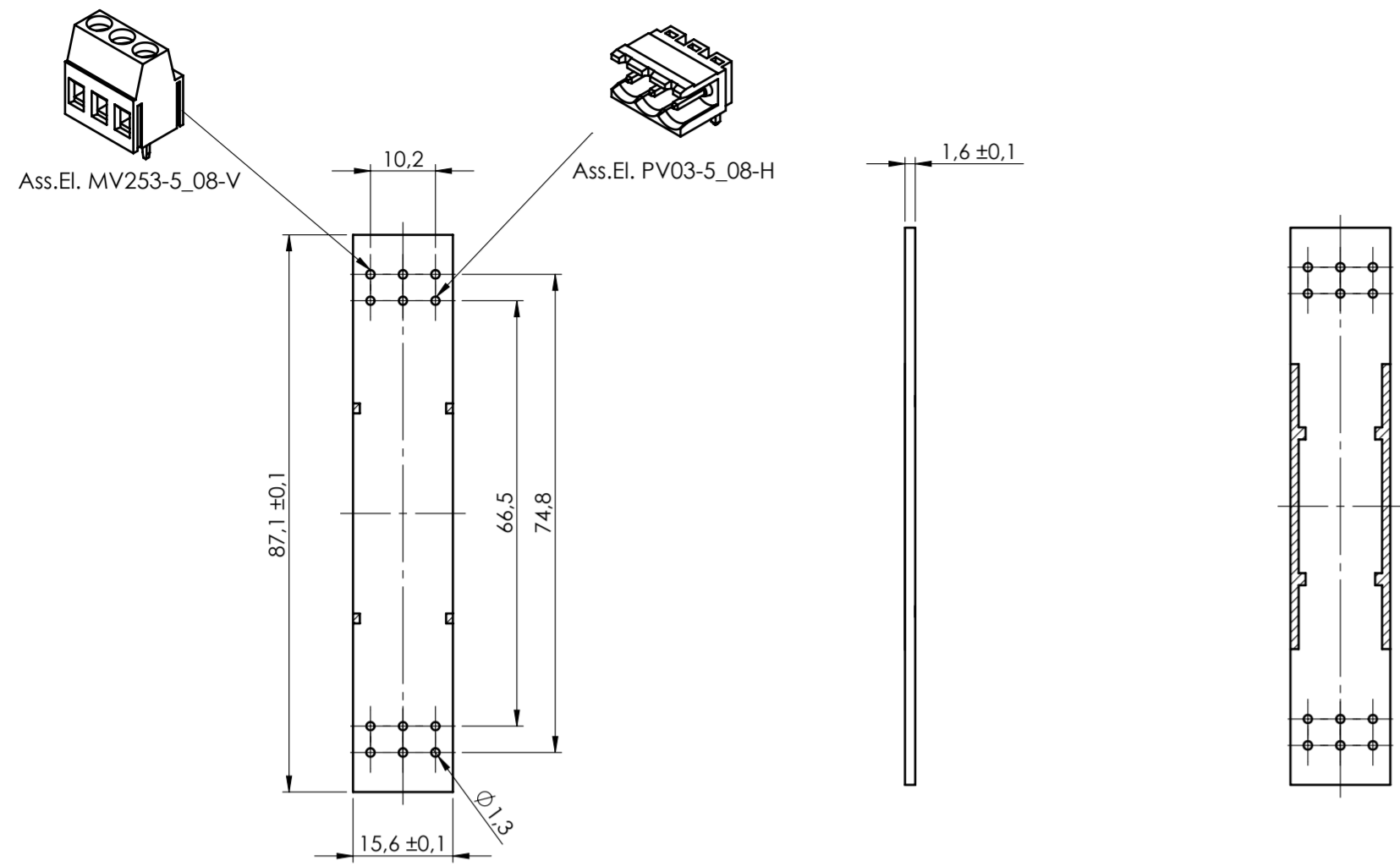
italtronic
enclosures for electronics
italtronic.com

Description:
KIT CONTENITORE MODULBOX XTS 1MS3-A 1P MORSETTI VERTICALI
KIT ENCLOSURE MODULBOX XTS 1MS3-A 1P VERTICAL TERMINALS

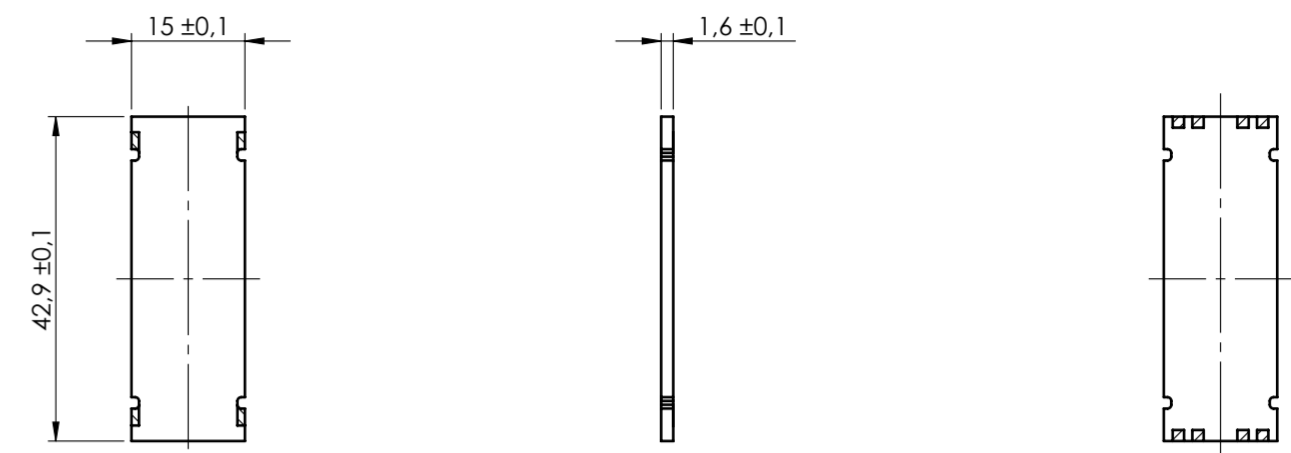
Drawing nr.: **3_250_00081**

Rev.: **01** A2

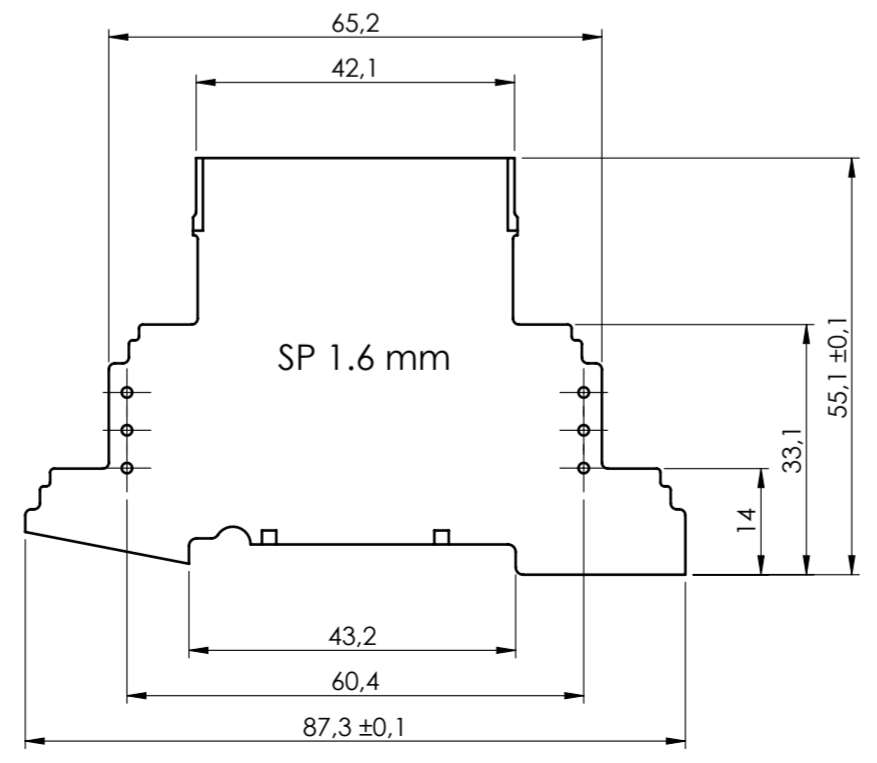
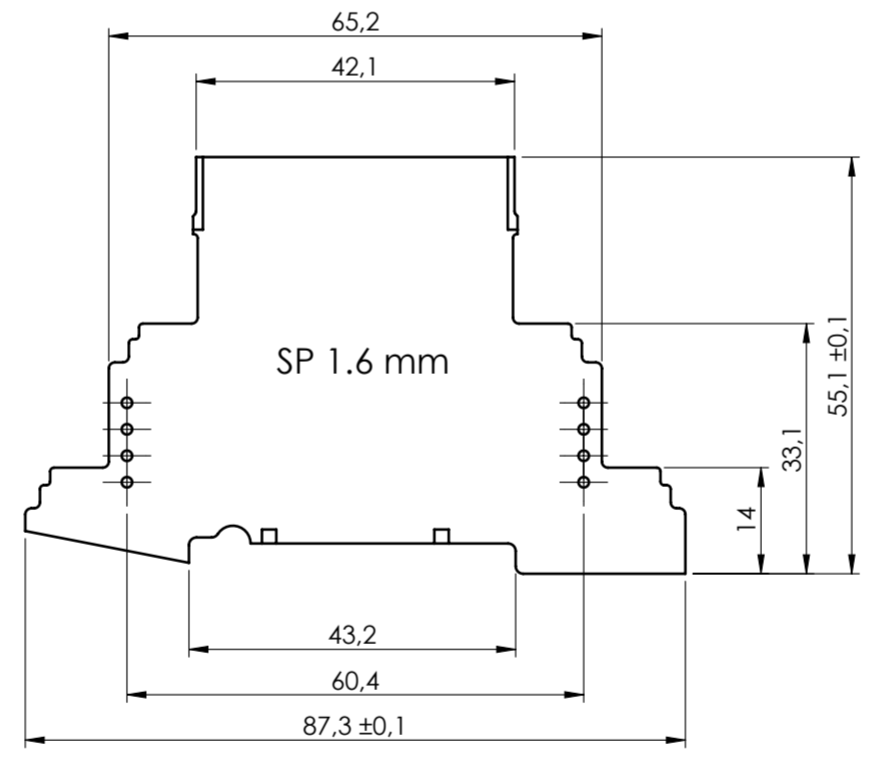
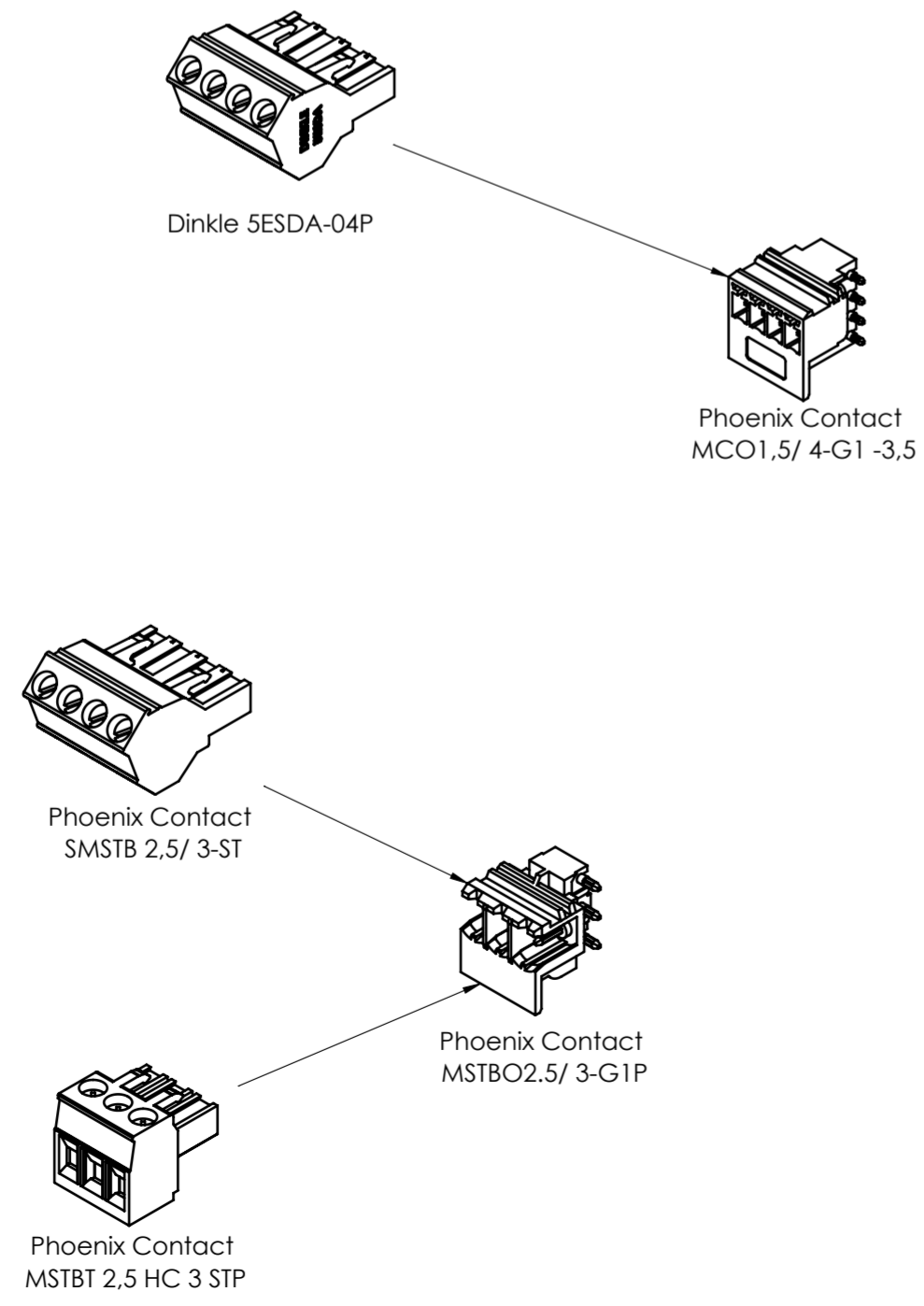
PCB A



PCB C



PCB V



NO COMPONENTS AREA

General Tolerance UNI EN 22768/1 Media (m)					Sheet:
from 0.5 to 3 ± 0.1	from 3 to 6 ± 0.1	from 6 to 30 ± 0.2	from 30 to 120 ± 0.3	from 120 to 400 ± 0.5	PCB
Scale: 1:1	IM: --	Drawn: R.N.	Checked: R.N.	Date: 24/06/2022	Process:
Dimension in mm		Replaces the:	Derived from:	Weight: gr	Cod. Mold: --
Description: KIT CONTENITORE MODULBOX XTS 1MS3-A 1P MORSETTI VERTICALI KIT ENCLOSURE MODULBOX XTS 1MS3-A 1P VERTICAL TERMINALS					Rev.: 01 A2
Drawing nr.: 3_250_00081					