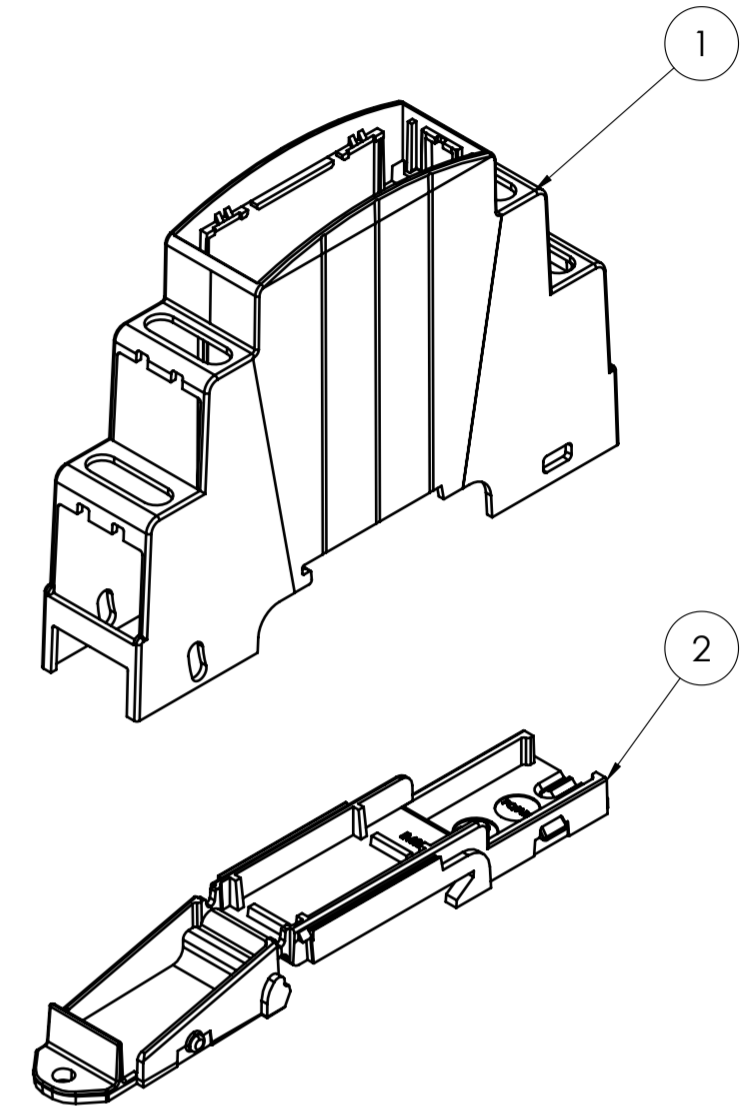


General information:  
 - Workpiece zero point for mechanical processing  
 - Minimum recommended radius for machining = R1.0 mm  
 - Mounting rail like EN 60715: TH 35-7.5 or TH 35-15  
 - Recommended PCB outline on [www.italtronic.com](http://www.italtronic.com)

Revisions			
Rev.	Description	Date	Mod. by
1	Modificato il sistema di aggancio della base.	12/06/2024	M.S.



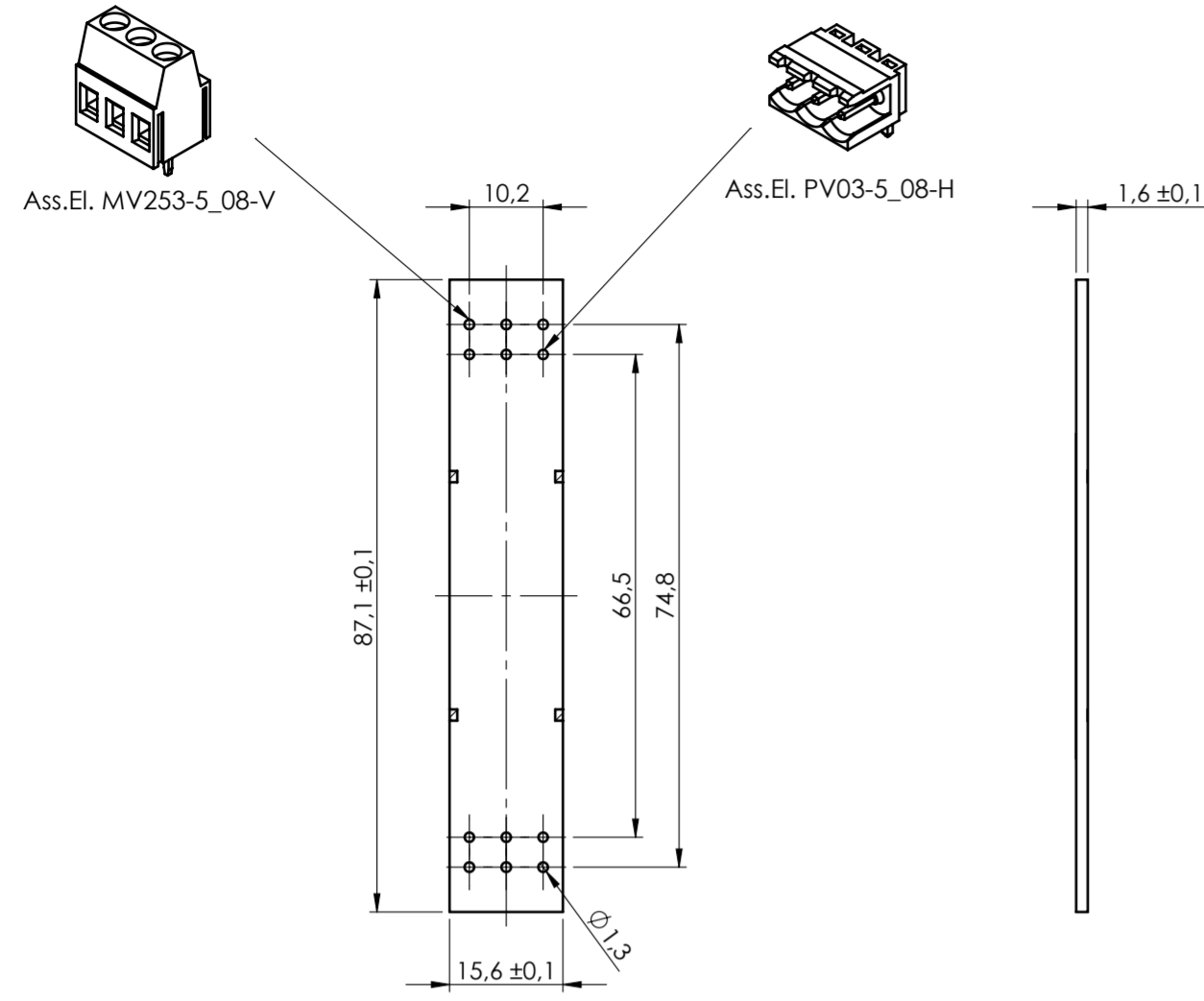
RIF.	Q.TY	DRAWING	DESCRIPTION
1	1	2_250_00163	BODY ENCLOSURE MODULBOX XTS 1M53-A2F
2	1	2_250_00092	BASE MODULBOX XTS 1M

General Tolerance UNI EN 22768/1 Media (m)					Sheet:
from 0.5 to 3 ± 0.1	from 3 to 6 ± 0.1	from 6 to 30 ± 0.2	from 30 to 120 ± 0.3	from 120 to 400 ± 0.5	1
Scale: IM:	Drawn:	Checked:	Date:	Material:	Process:
1:1	--	R.N.	04/07/2023	--	--
Dimension in mm	Replaces the:		Derived from:	Weight:	Cod. Mold:
	M-06127-00		--	gr	--

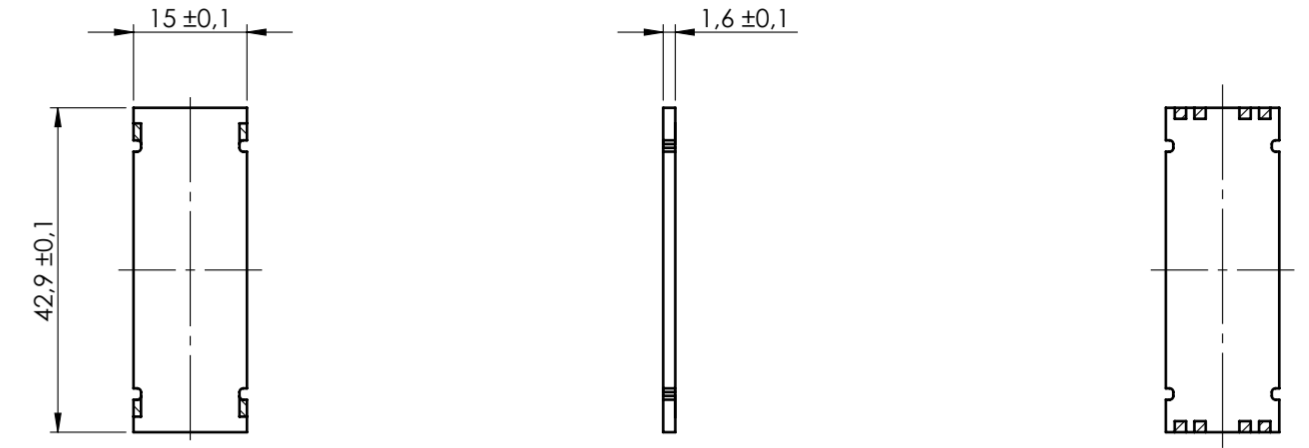
Description: KIT CONTENITORE MODULBOX XTS 1M53-A2F KIT ENCLOSURE MODULBOX XTS 1M53-A2F		Rev.:
Drawing nr.: <b>3_250_00132</b>		02 A2



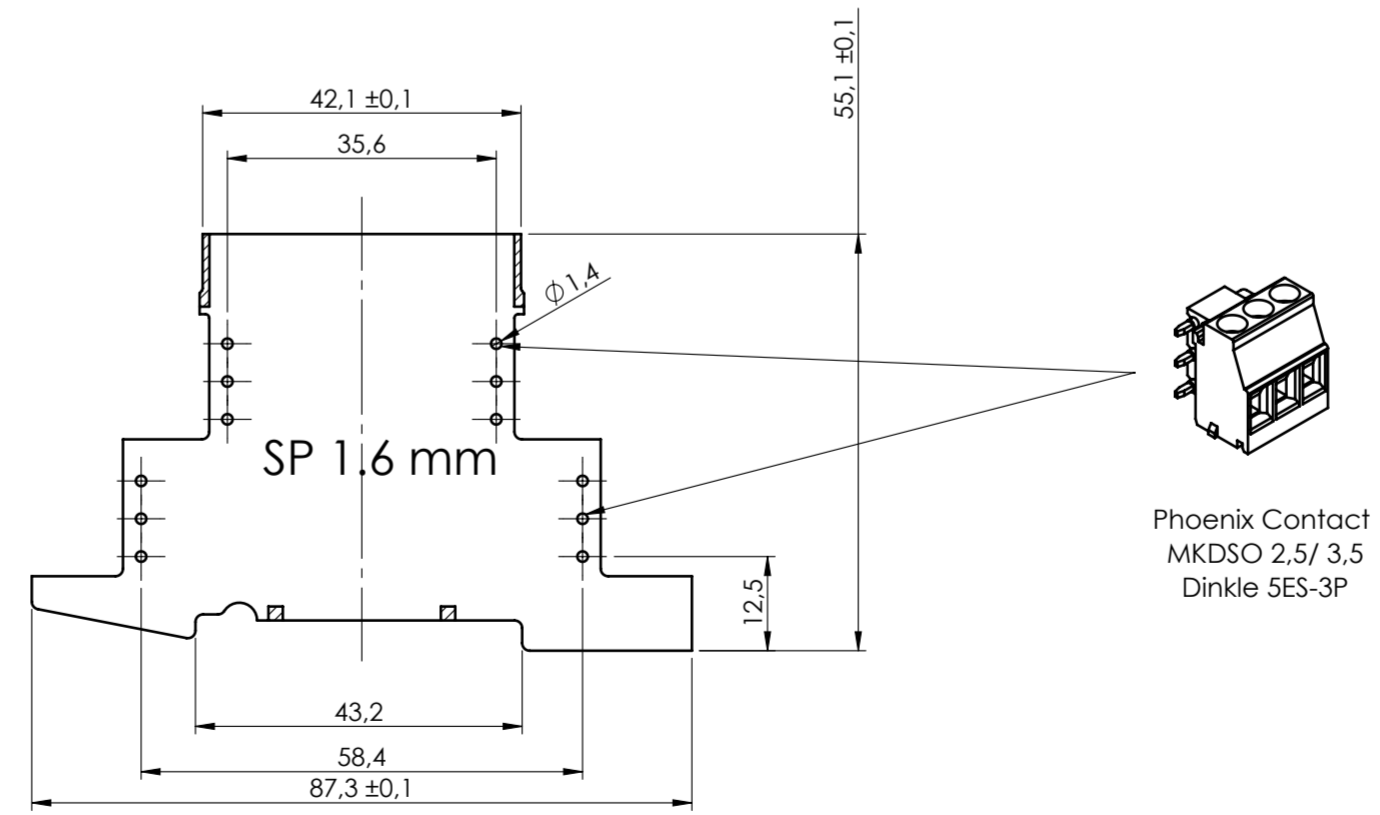
PCB A



PCB C



PCB V



General Tolerance UNI EN 22768/1 Media (m)					Sheet:
from 0.5 to 3 ± 0.1	from 3 to 6 ± 0.1	from 6 to 30 ± 0.2	from 30 to 120 ± 0.3	from 120 to 400 ± 0.5	PCB
Scale: 1:1	IM: --	Drawn: --	Checked: R.N.	Date: 04/07/2023	Process: --
Dimension in mm		Replaces the: M-06127-00	Derived from: --	Weight: gr	Cod. Mold: --
italtronic enclosures for electronics italtronic.com		Description: KIT CONTENITORE MODULBOX XTS 1MS3-A2F KIT ENCLOSURE MODULBOX XTS 1MS3-A2F			Rev.: 02
Drawing nr.: 3_250_00132				A2	

NO COMPONENTS AREA