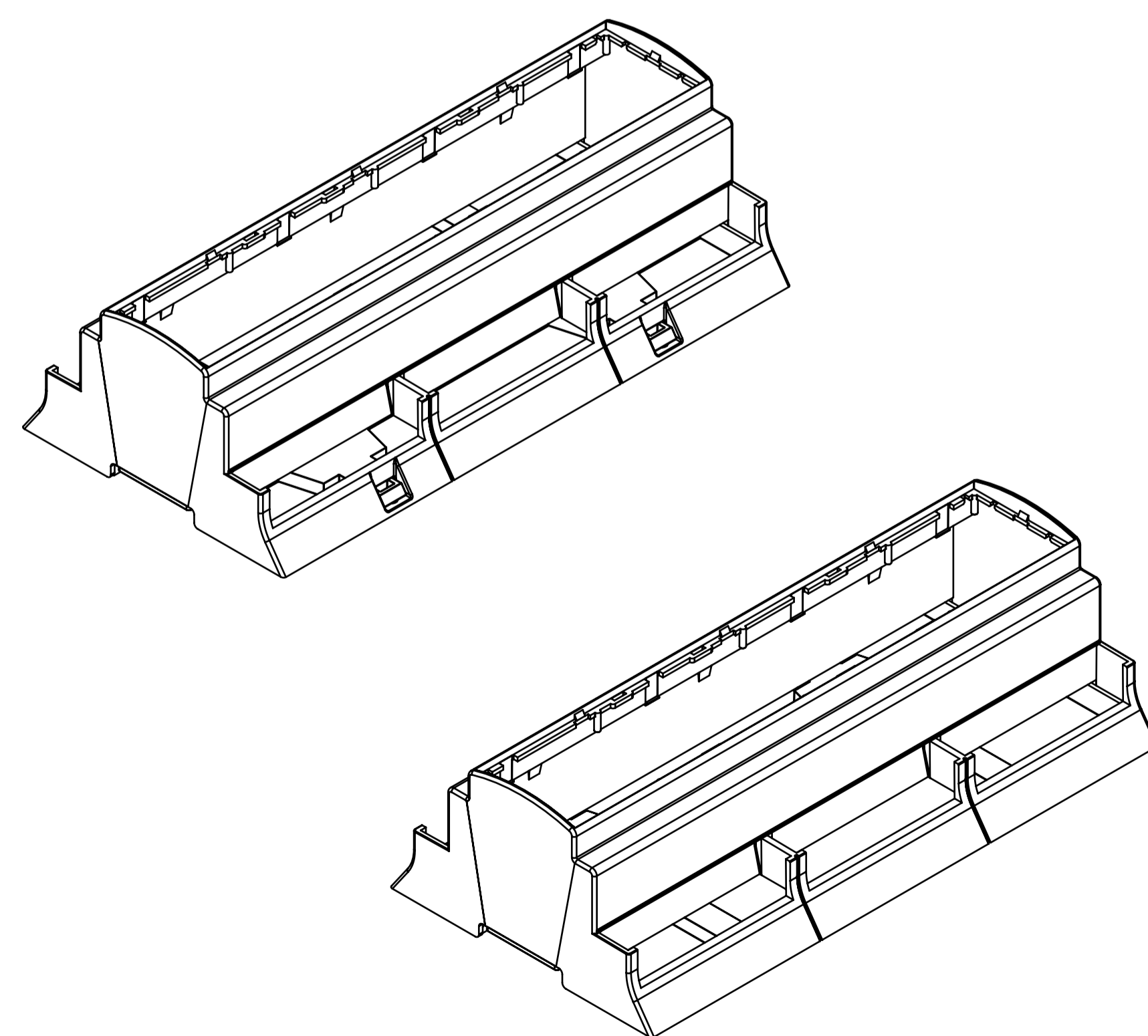
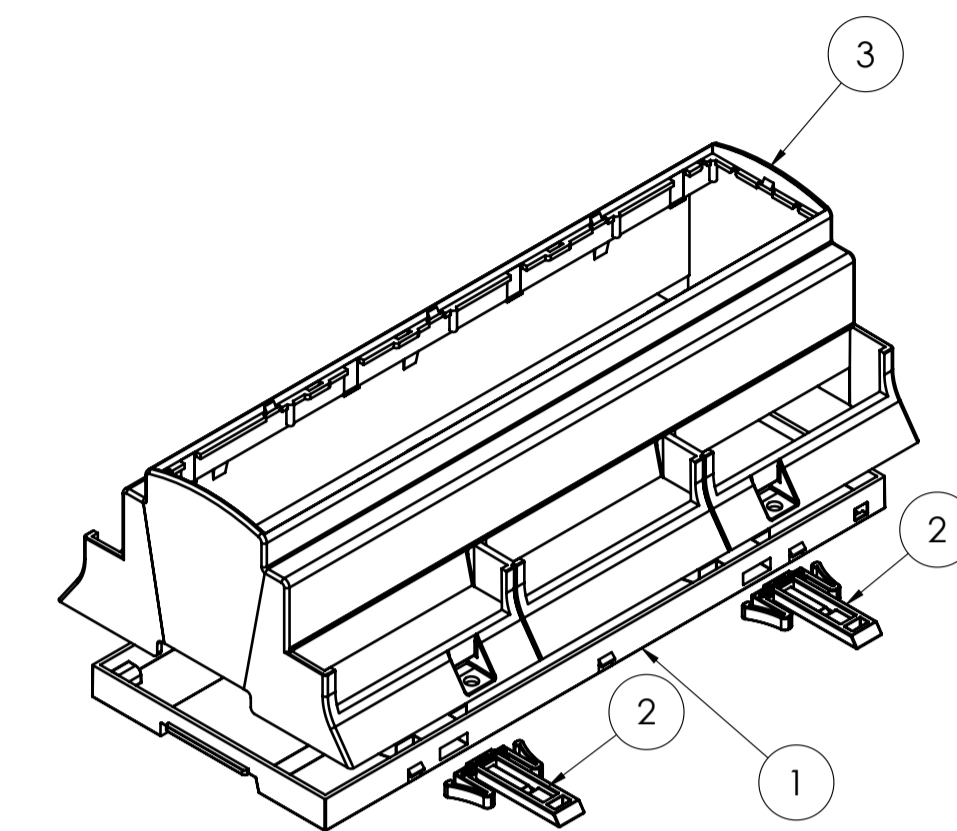
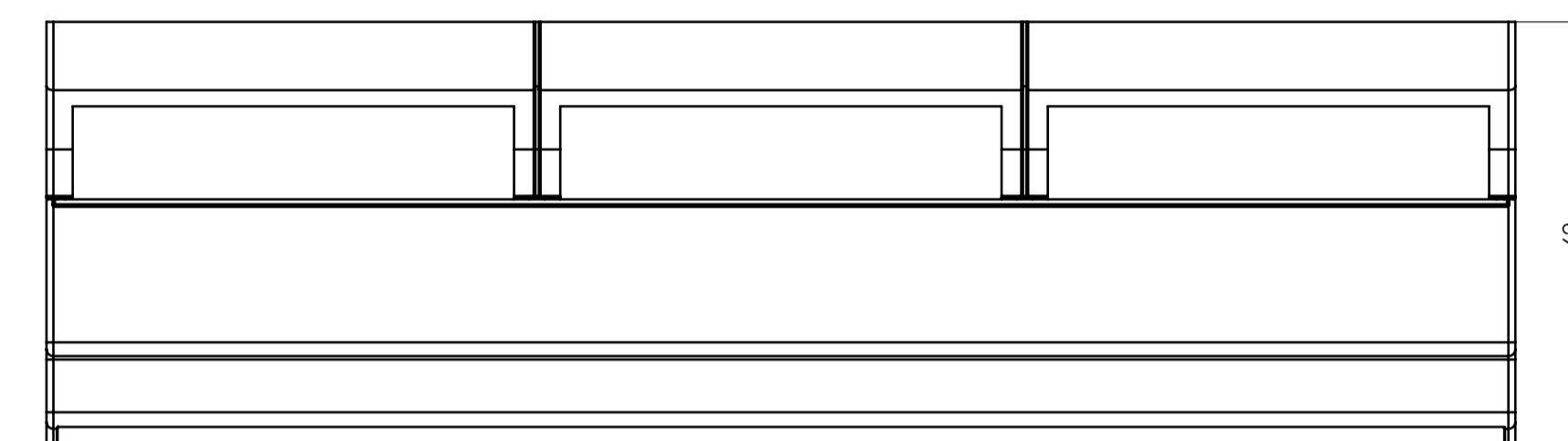
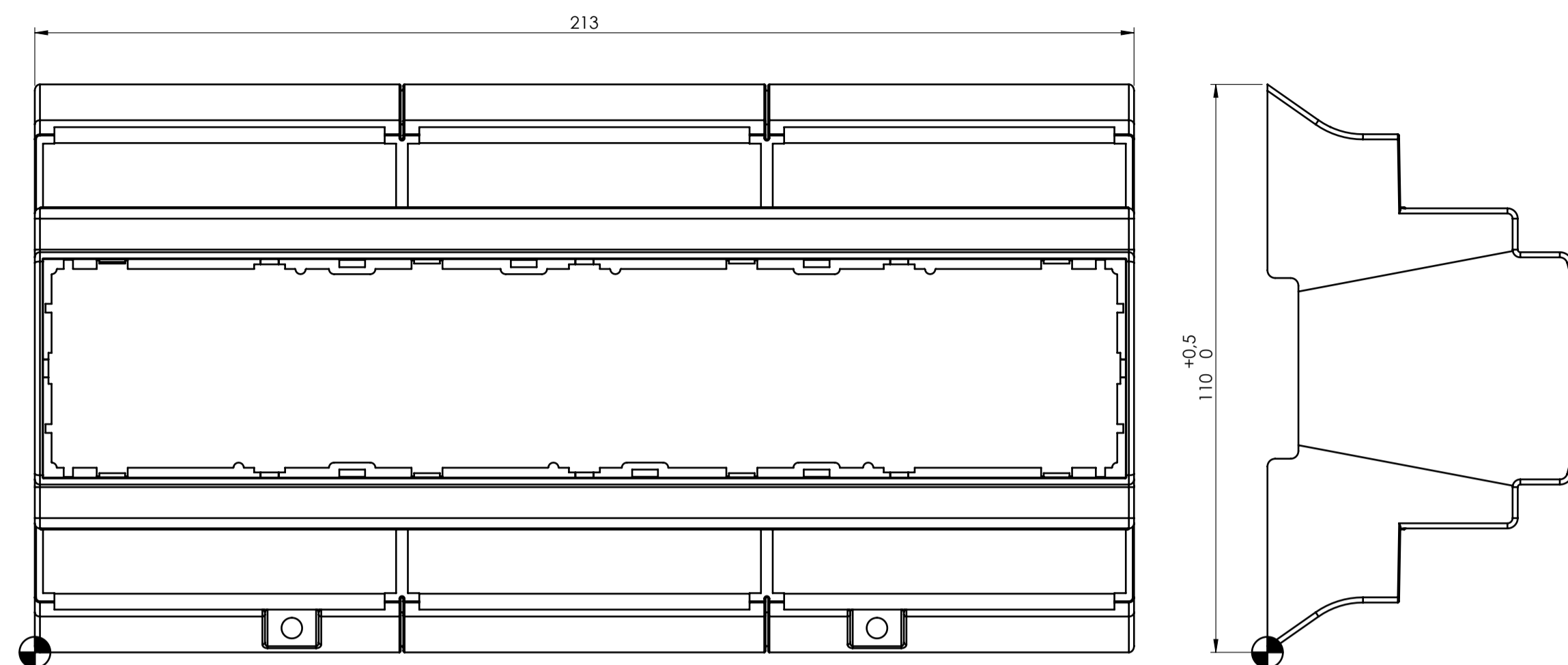
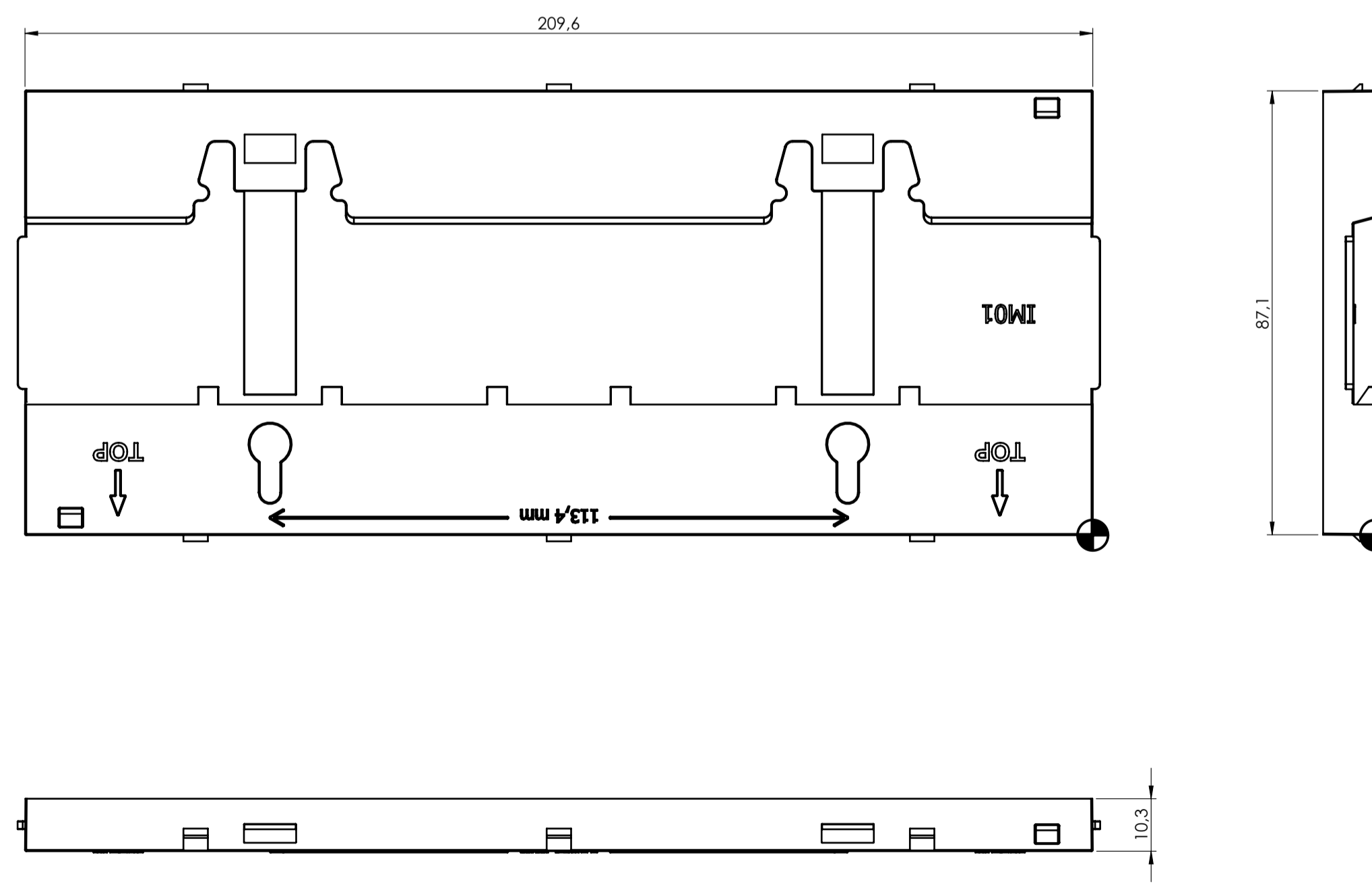


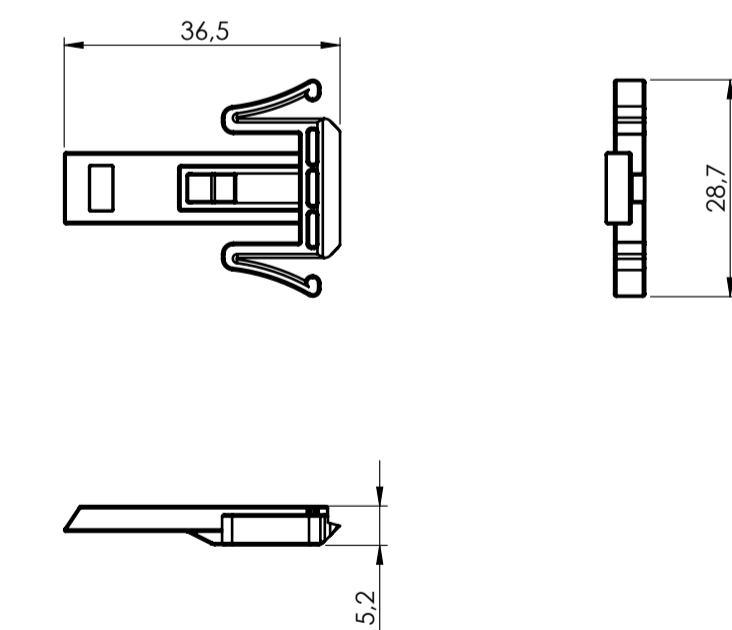
BODY ENCLOSURE



BASE



HOOK



General information:  
 - Workpiece zero point for mechanical processing  
 - Minimum recommended radius for machining = R1.0 mm  
 - Mounting rail like EN 60715: TH 35-15  
 - Recommended PCB outline on [www.italtronic.com](http://www.italtronic.com)

RIF.	Q.TY	DRAWING	DESCRIPTION
1	1	2_250_03627	BASE MODULBOX XT-XTS 12M
2	2	2_250_00072	HOOK FOR MODULBOX XT-XTS
3	1	2_250_00144	BODY ENCLOSURE MODULBOX XT 12M53-A

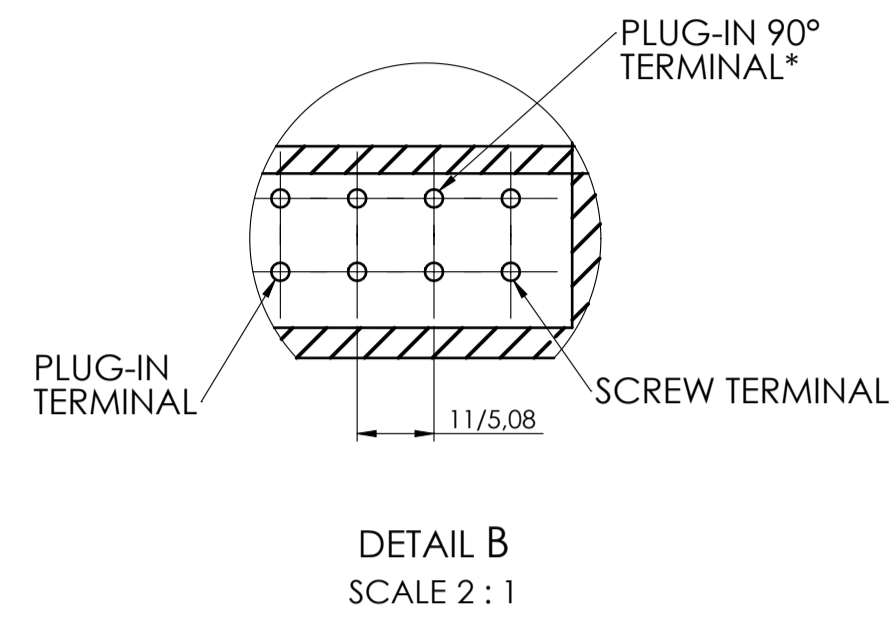
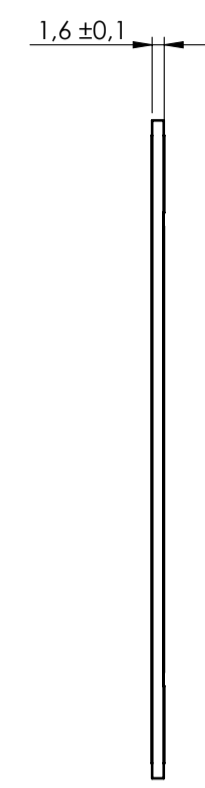
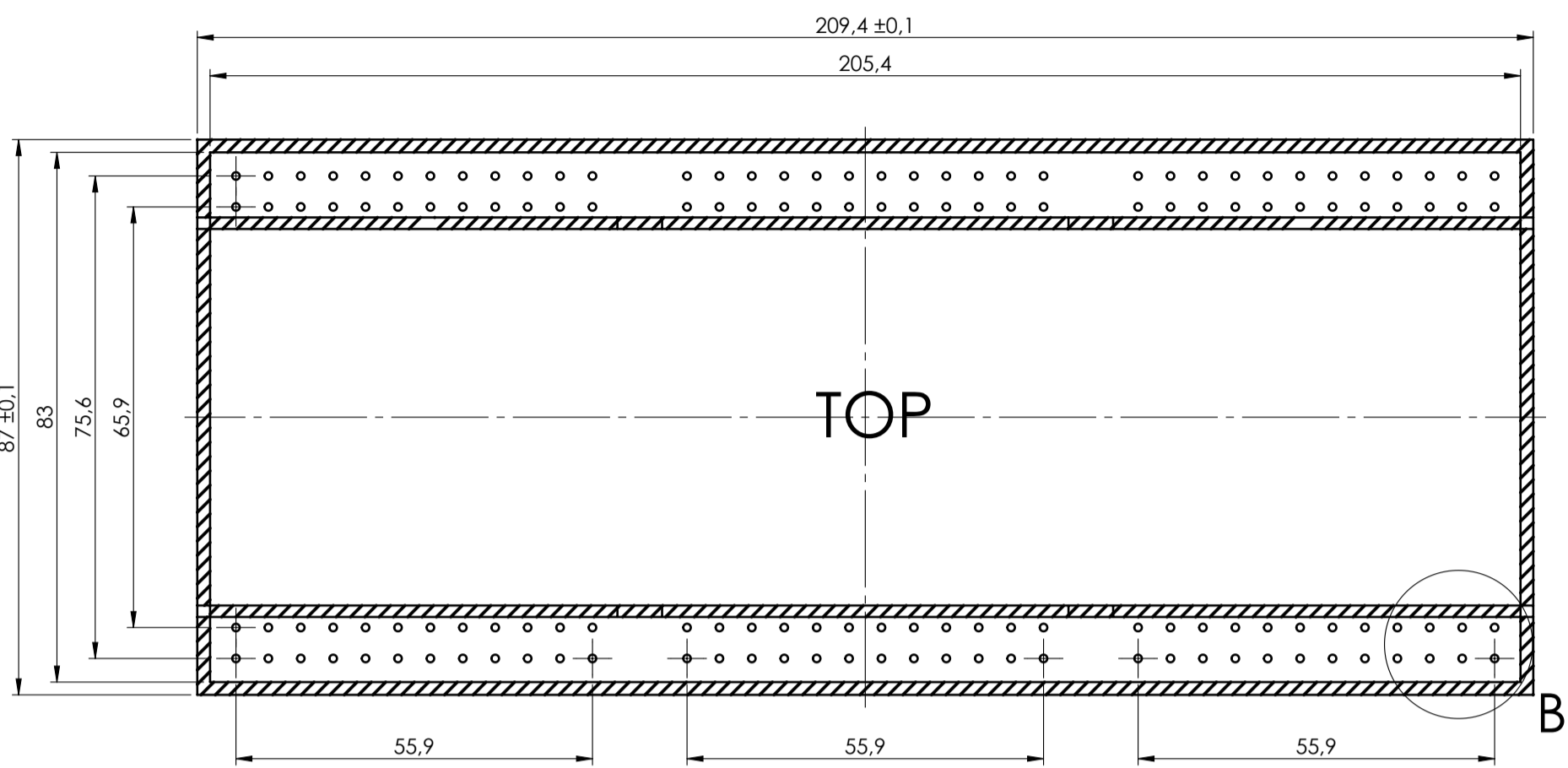
  

Dimension in mm	from 0.5 to 3	from 3 to 6	from 6 to 30	from 30 to 120	from 120 to 400	Sheet
General Tolerance (UNE EN 22768/1) Medio [mm]	±0.1	±0.1	±0.2	±0.3	±0.5	1
Scale:	1:1	R.N.	R.N.	06/04/2022	PC/ABS	INJECTION
Drawn:					52.55 gr	Cod. Mold:
Checked:						ST.0512500
Date:						
Material:						
Process:						
Derived from:						
Weight:						
Cod. Mold:						
ST.0512500						

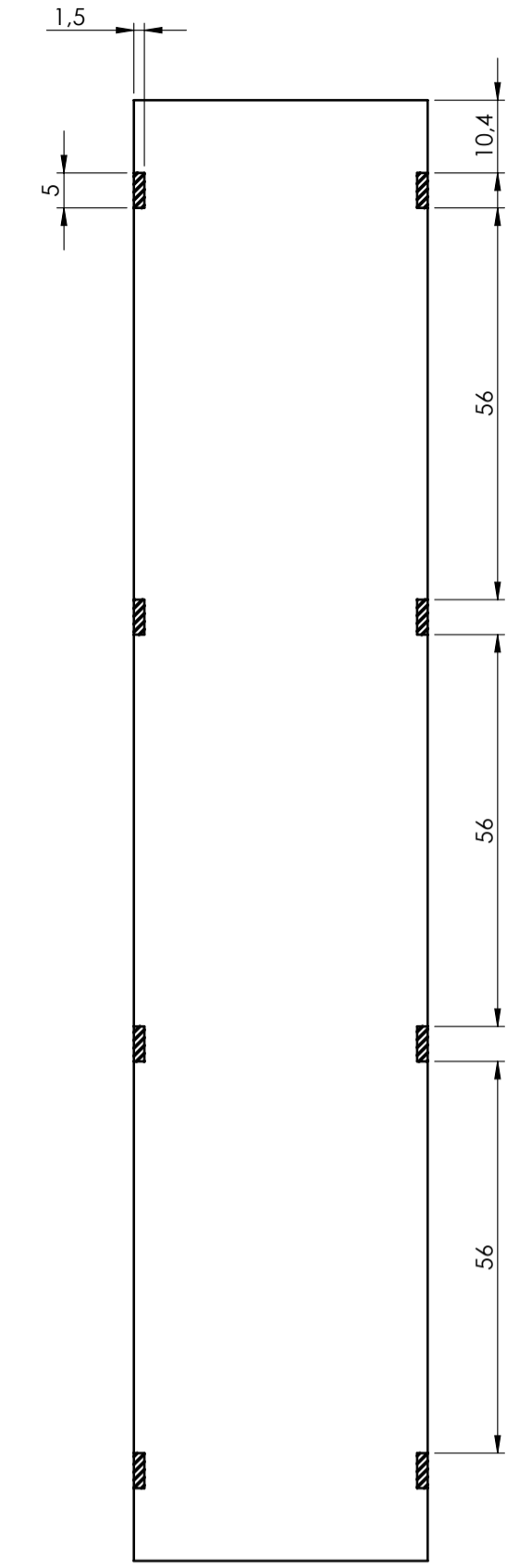
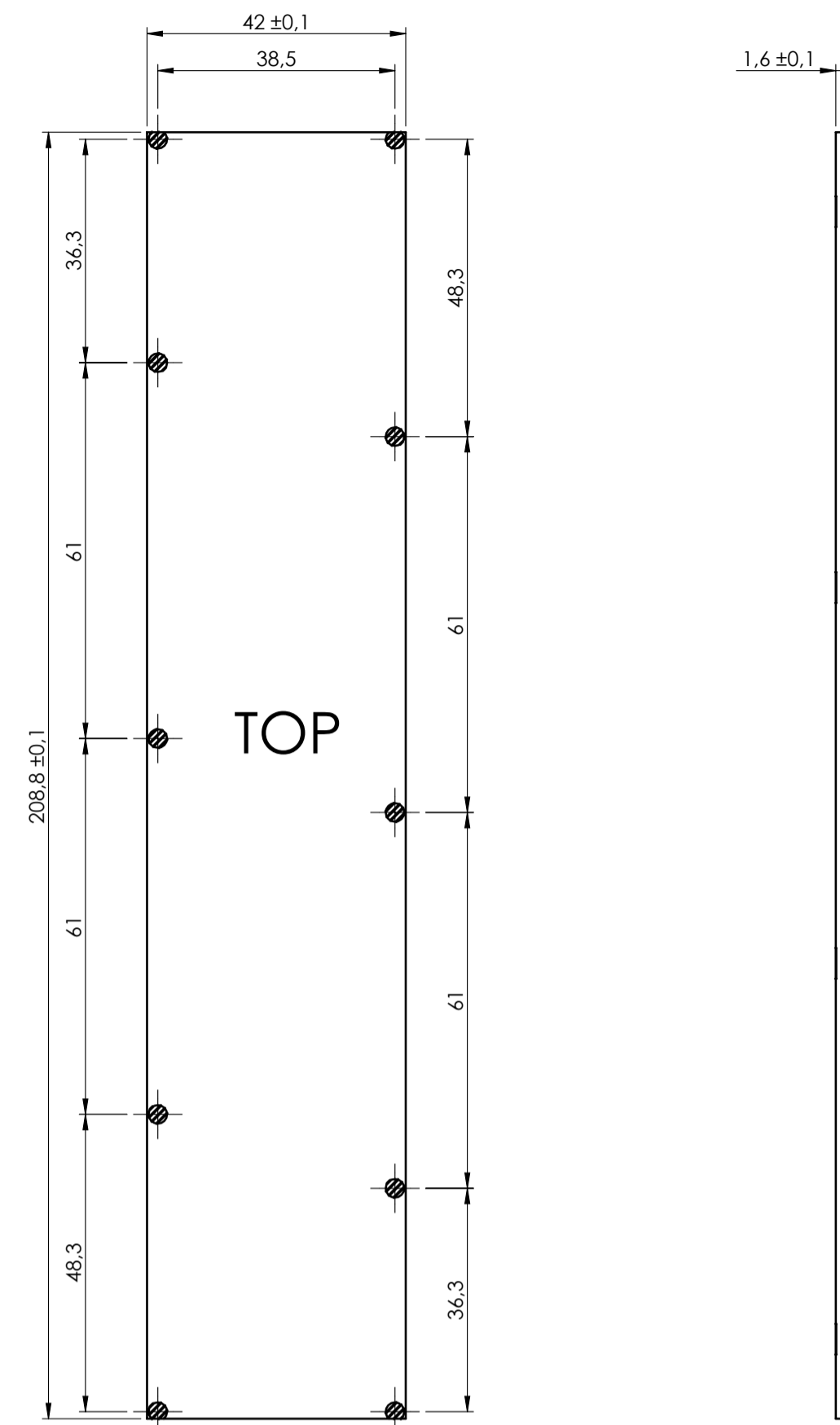
Description:  
 BASE MODULBOX XT-XTS 12M  
 BASE MODULBOX XT-XTS 12M  
 Drawing ref: **2\_250\_03627**  
 Rev: - A1

Max height of the terminal:  
 Modulbox XT/XTS: 18.5 mm  
 Modulbox ONE: 20 mm

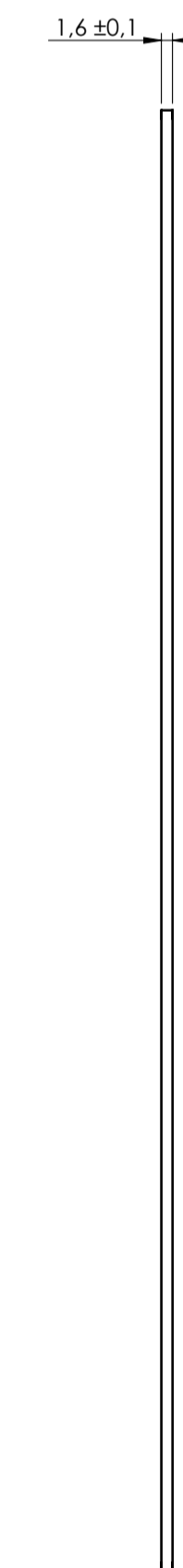
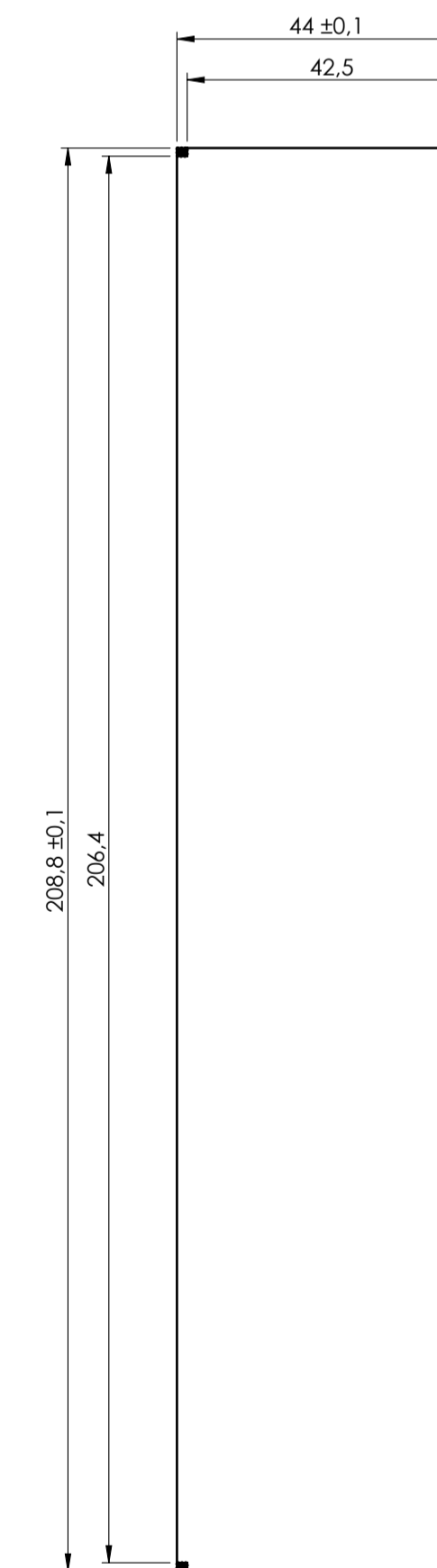
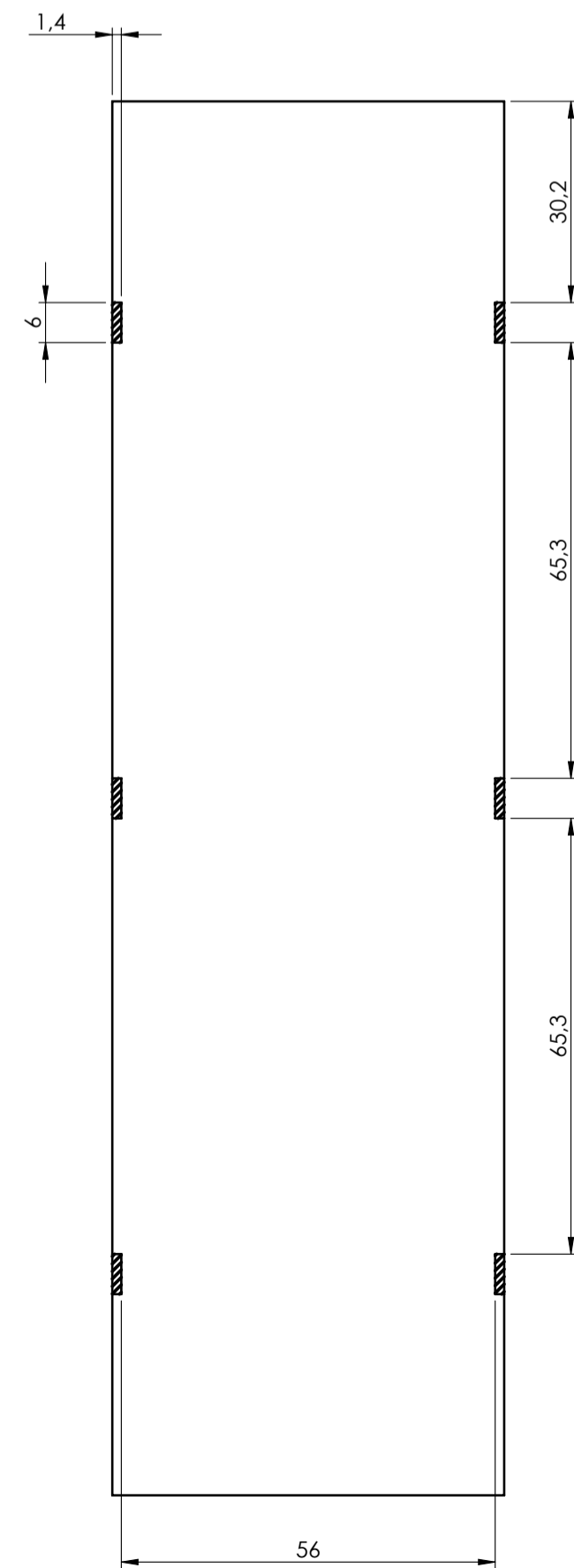
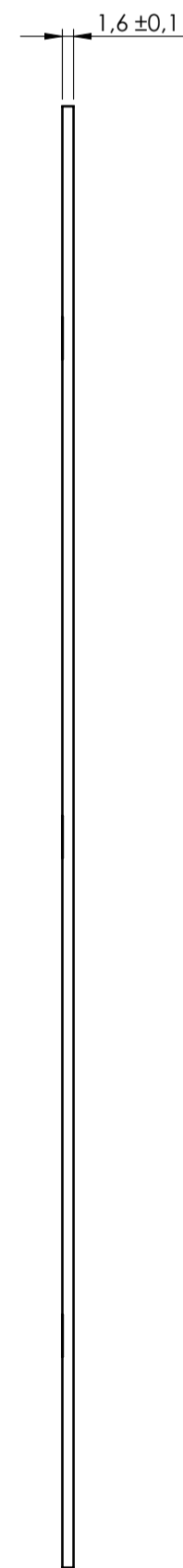
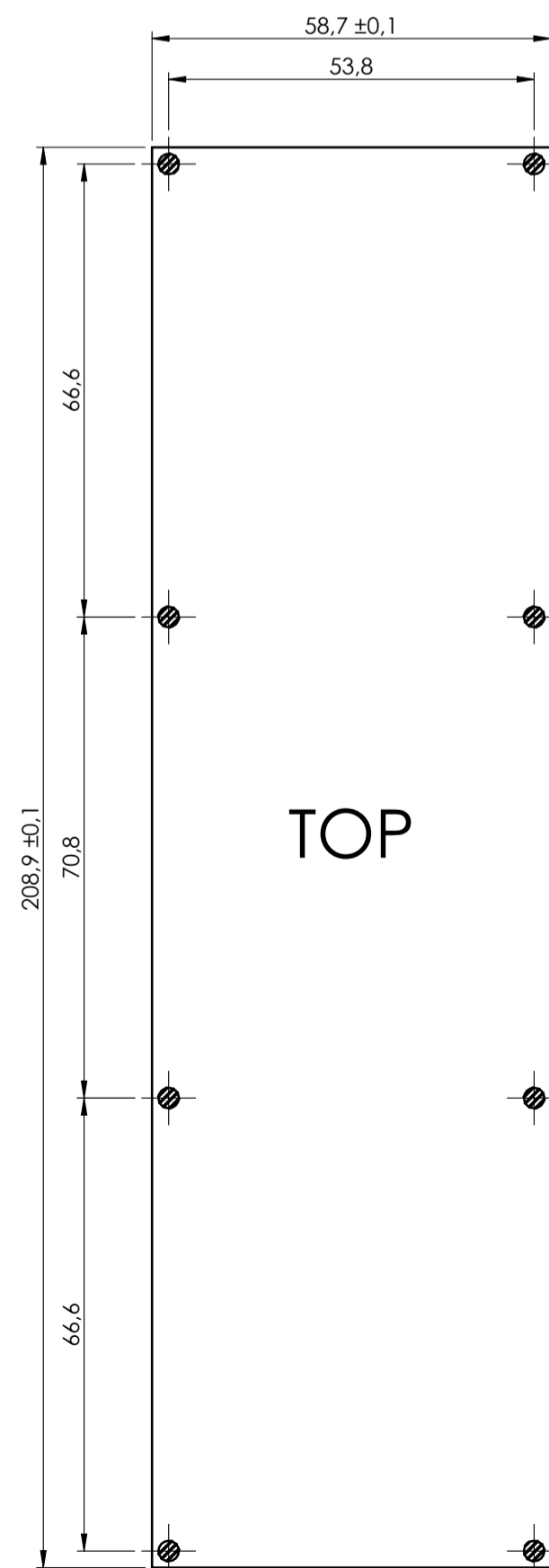
PCB A



PCB C



PCB B



General Tolerance UNE EN 22768/1 Medio (m)				Sheet:	
from 0.5 to 3 ± 0.1	from 3 to 6 ± 0.1	from 6 to 30 ± 0.2	from 30 to 120 ± 0.3	from 120 to 400 ± 0.5	PCB
Scale:	Drawn:	Checked:	Date:	Material:	Process:
1:1	R.N.	R.N.	06/04/2022	PC/ABS	INJECTION
Description:				Weight:	Cod. Mold:
BASE MODULBOX XT-XTS 12M BASE MODULBOX XT-XTS 12M				52.55 gr	ST.0512500
Drawing ref:				Rev.:	
2_250_03627				- A1	

NO COMPONENTS AREA

