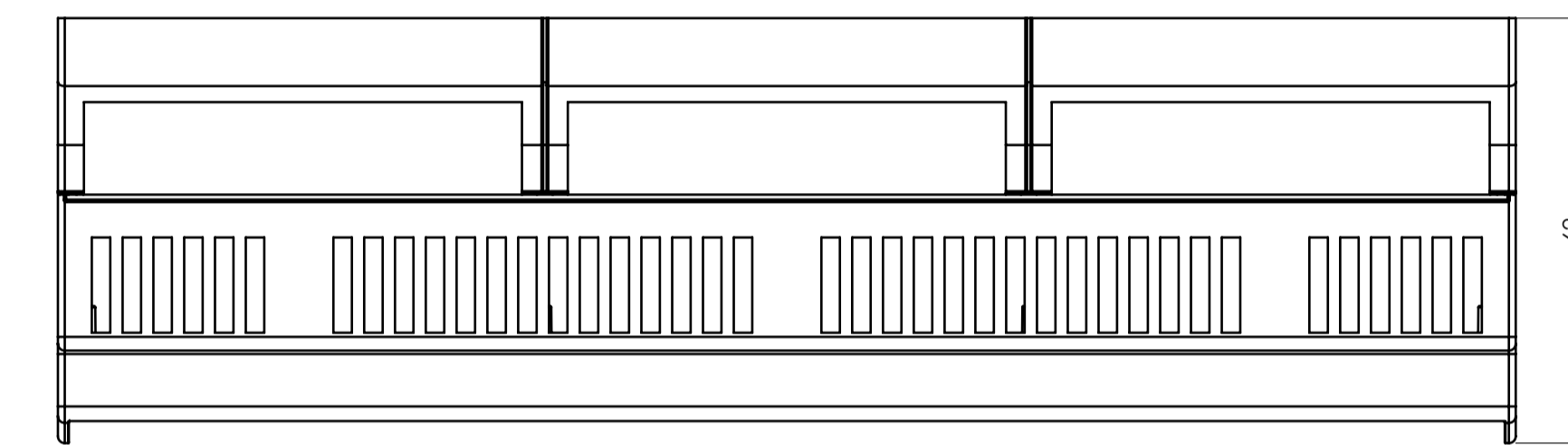
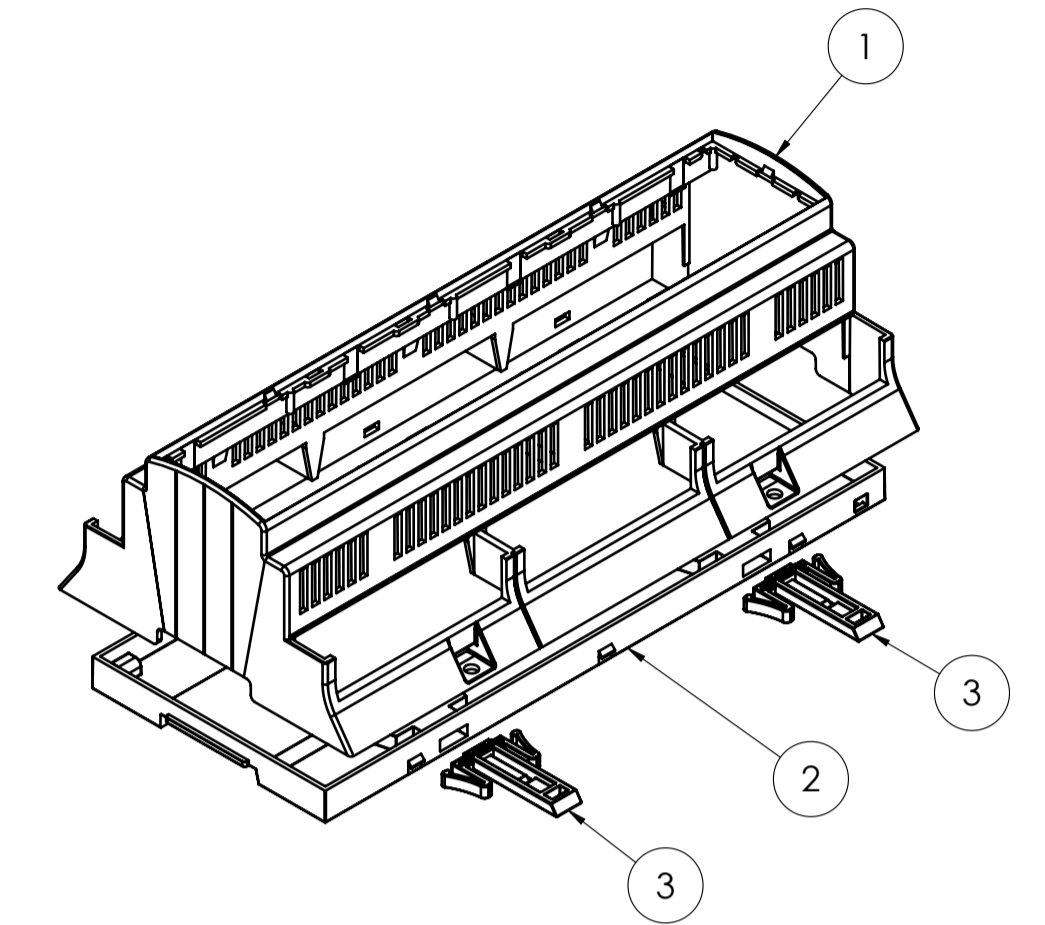
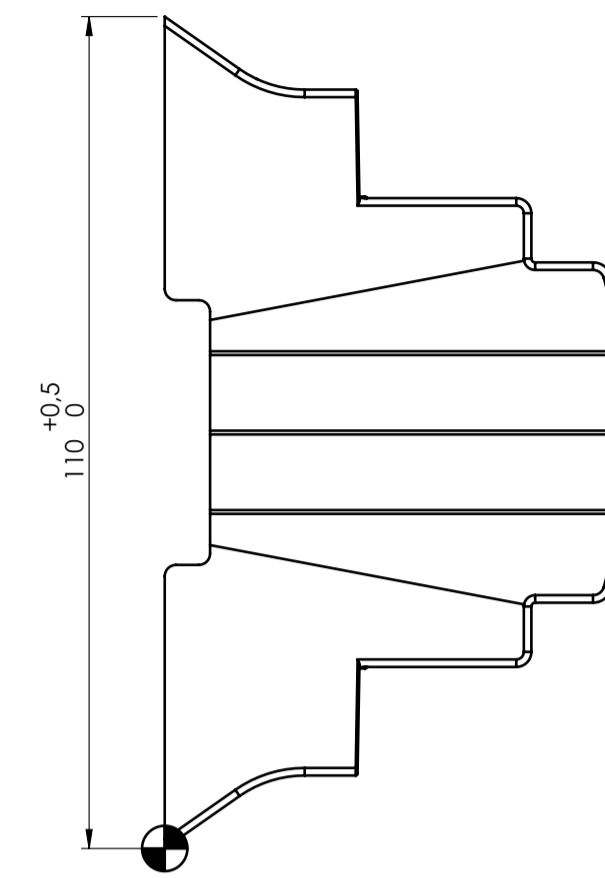
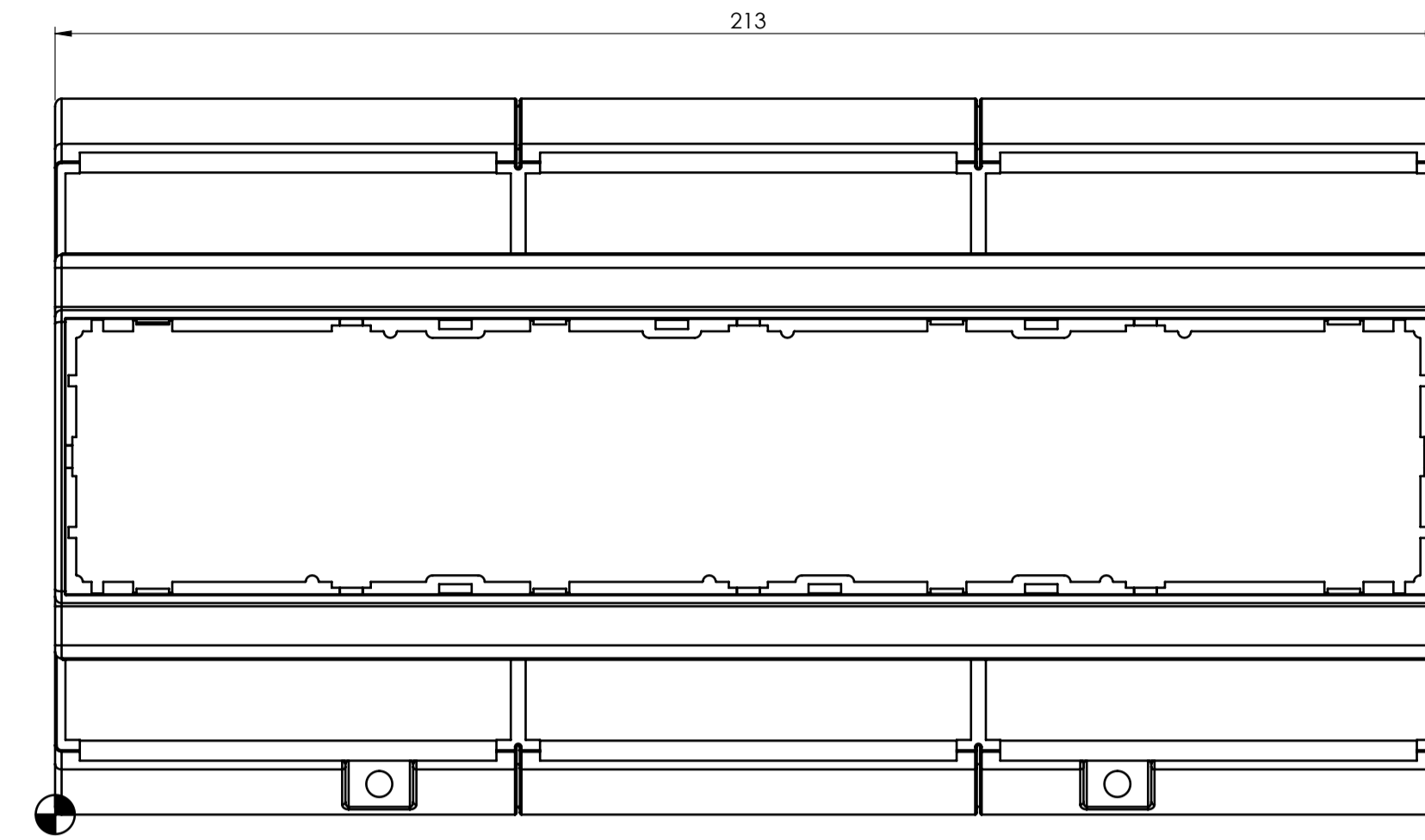
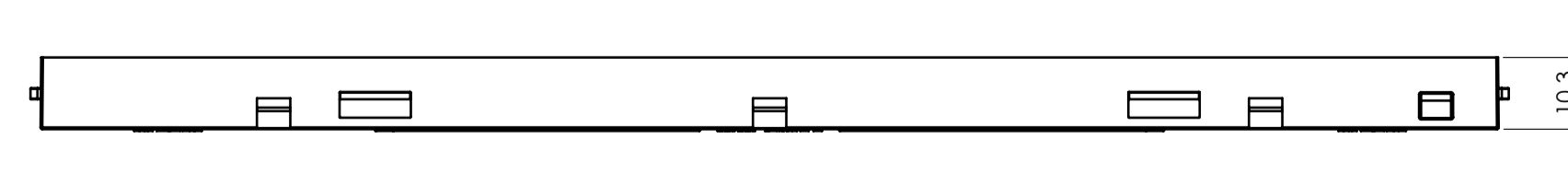
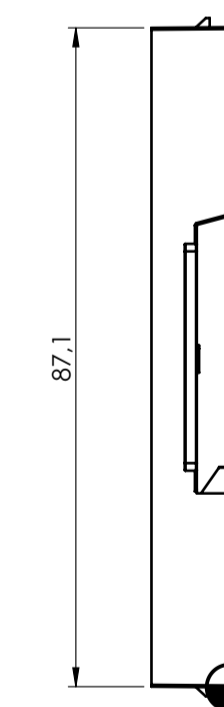
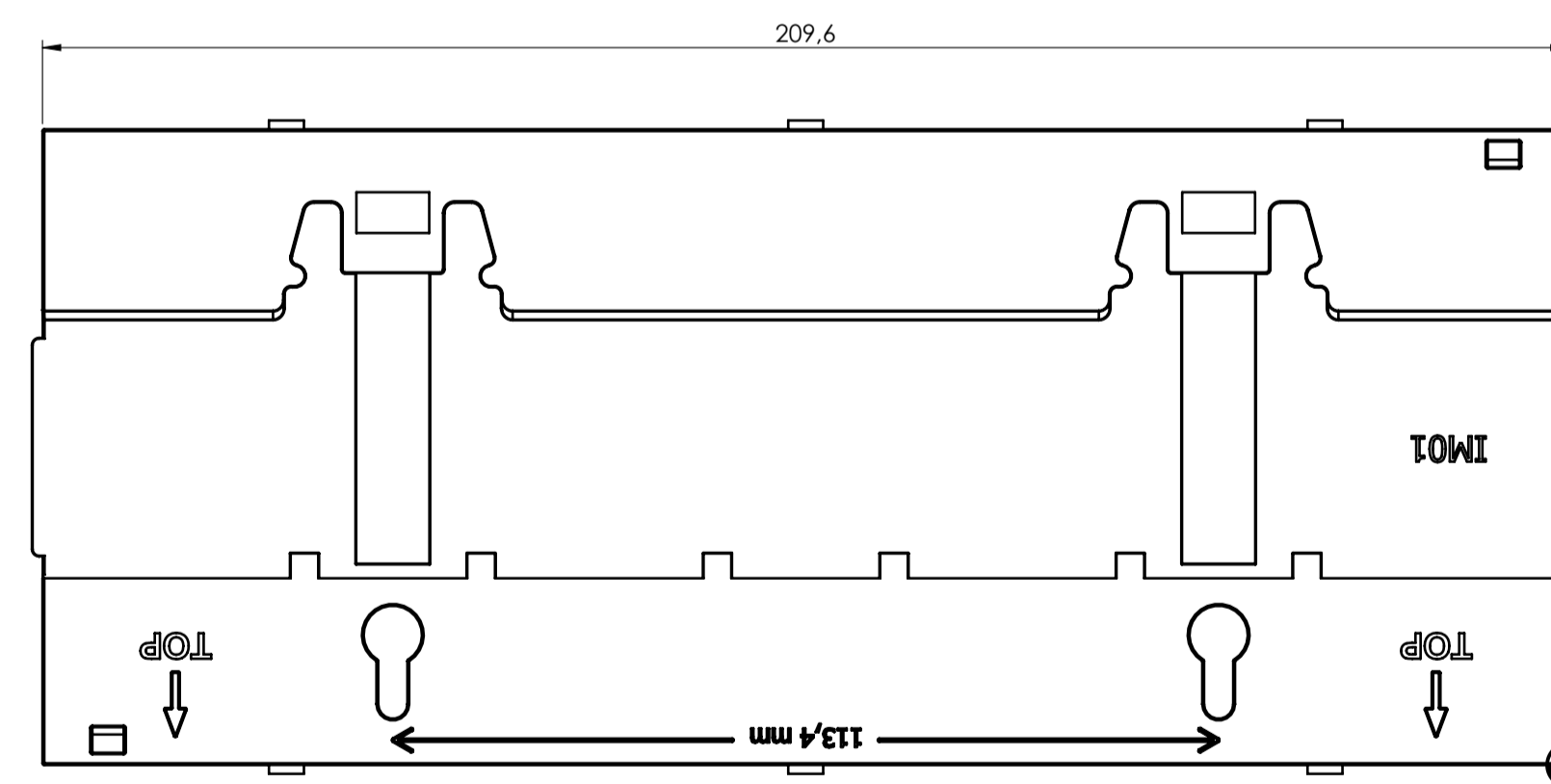


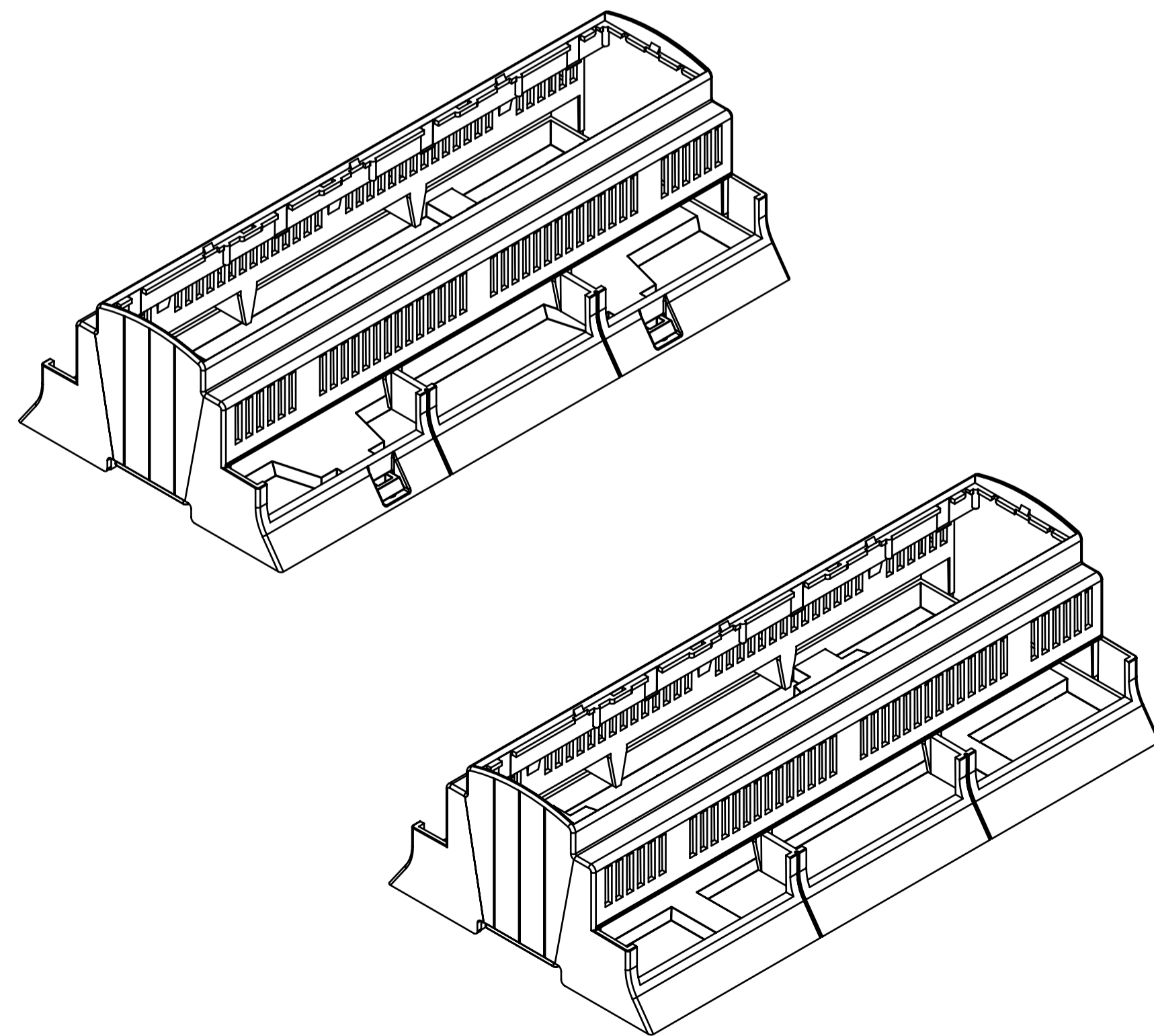
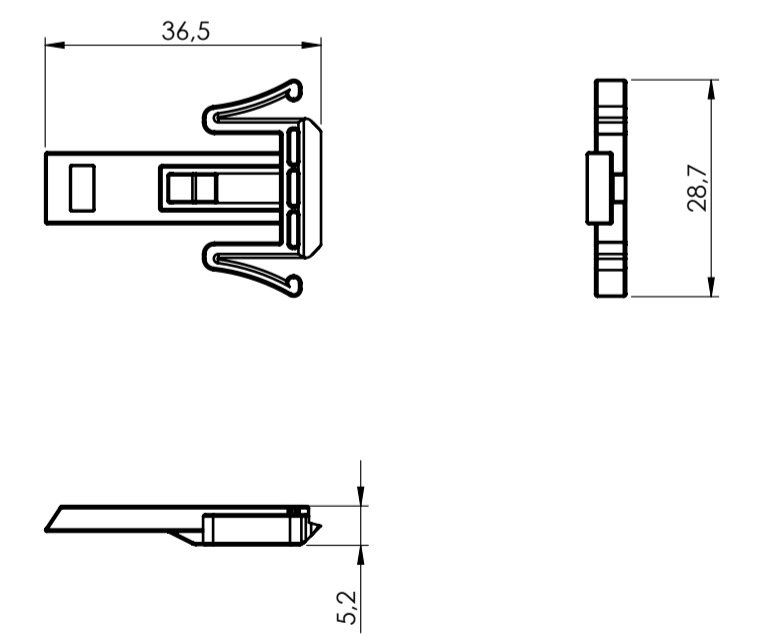
BODY ENCLOSURE



BASE



HOOK



General information:  
 - Workpiece zero point for mechanical processing  
 - Minimum recommended radius for machining = R1.0 mm  
 - Mounting rail like EN 60715: TH 35-15  
 - Recommended PCB outline on [www.italtronic.com](http://www.italtronic.com)

RIF.	Q.TY	DRAWING	DESCRIPTION
1	1	2_250_03897	BODY ENCLOSURE MODULBOX XT 12MH53V-A
2	1	2_250_03627	BASE MODULBOX XT-XTS 12M
3	2	2_250_00072	HOOK FOR MODULBOX XT-XTS

Dimension in mm	General Tolerances IRIE EN 22768/1 Media [mm]	Sheet:
from 0.5 to 3	from 3 to 6	1
± 0.1	± 0.1	
	from 6 to 30	
	± 0.2	
	from 30 to 120	
	± 0.3	
	from 120 to 400	
	± 0.5	

Scale:	Drawn:	Checked:	Date:	Material:	Process:
1:1	R.N.	R.N.	06/04/2022	PC/ABS	INJECTION

Weight:	Cod. Mold:	Rev.:
52.55 gr	ST.0512500	-

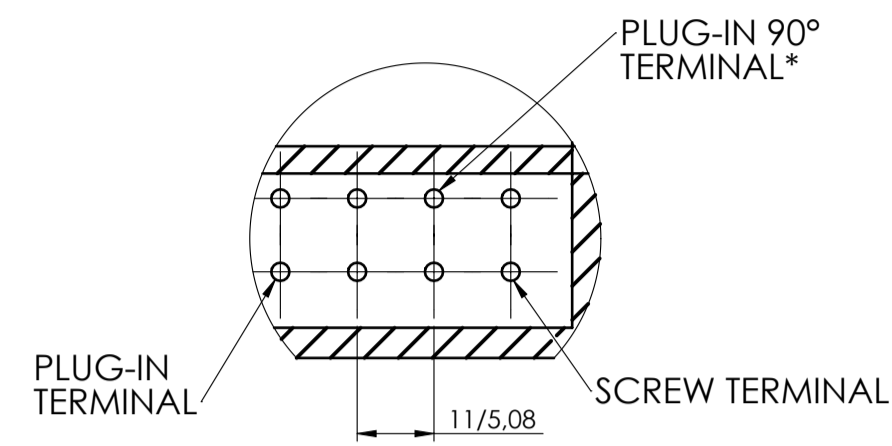
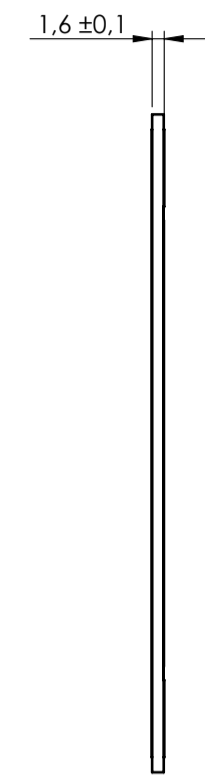
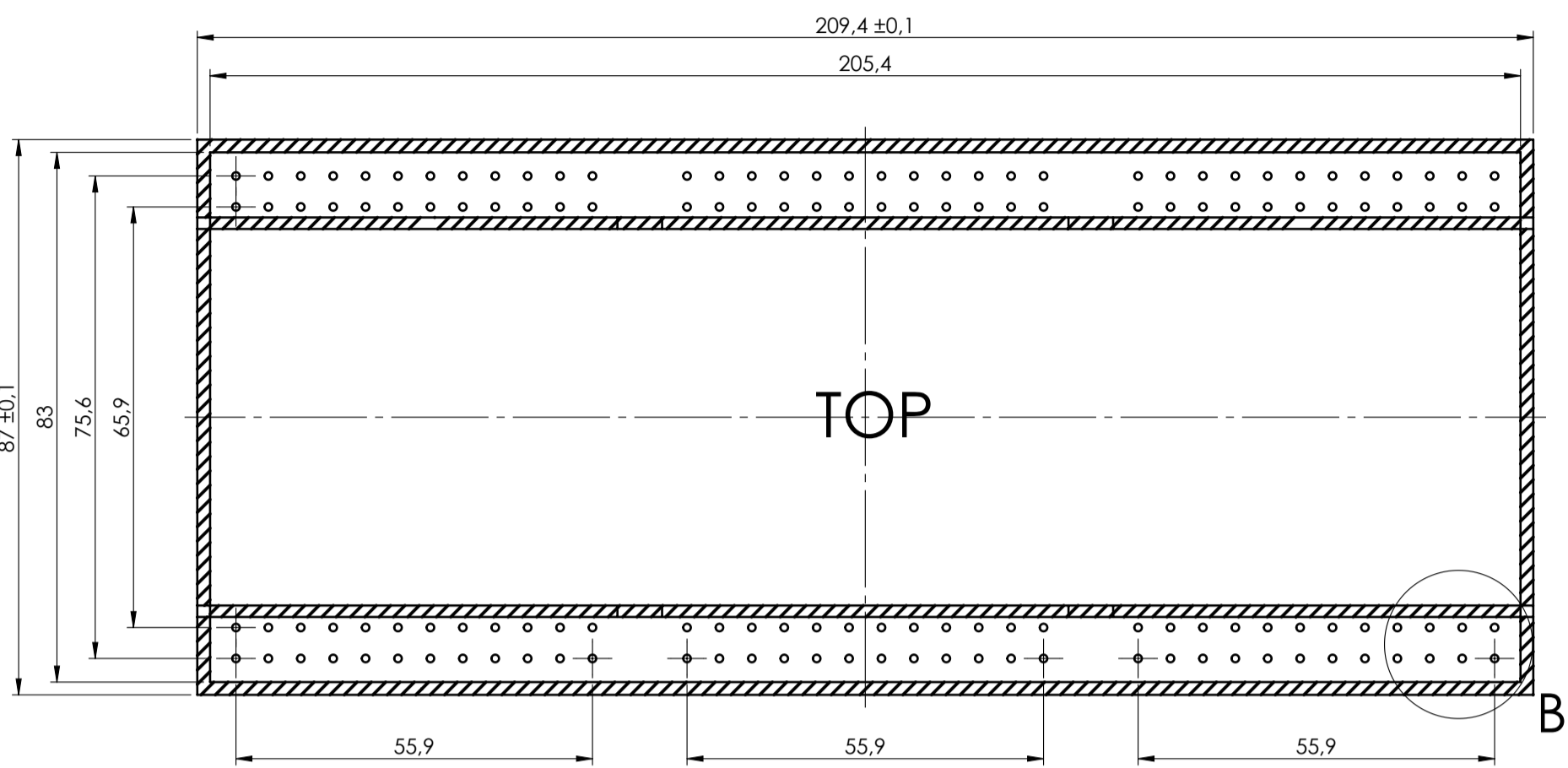
  

Description:	Drawing ref.	Rev.:
BASE MODULBOX XT-XTS 12M BASE MODULBOX XT-XTS 12M	2_250_03627	A1



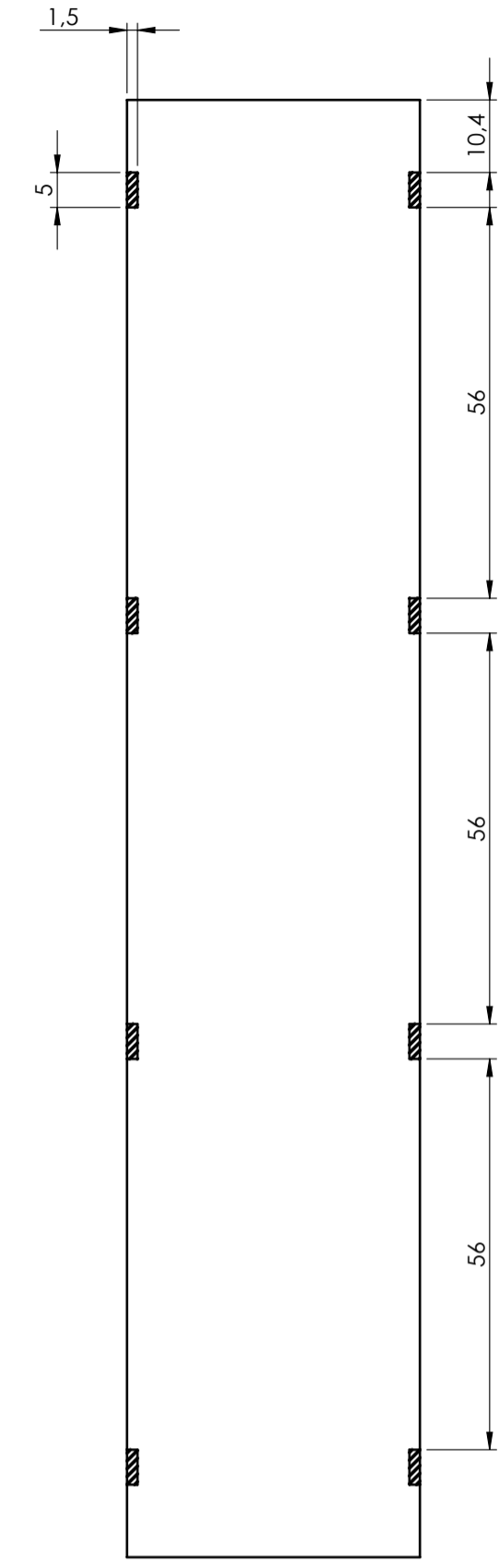
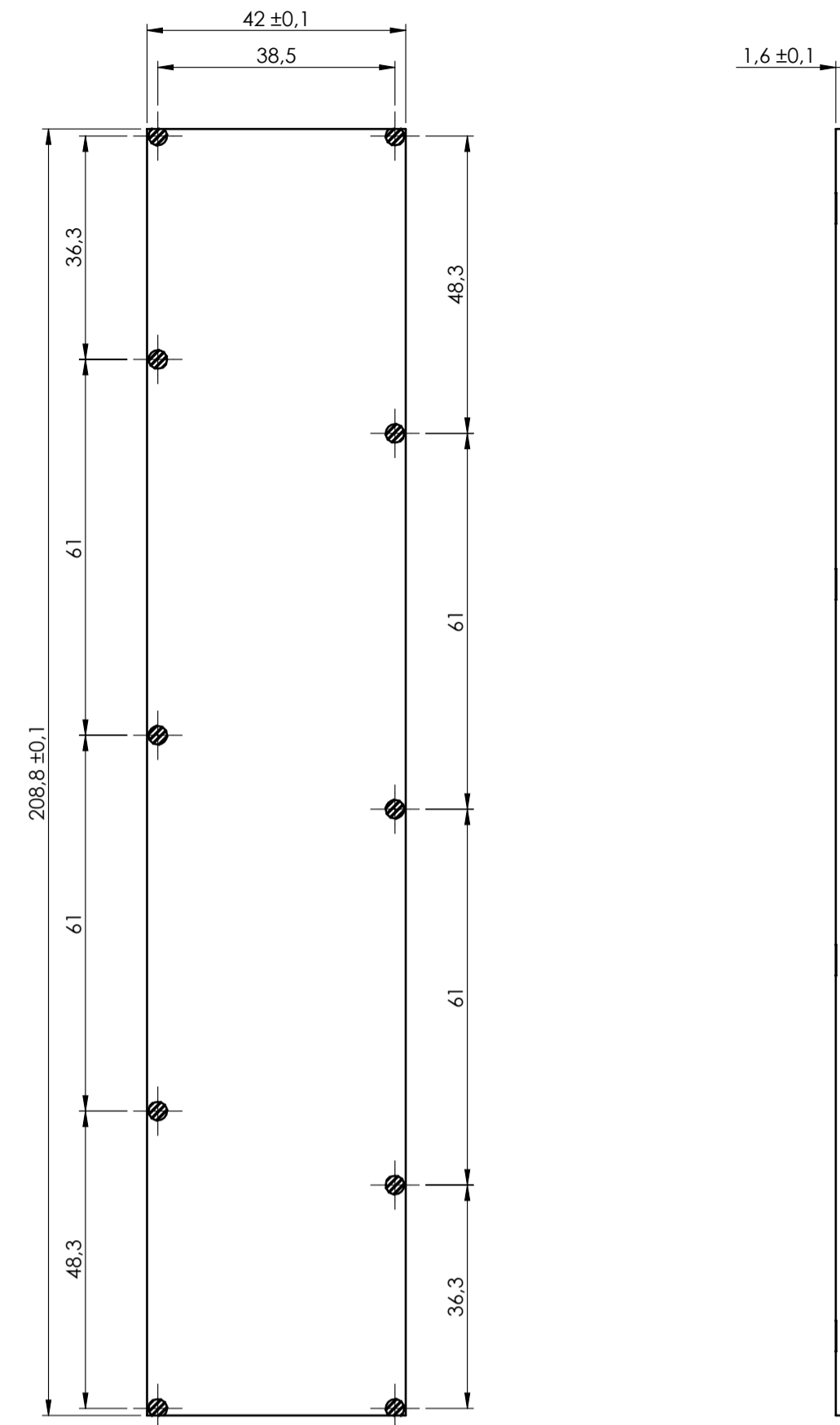
Max height of the terminal:  
 Modulbox XT/XTS: 18.5 mm  
 Modulbox ONE: 20 mm

PCB A

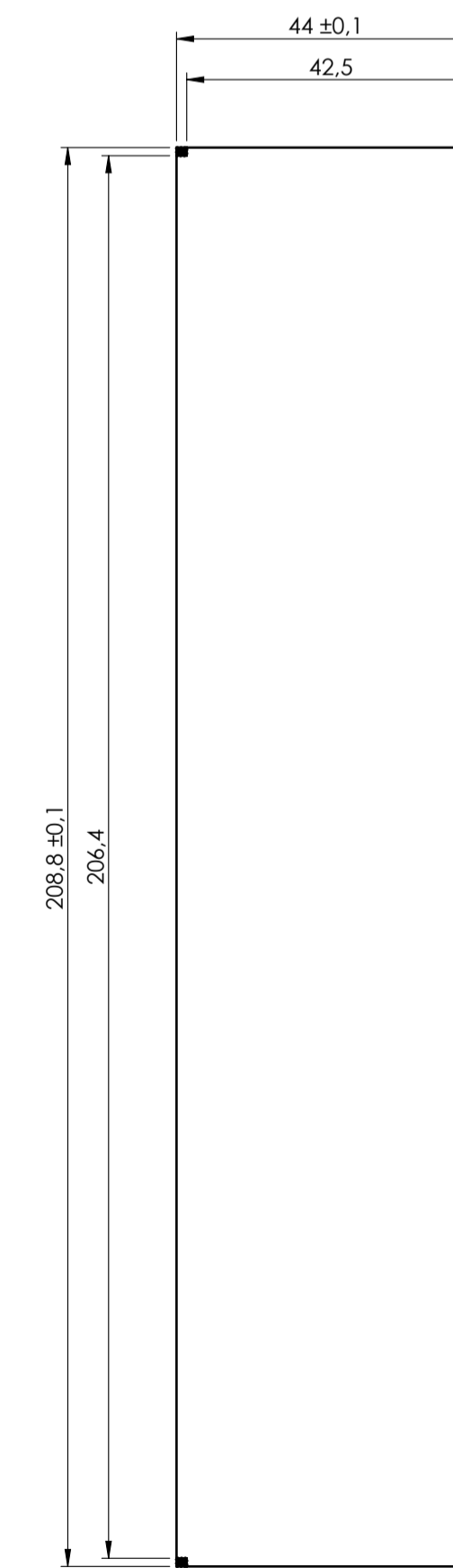
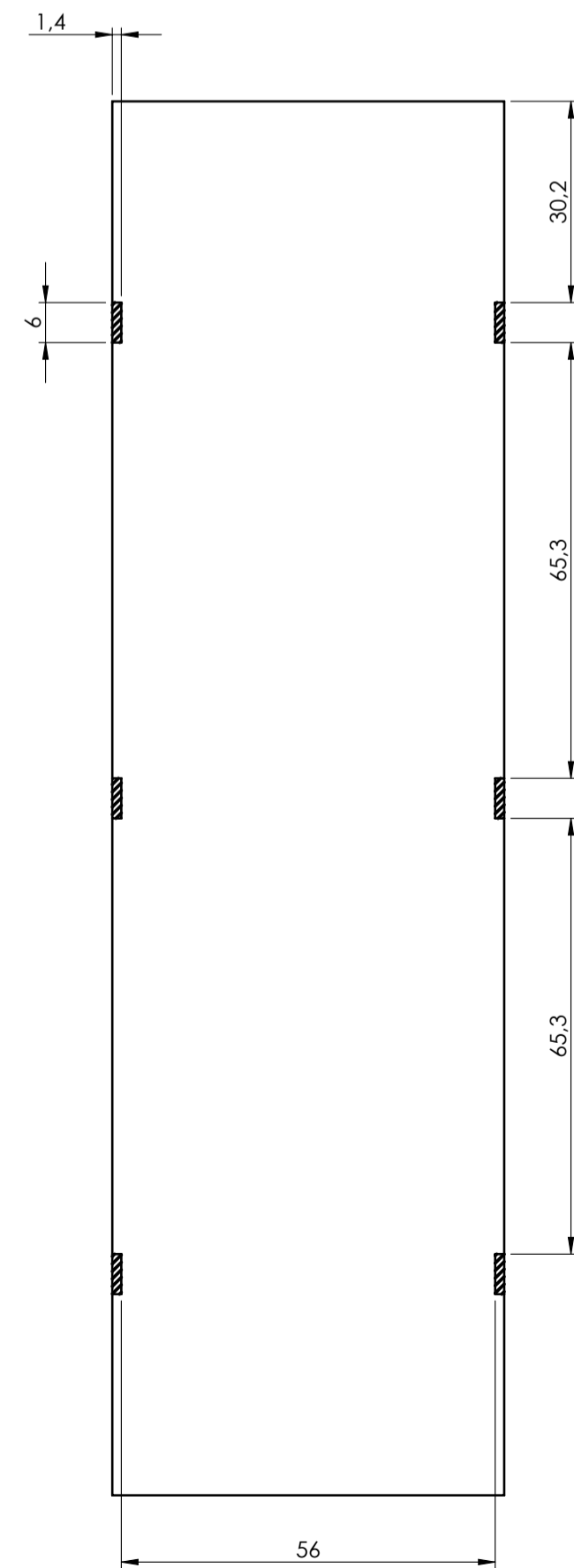
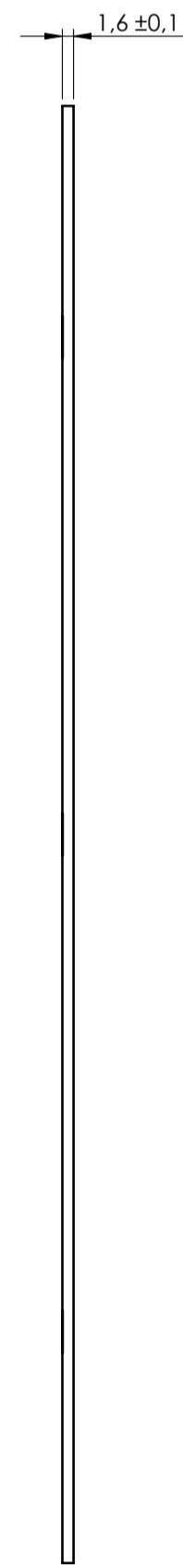
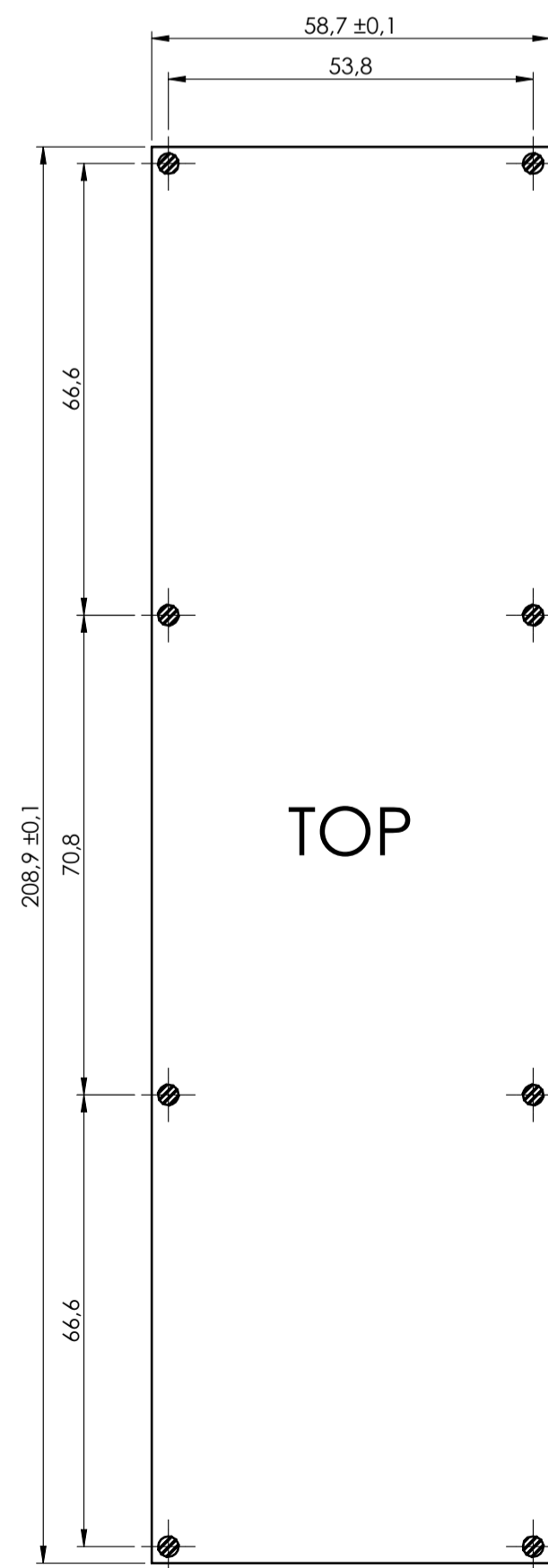


DETAIL B  
 SCALE 2 : 1

PCB C



PCB B



General Tolerance IIR EN 22768 / I Media (m)				Sheet:	
from 0.5 to 3 ± 0.1	from 3 to 6 ± 0.1	from 6 to 30 ± 0.2	from 30 to 120 ± 0.3	from 120 to 400 ± 0.5	PCB
Scale: 1:1	Drawn: R.N.	Checked: R.N.	Date: 06/04/2022	Material: PC/ABS	Process: INJECTION
Description: BASE MODULBOX XT-XTS 12M BASE MODULBOX XT-XTS 12M				Weight: 52.55 gr	Cod. Mold: ST.0512500
italtronic.com enclosures for electronics Drawing ref: <b>2_250_03627</b>					Rev: - A1

NO COMPONENTS AREA