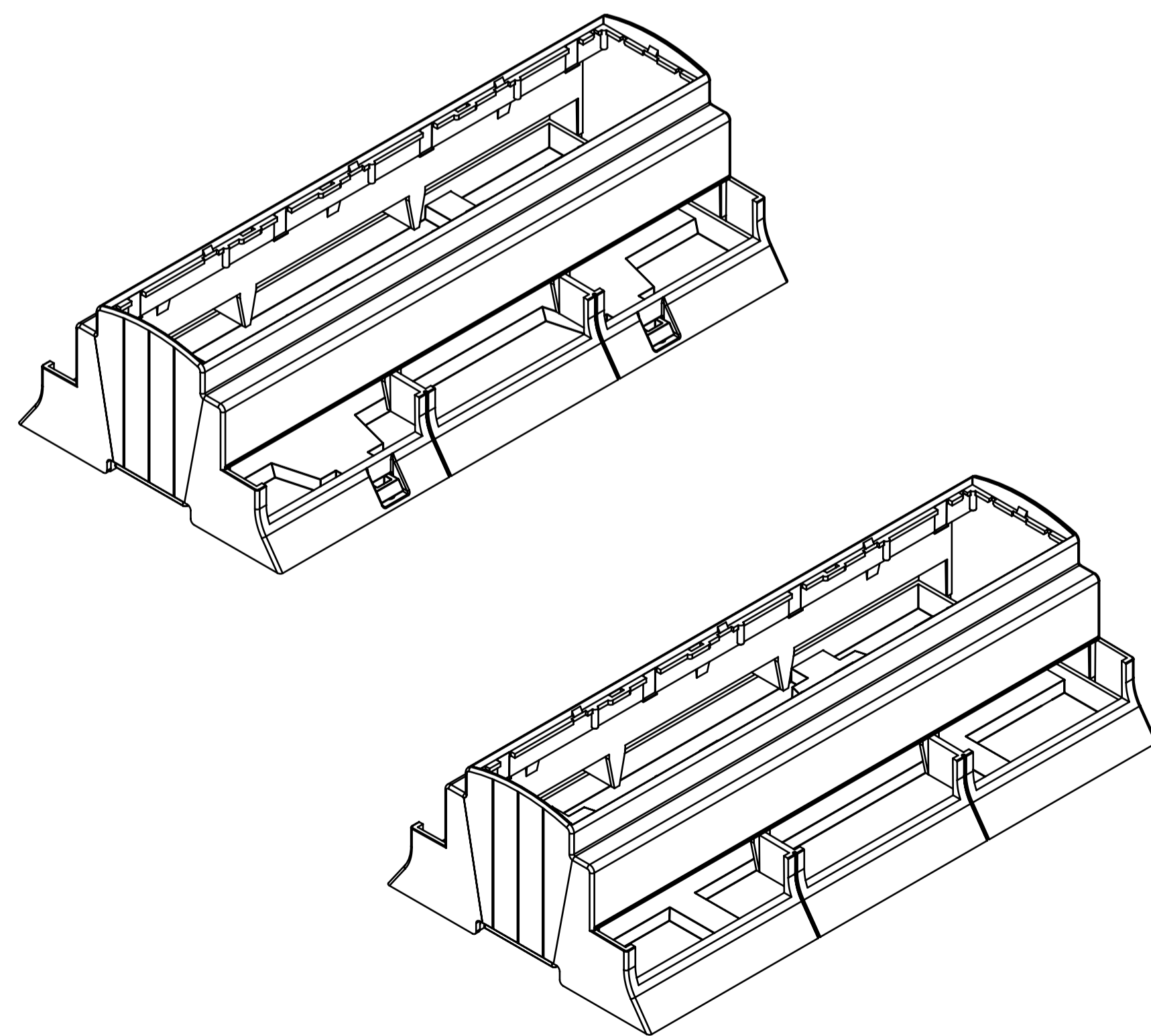
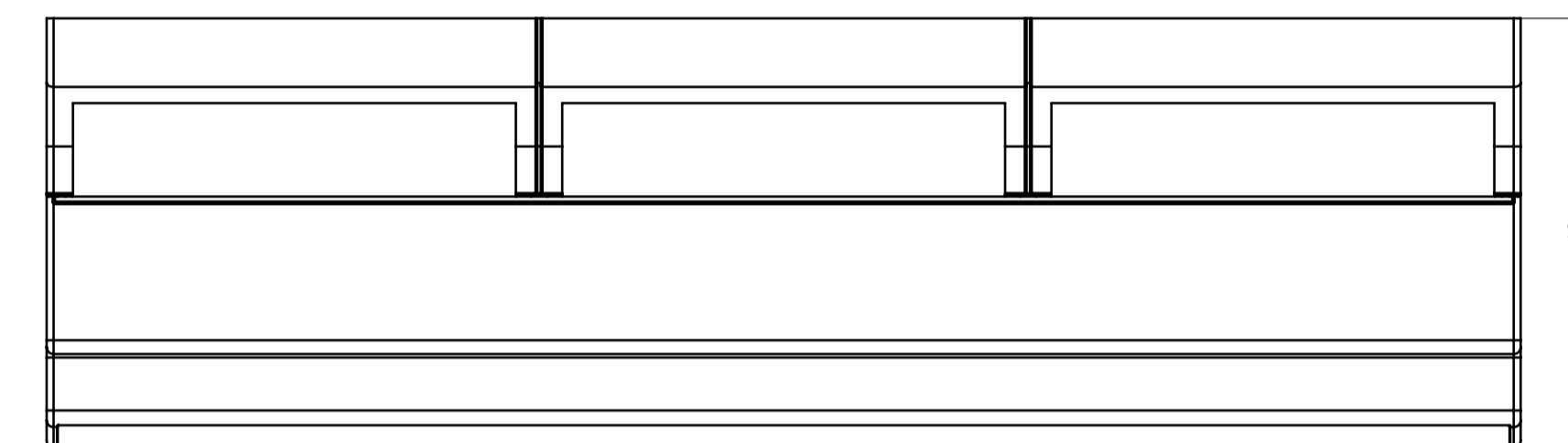
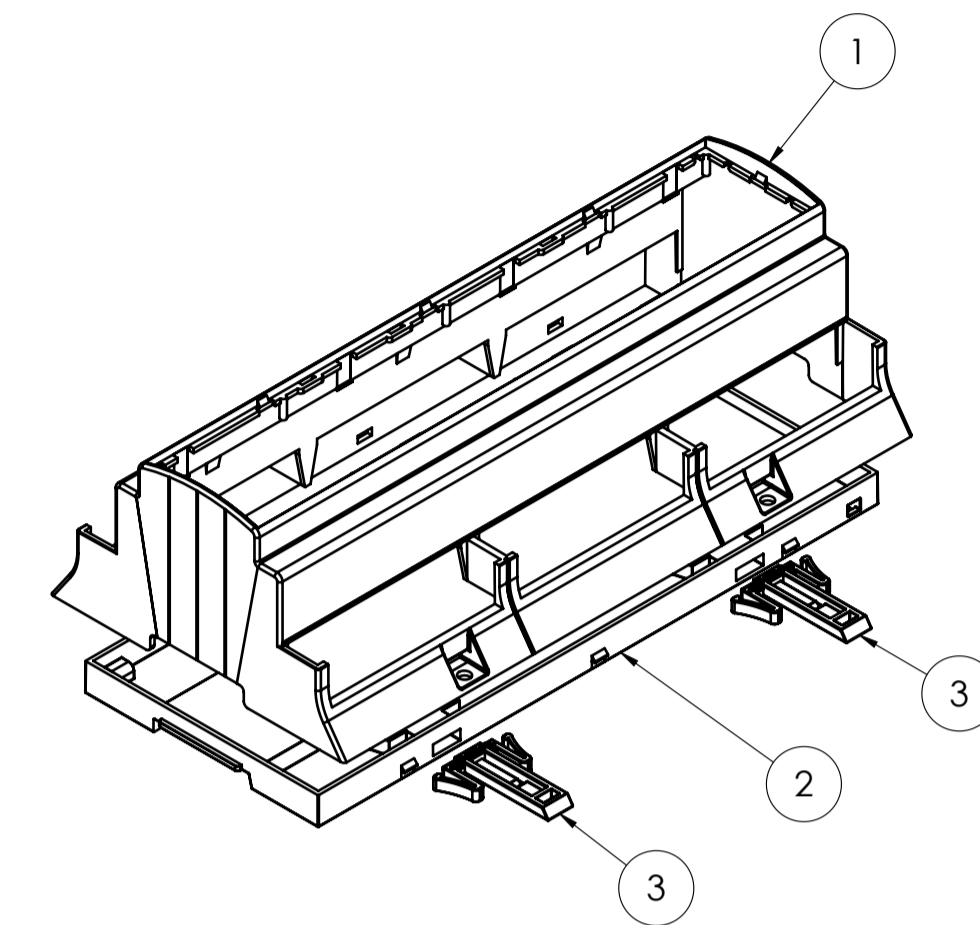
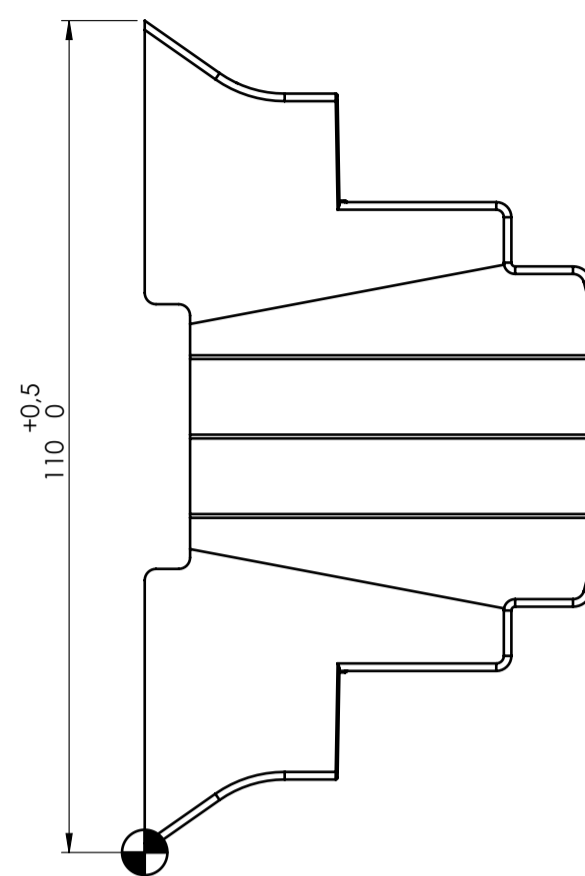
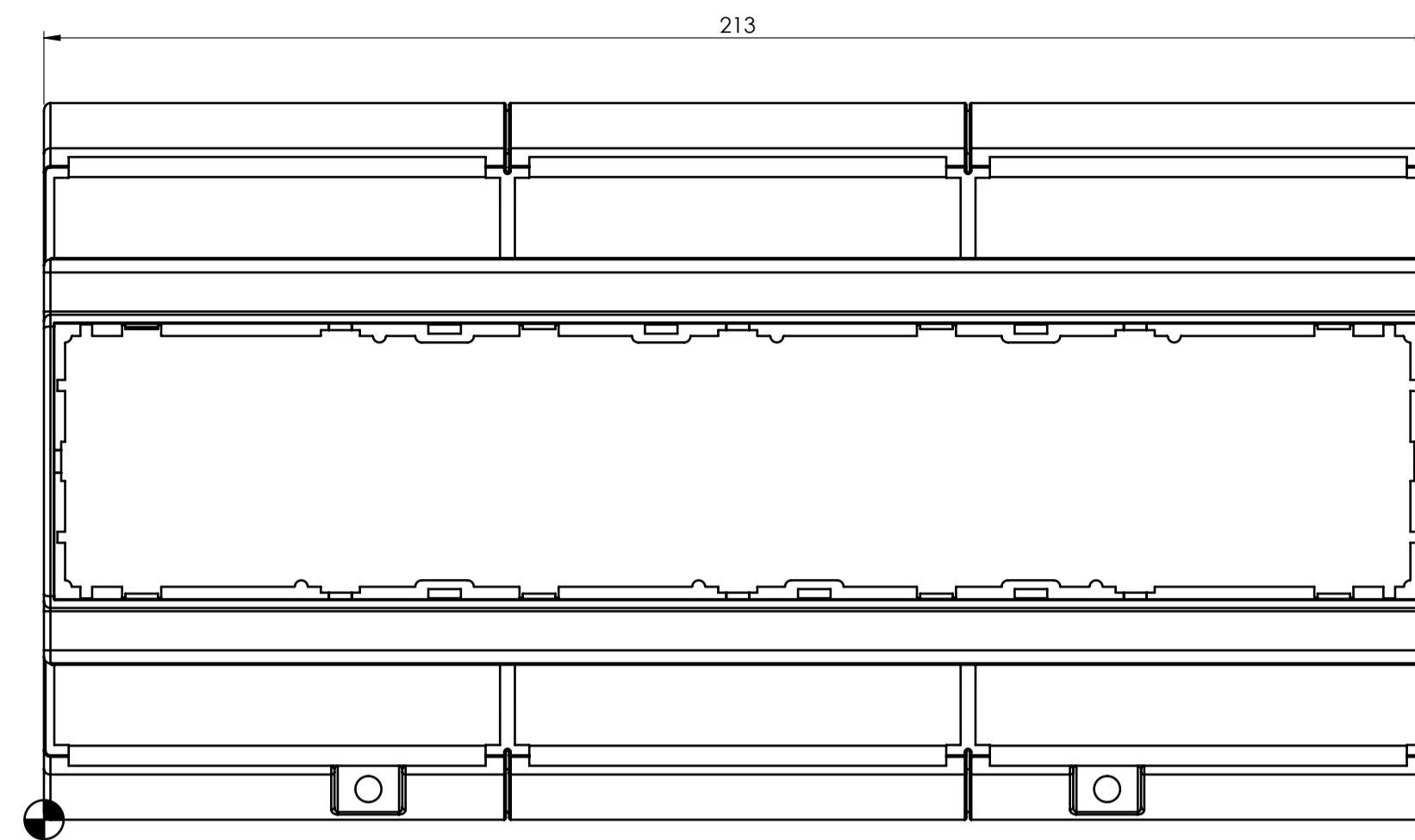
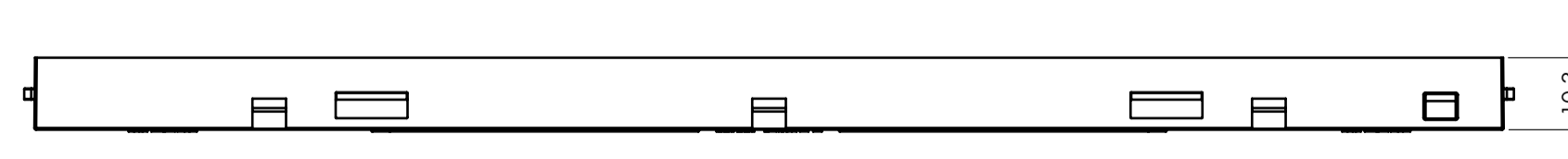
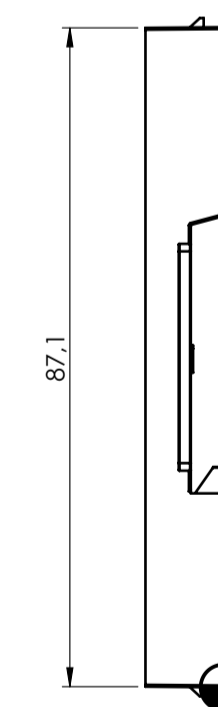
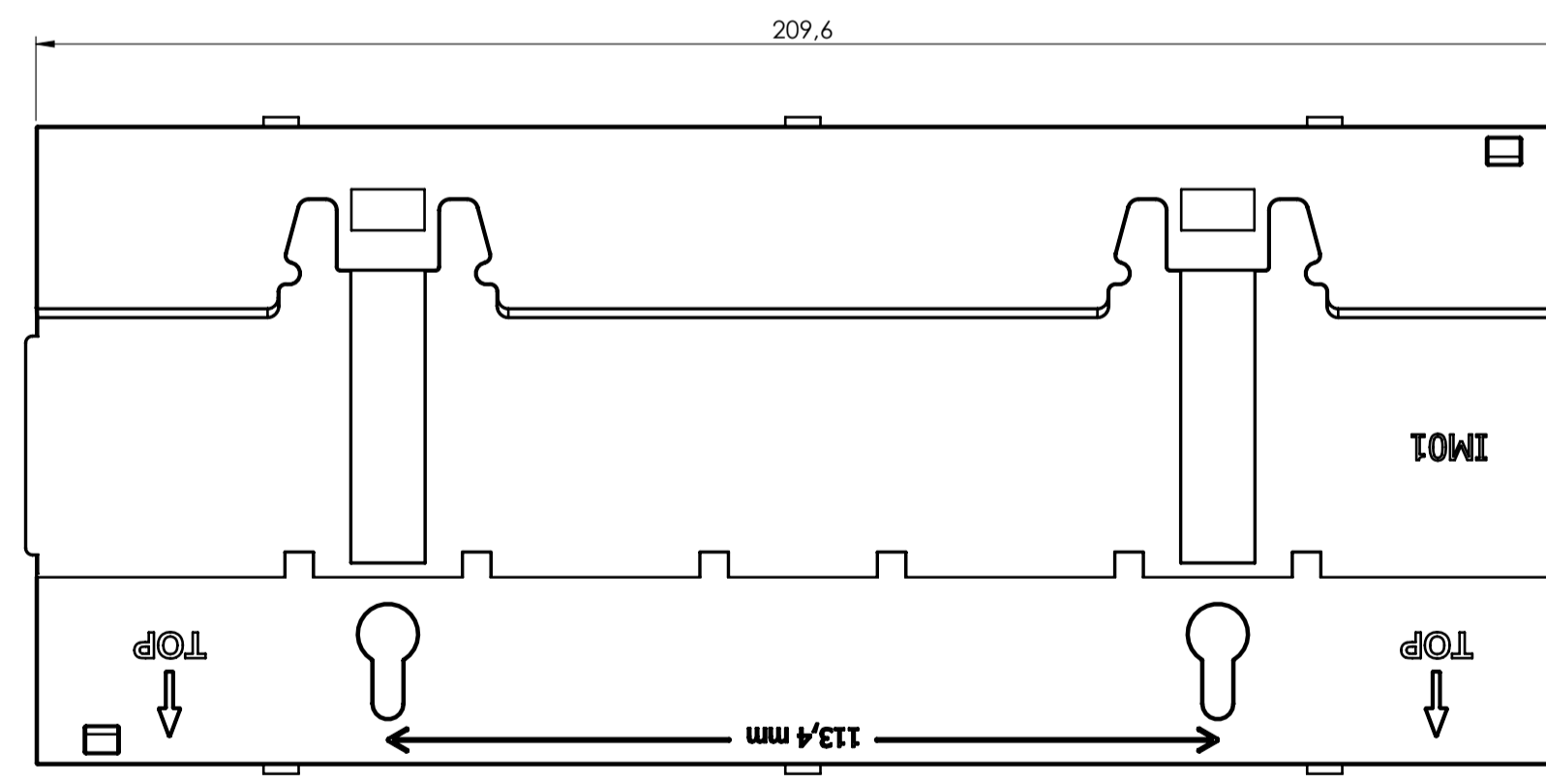


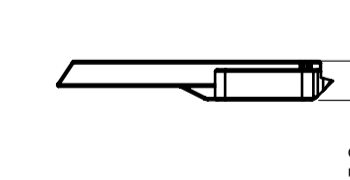
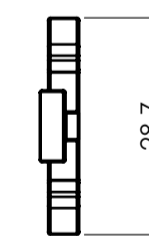
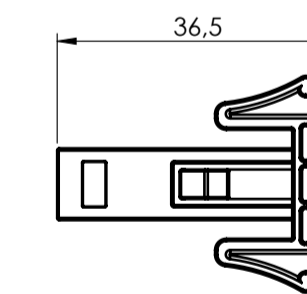
BODY ENCLOSURE



BASE



HOOK



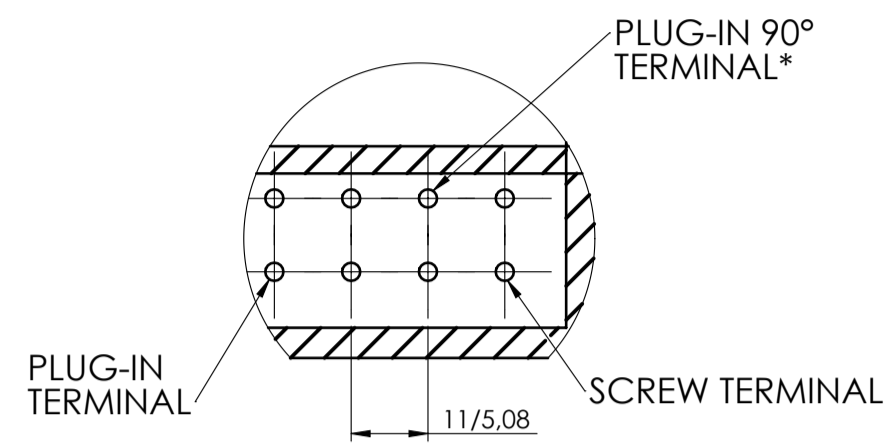
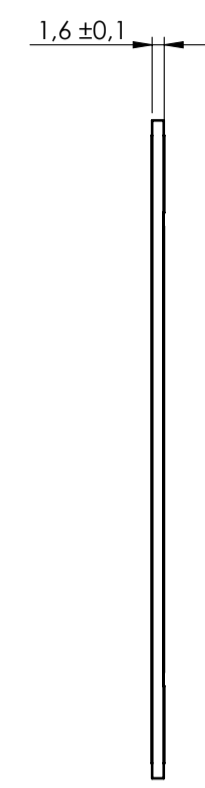
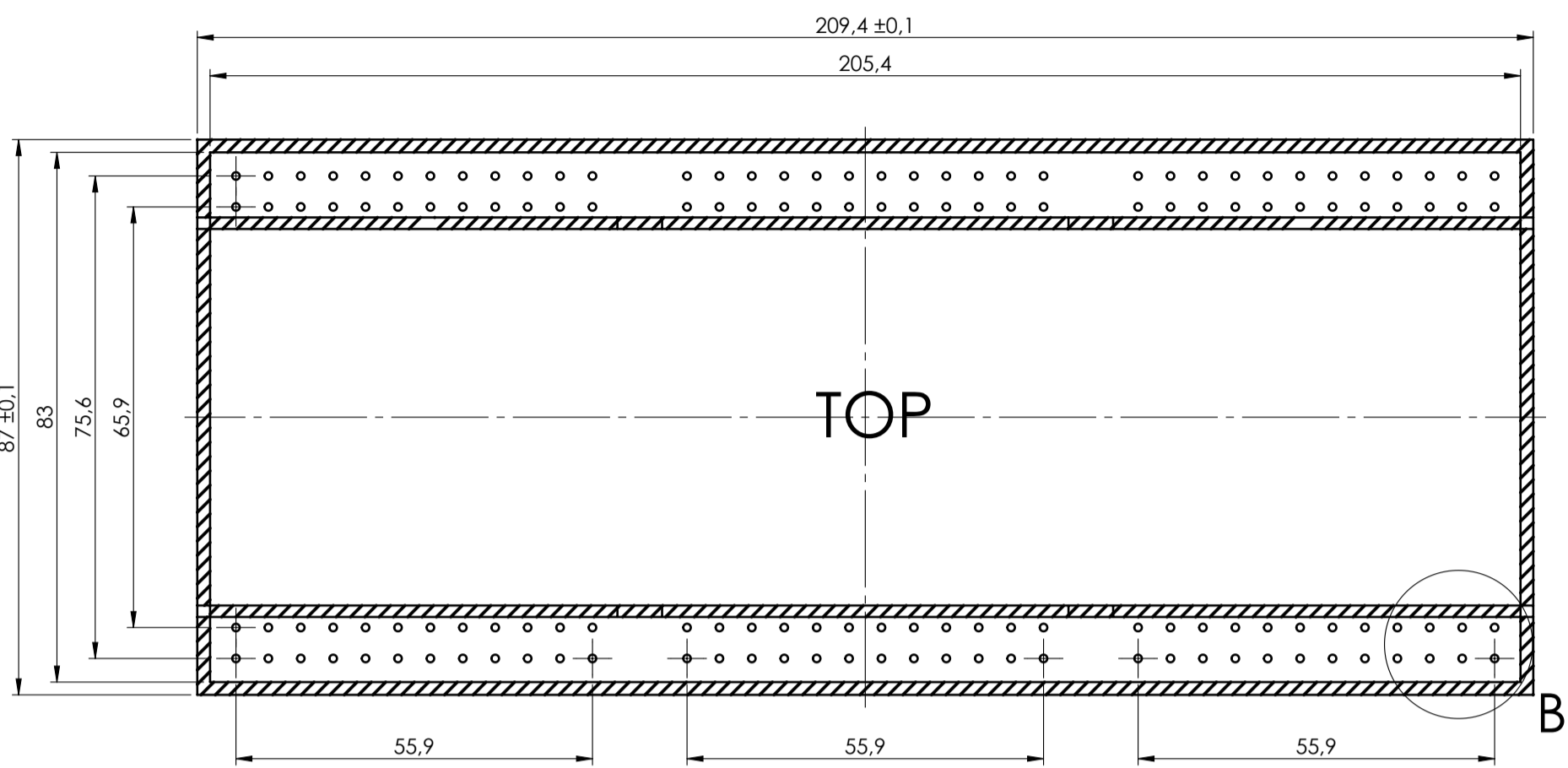
General information:
 - Workpiece zero point for mechanical processing
 - Minimum recommended radius for machining = R1.0 mm
 - Mounting rail like EN 60715: TH 35-15
 - Recommended PCB outline on www.italtronic.com

RIF.	Q.TY	DRAWING	DESCRIPTION
1	1	2_250_03898	BODY ENCLOSURE MODULBOX XT 12MH53-A
2	1	2_250_03627	BASE MODULBOX XT-XTS 12M
3	2	2_250_00072	HOOK FOR MODULBOX XT-XTS

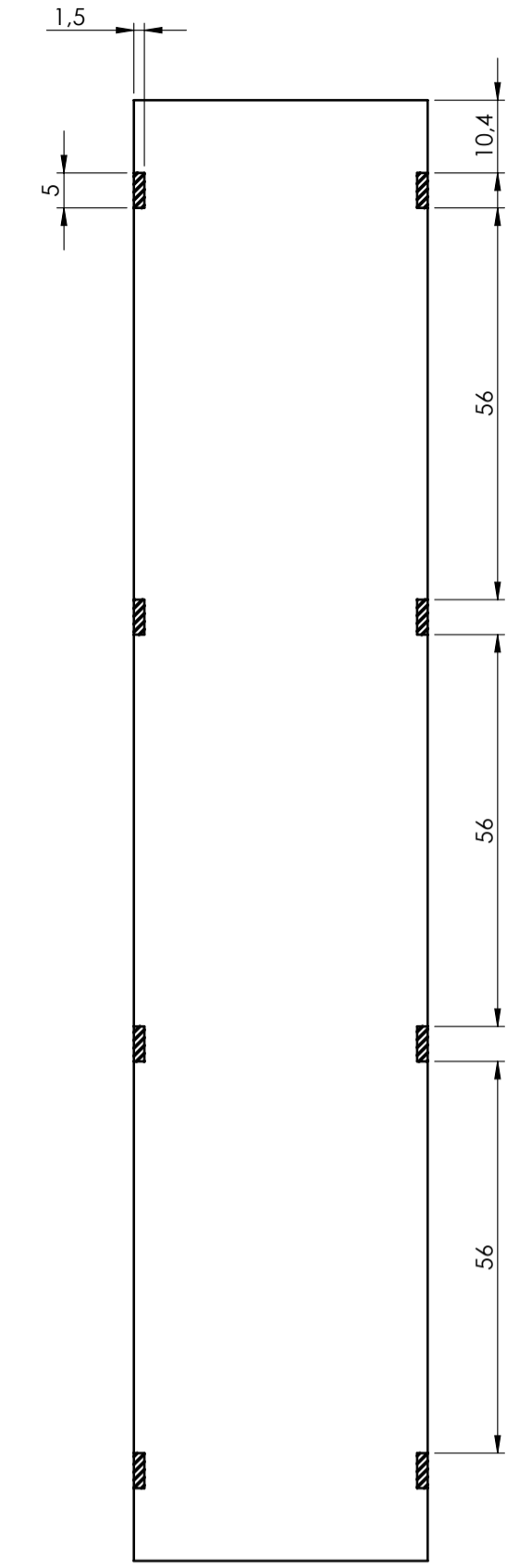
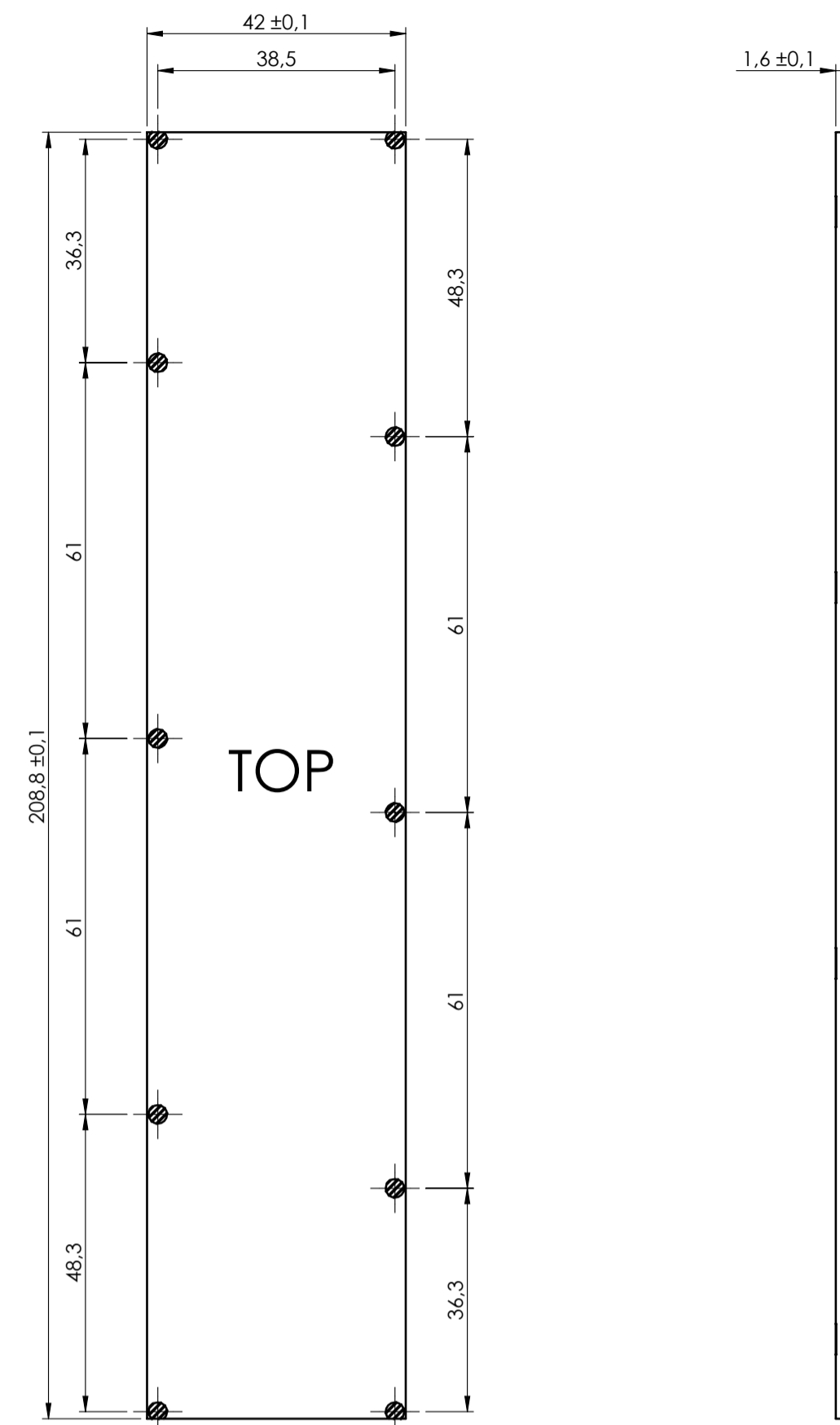
Dimension in mm	from 0.5 to 3	from 3 to 6	from 6 to 30	from 30 to 120	from 120 to 400	Sheet
General Tolerances IRIE EN 22768/1 Media III	±0.1	±0.1	±0.2	±0.3	±0.5	1
Scale:	1:1	R.N.	R.N.	06/04/2022	PC/ABS	INJECTION
Drawn by:					Weight:	Cod. Mold:
Derived from:					52.55 gr	ST.0512500
Description:						Rev.:
BASE MODULBOX XT-XTS 12M						-
BASE MODULBOX XT-XTS 12M						A1
Drawing ref. 2_250_03627						
italtronic.com						

Max height of the terminal:
 Modulbox XT/XTS: 18.5 mm
 Modulbox ONE: 20 mm

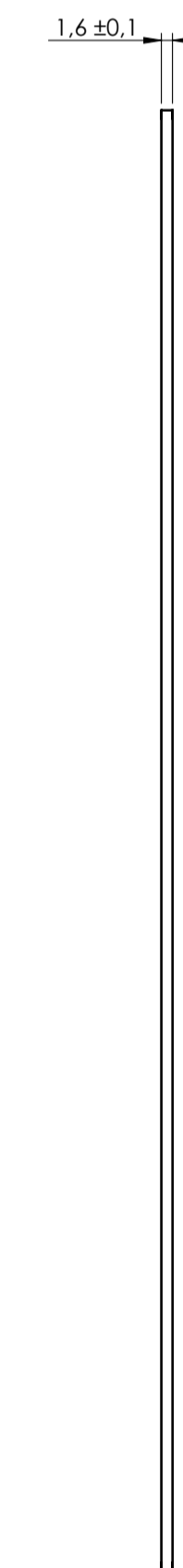
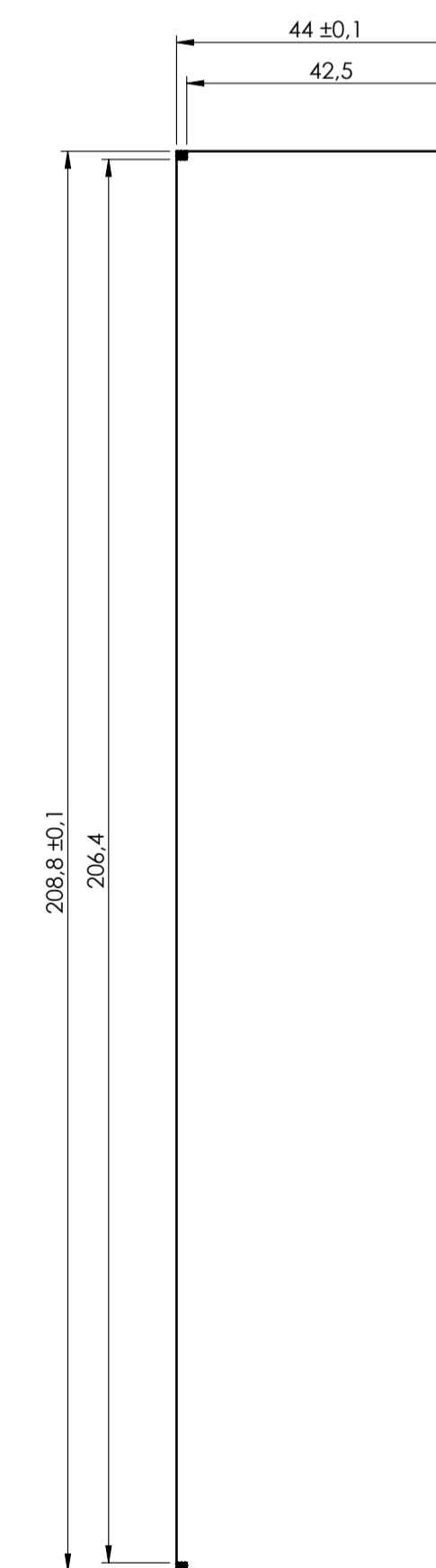
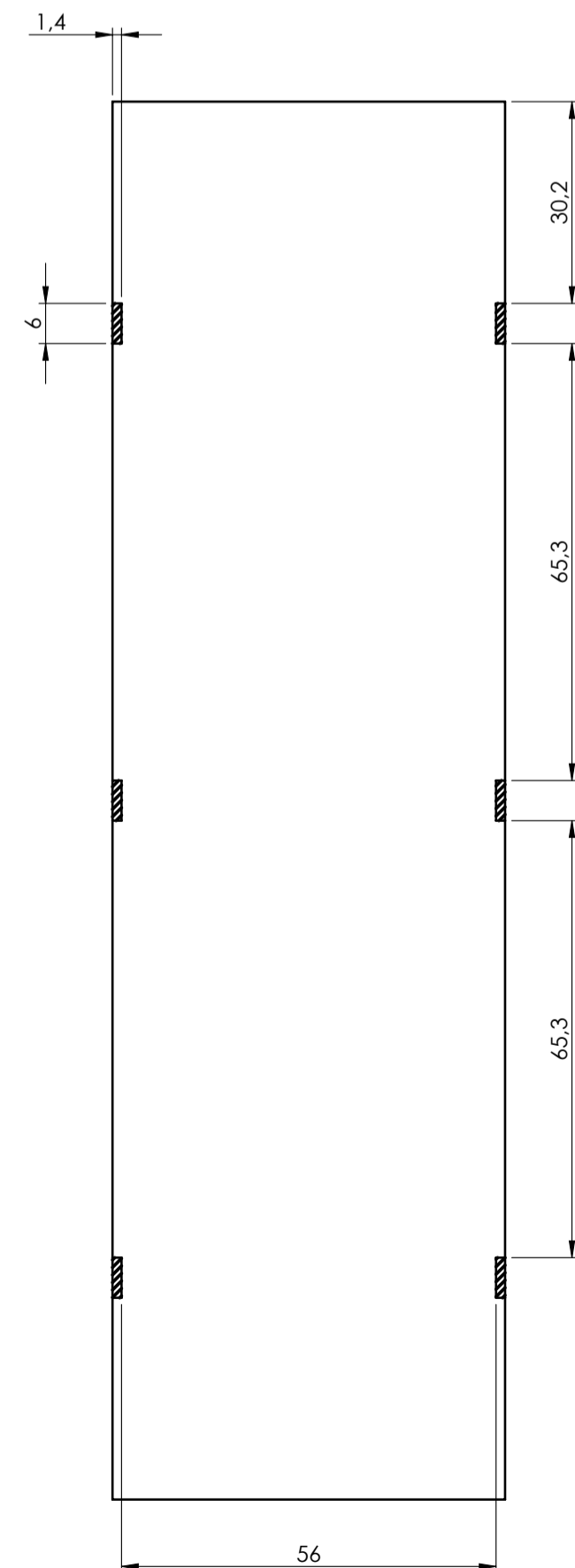
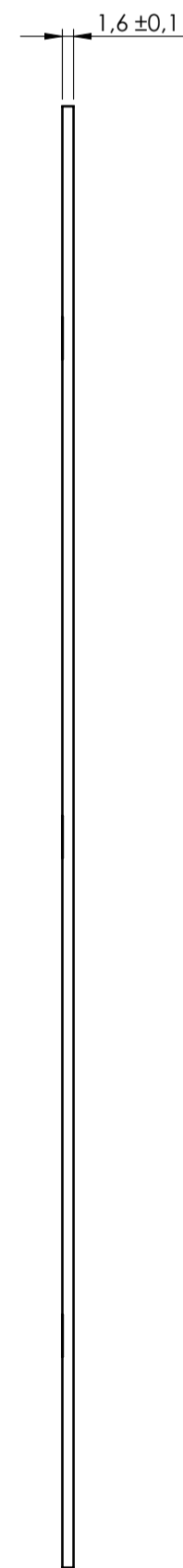
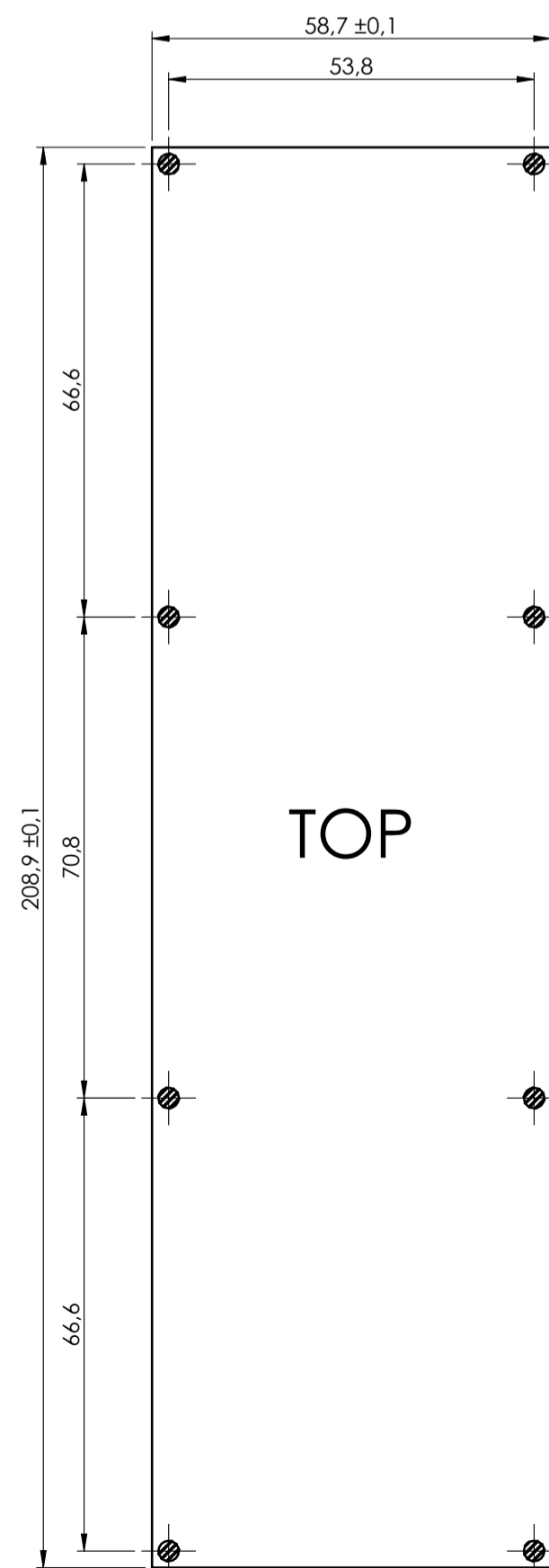
PCB A



PCB C



PCB B



General Tolerance IIR EN 22768/1 Media (m)				Sheet:	
from 0.5 to 3 ± 0.1	from 3 to 6 ± 0.1	from 6 to 30 ± 0.2	from 30 to 120 ± 0.3	from 120 to 400 ± 0.5	PCB
Scale:	Drawn:	Checked:	Date:	Material:	Process:
1:1	R.N.	R.N.	06/04/2022	PC/ABS	INJECTION
Description:				Weight:	Cod. Mold:
BASE MODULBOX XT-XTS 12M BASE MODULBOX XT-XTS 12M				52.55 gr	ST.0512500
Drawing ref:				Rev.:	A1
2_250_03627				-	

NO COMPONENTS AREA

