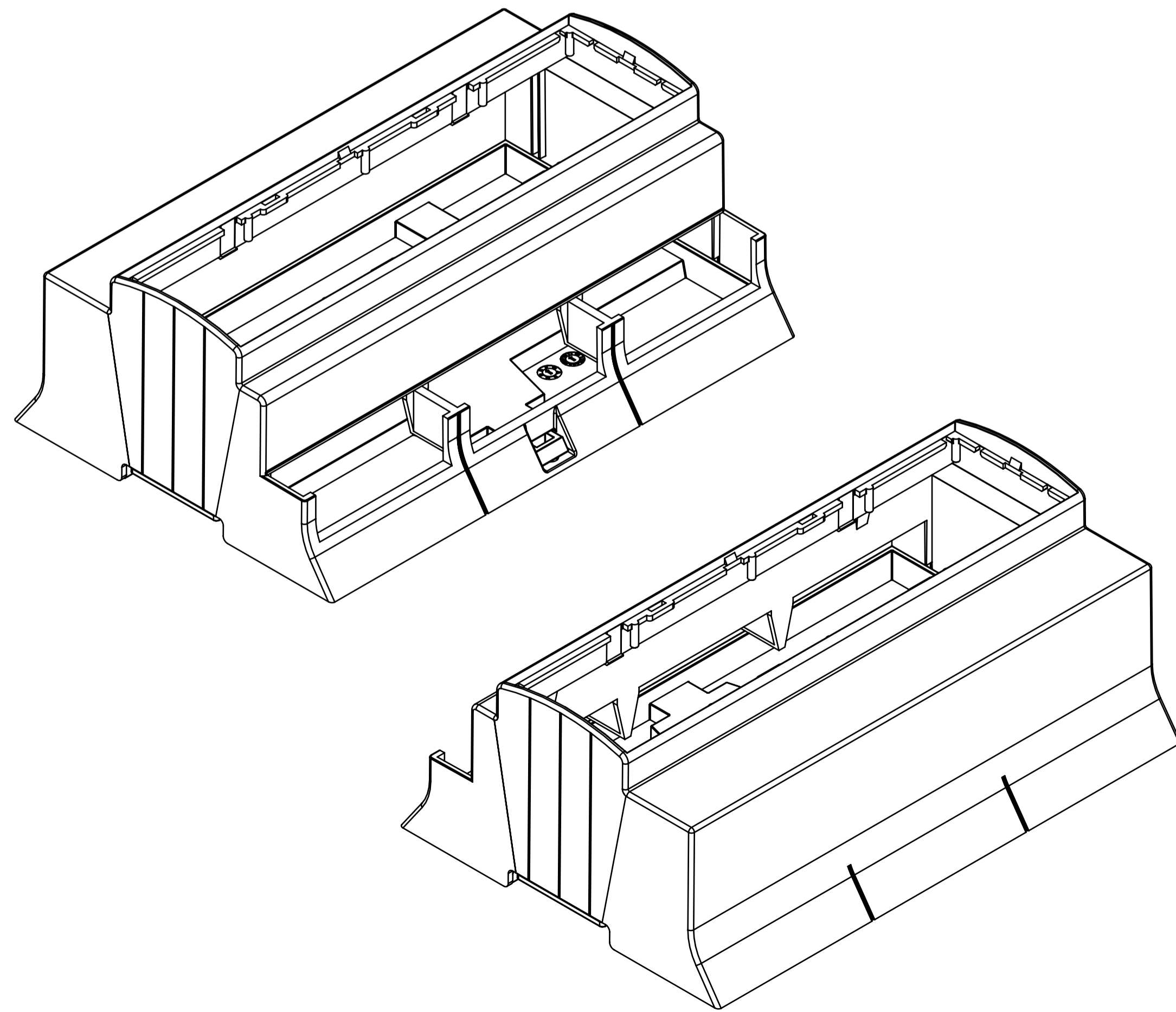
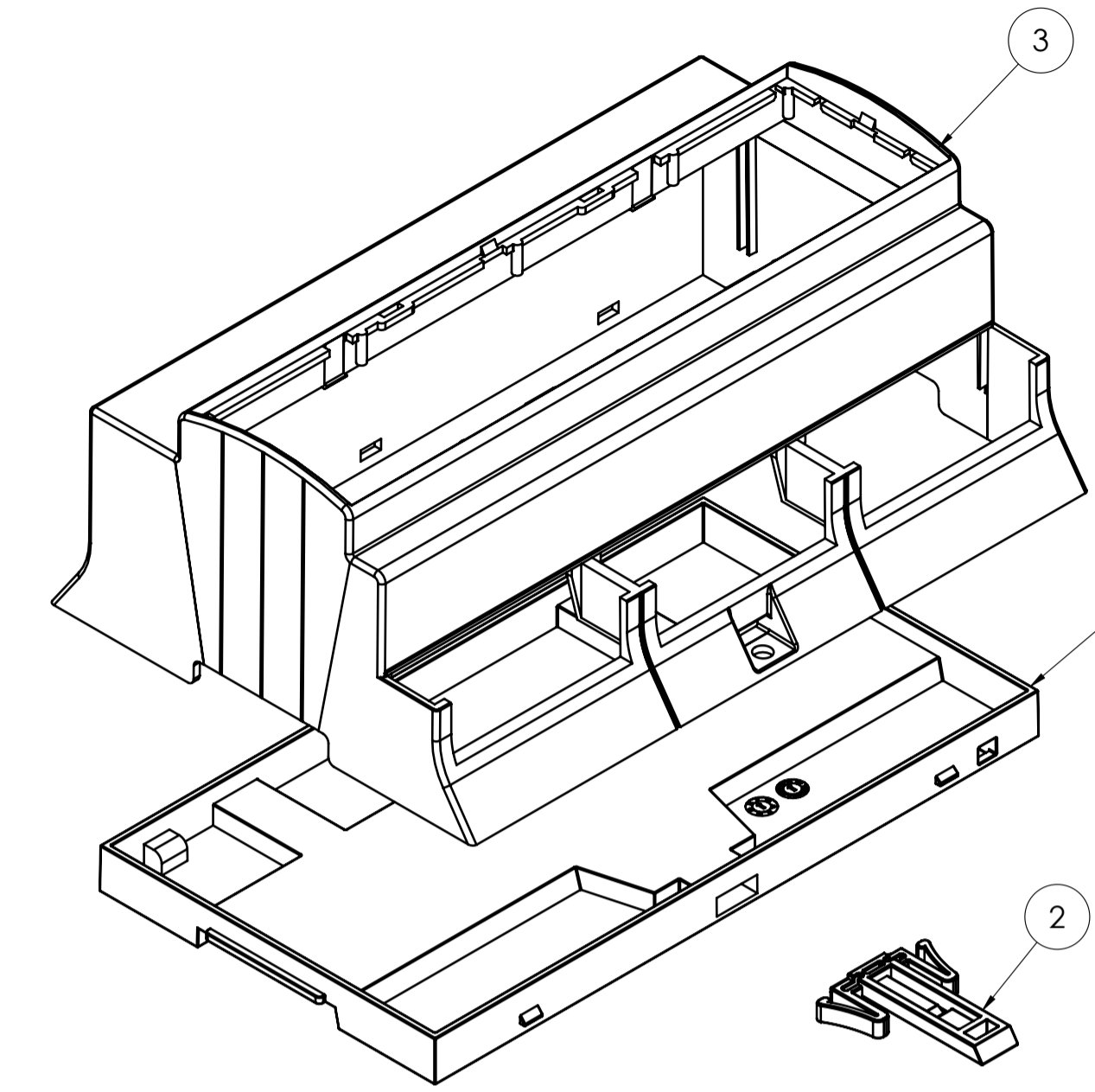
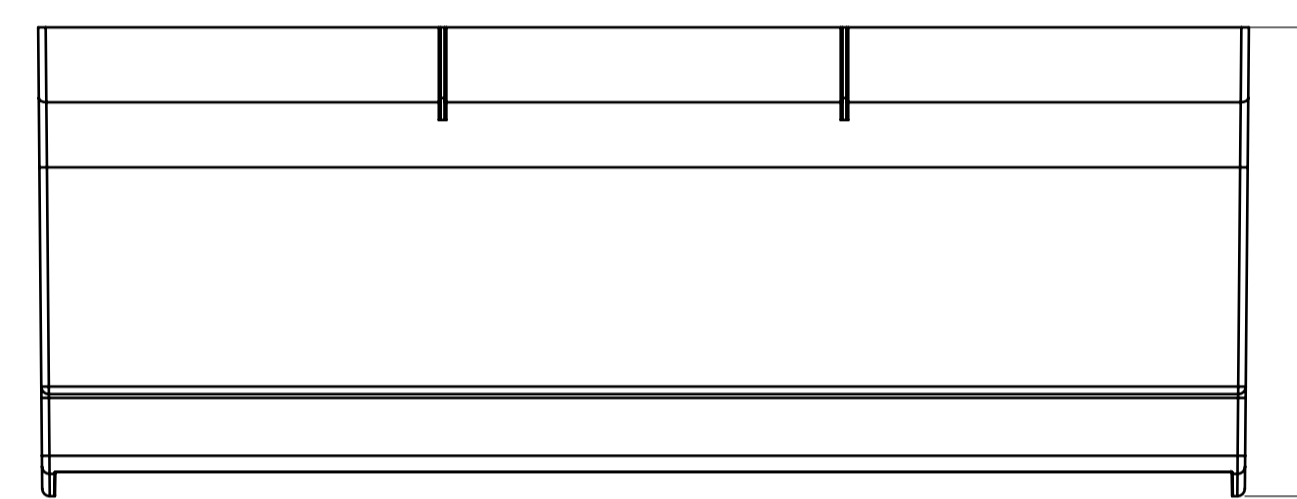
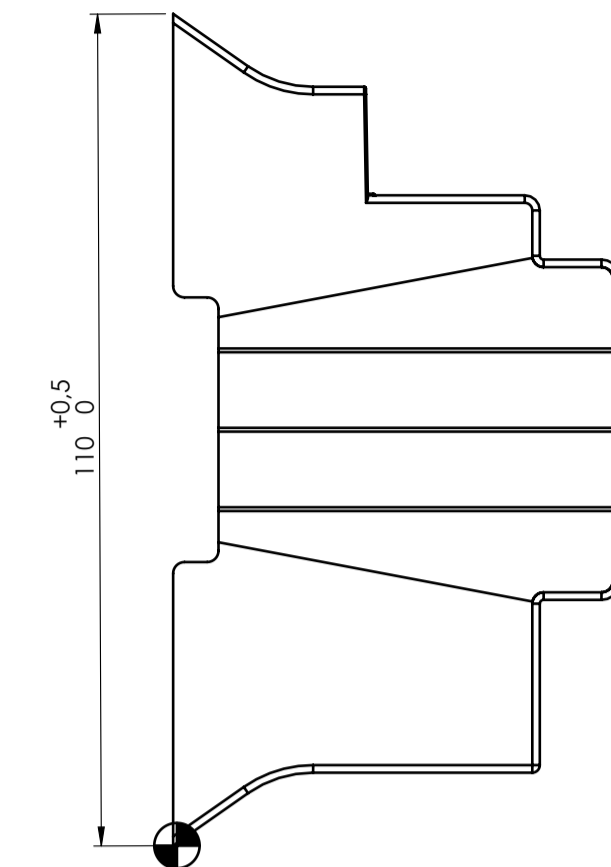
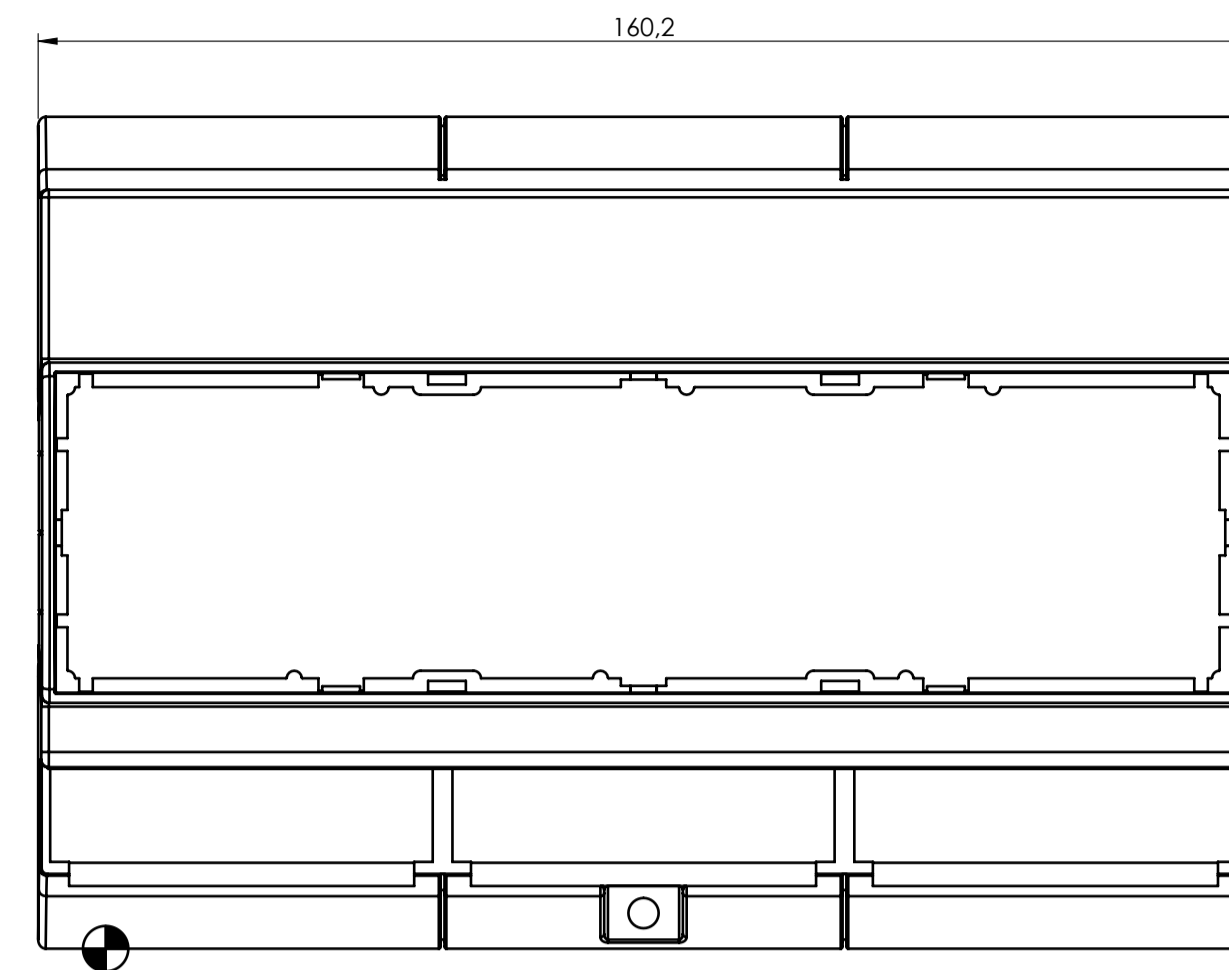
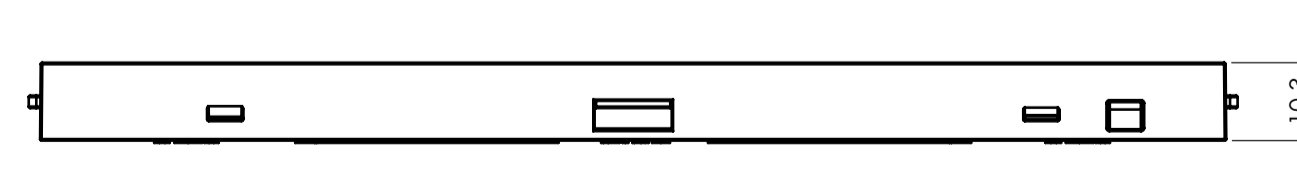
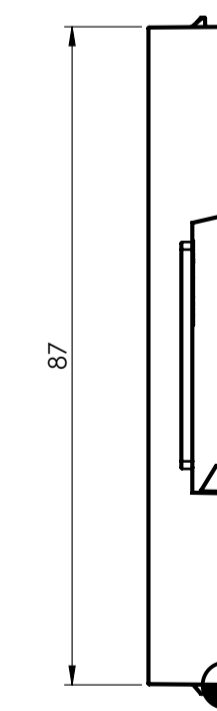
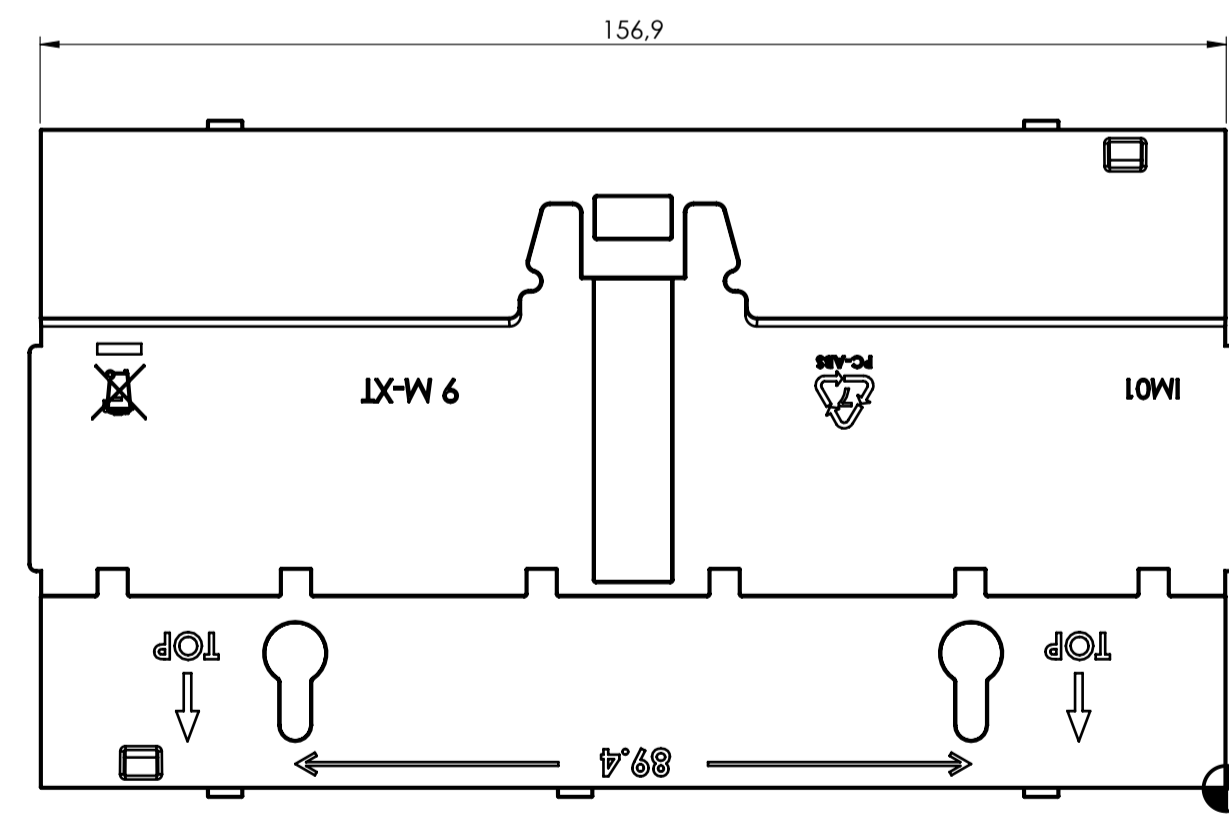


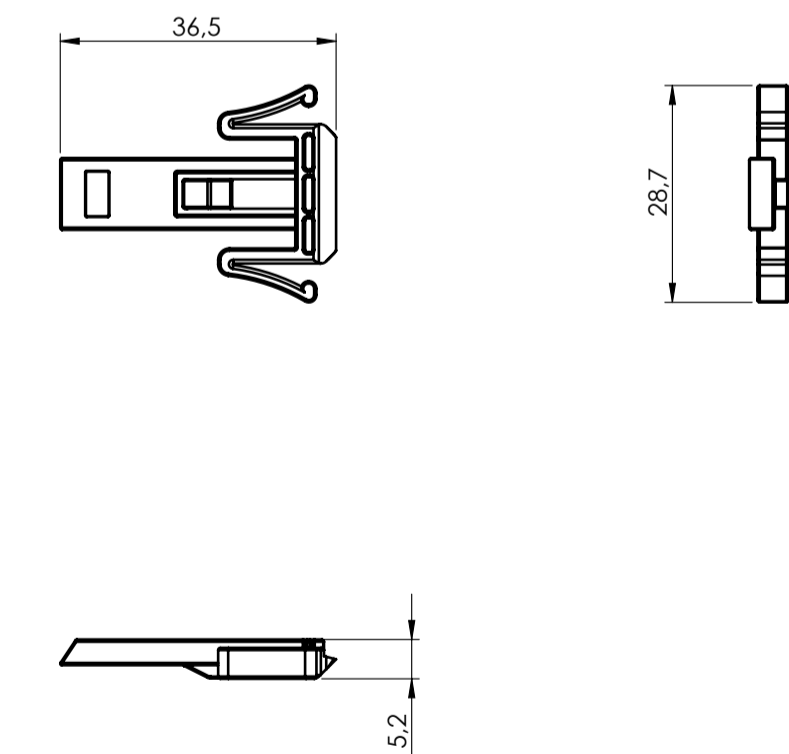
BODY ENCLOSURE



BASE



HOOK



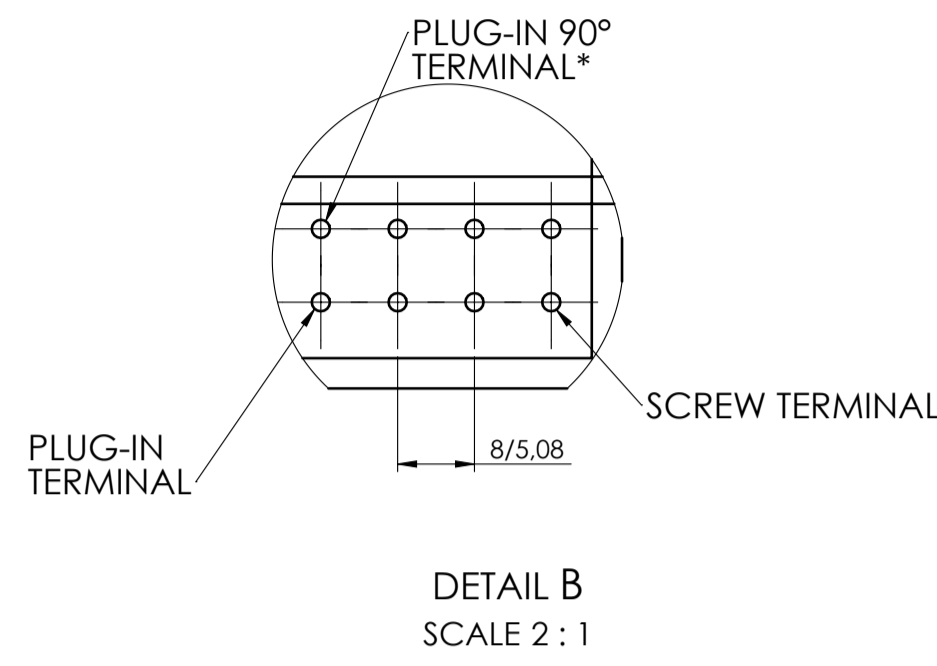
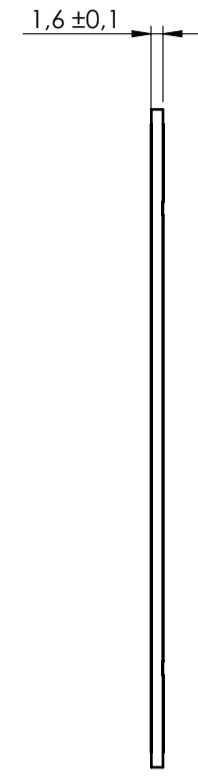
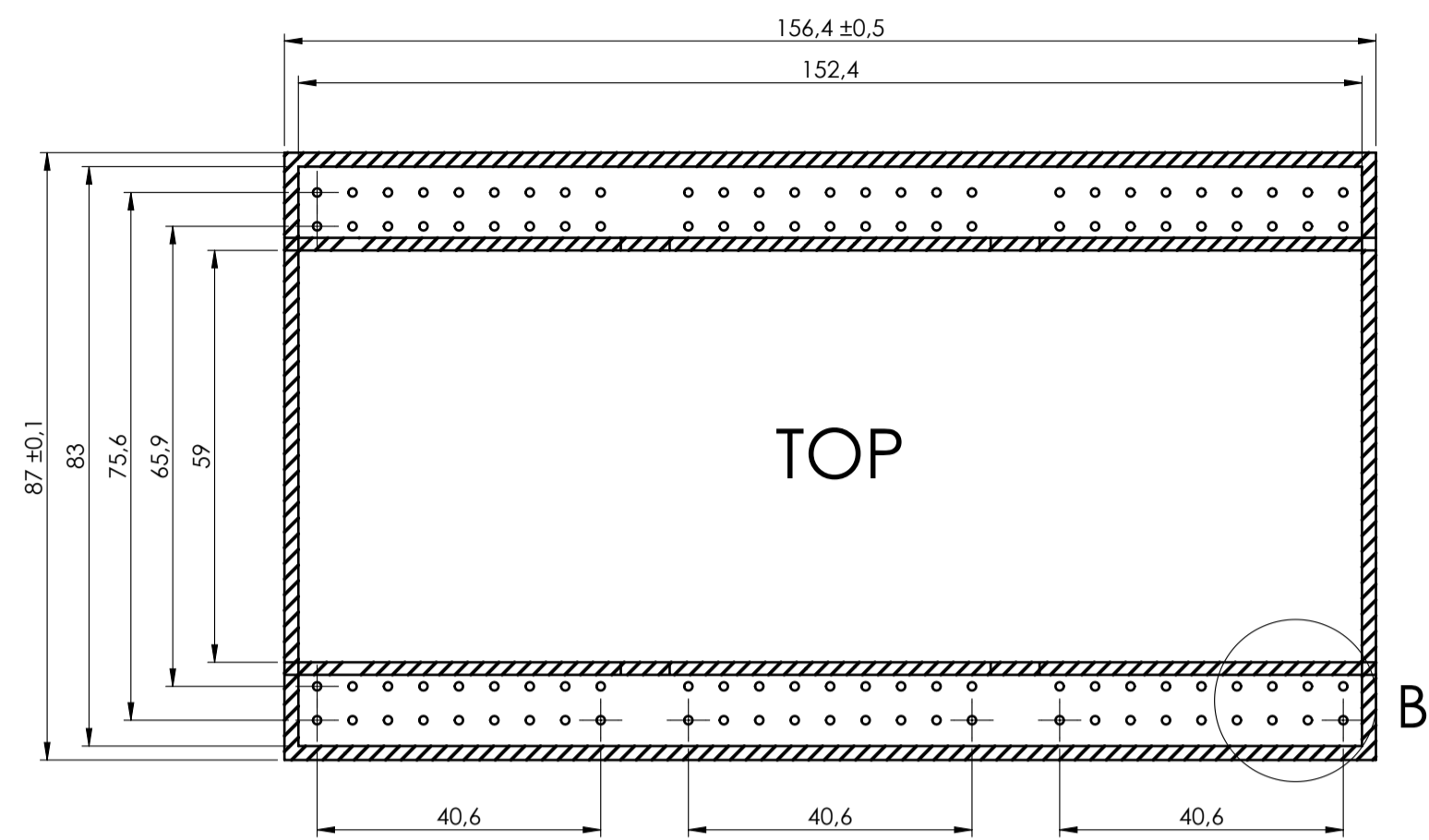
General information:
 - Workpiece zero point for mechanical processing
 - Minimum recommended radius for machining = R1.0 mm
 - Mounting rail like EN 60715; TH 35-15
 - Recommended PCB outline on www.italtronic.com

RIF.	Q.TY	DRAWING	DESCRIPTION
1	1	2_250_00072	HOOK FOR MODULBOX XT-XTS
2	1	2_250_00086	BASE 9M MODULBOX XT-XTS
3	1	2_250_03643	BODY ENCLOSURE MODULBOX XT 9MH53-B

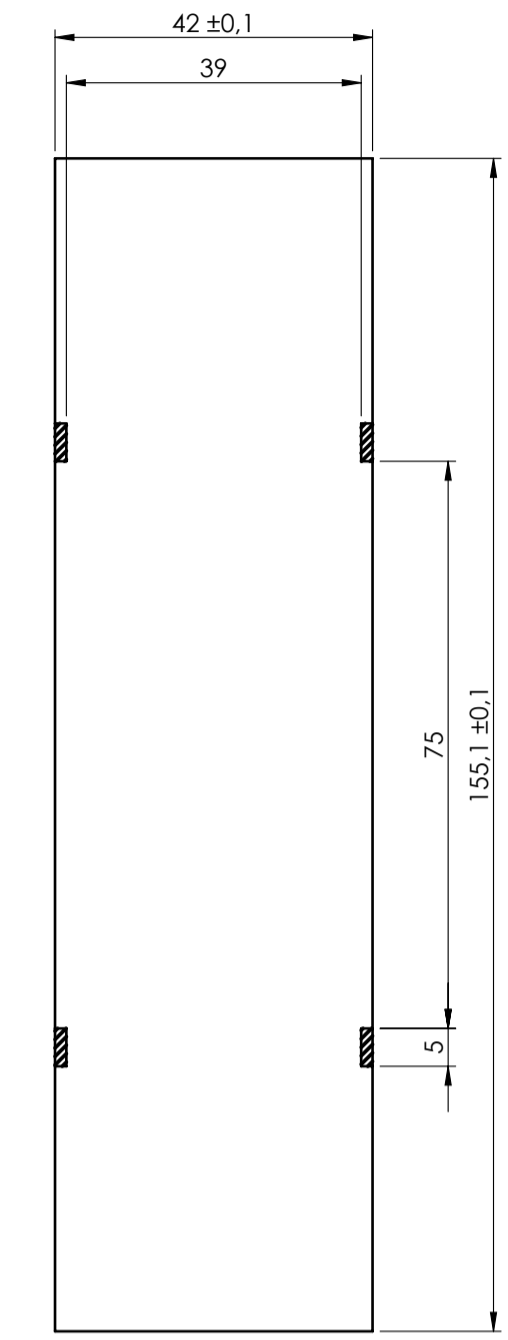
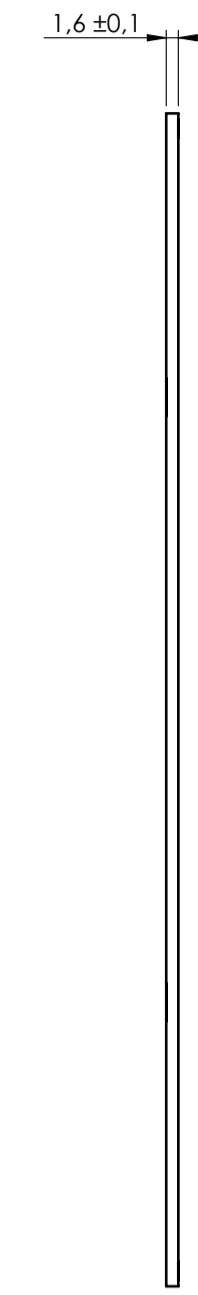
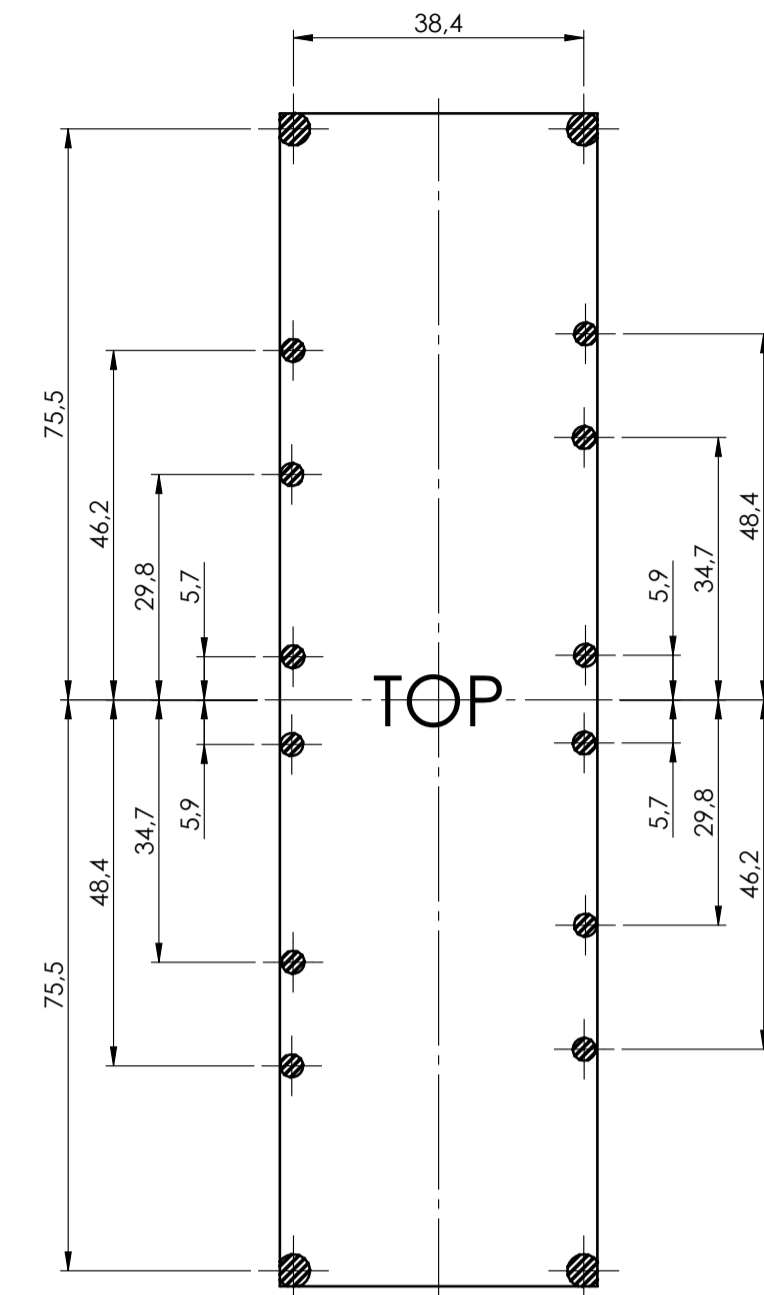
General Tolerances (UNE EN 22768/1) Media [mm]	Sheet:
from 0.5 to 3 ±0.1	1
from 3 to 6 ±0.1	
from 6 to 30 ±0.2	
from 30 to 120 ±0.3	
from 120 to 400 ±0.5	
Scale:	Process:
1:1	INJECTION
Drawn:	Material:
R.N.	PC/ABS
Checked:	Weight:
R.N.	40.06 gr
Date:	Cod. Mold:
04/02/2021	ST.0512500
Derived from:	Description:
	BASE 9M MODULBOX XT-XTS
	BASE 9M MODULBOX XT-XTS
Dimension in mm	Drawing ref:
	2_250_00086
italtronic enclosures for electronics italtronic.com	Rev:
	01 A1

Max height of the terminal:
 Modulbox XT/XTS: 18.5 mm
 Modulbox ONE: 20 mm

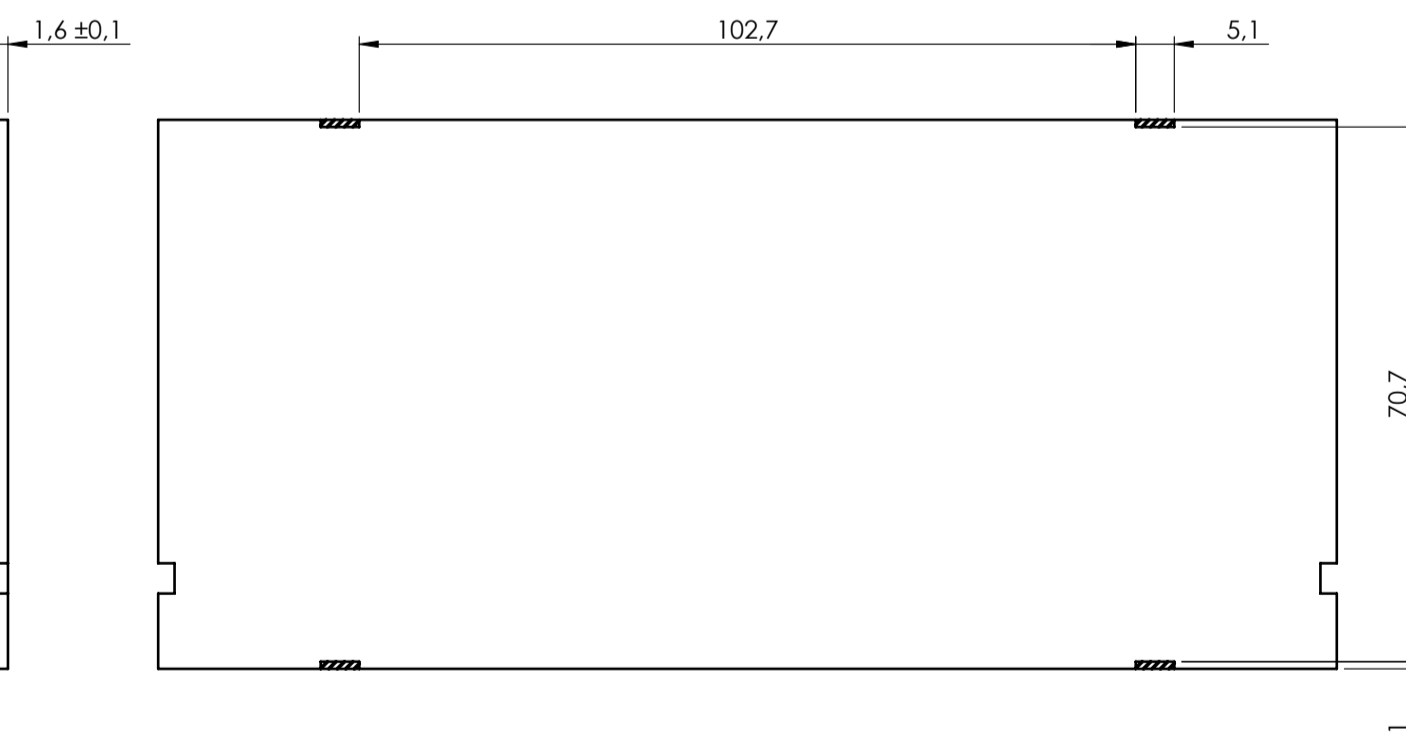
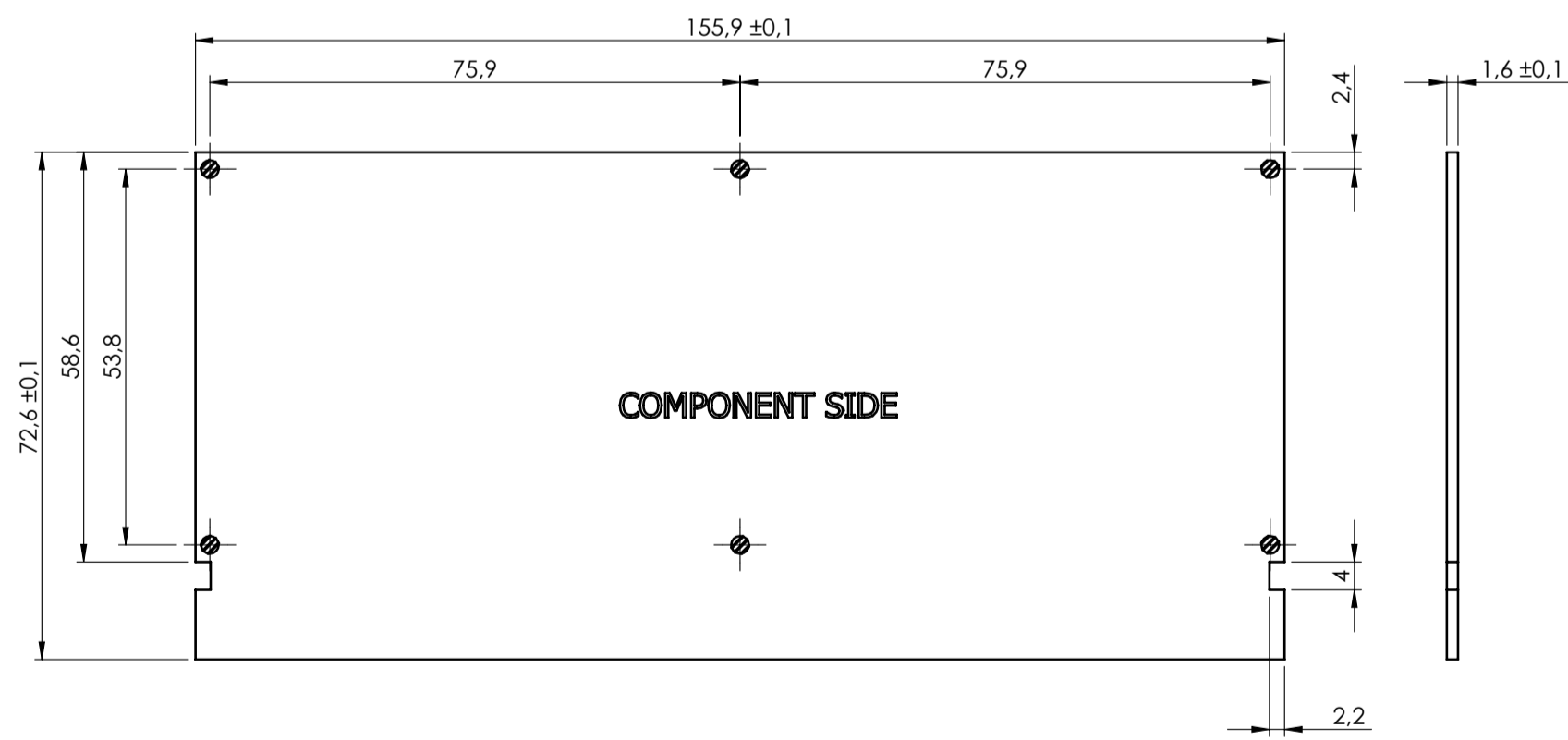
PCB A



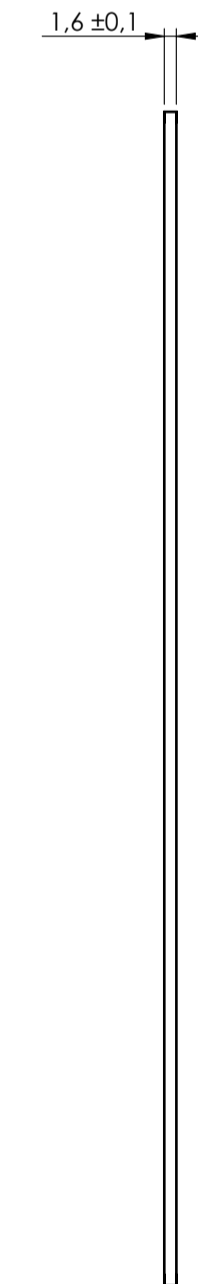
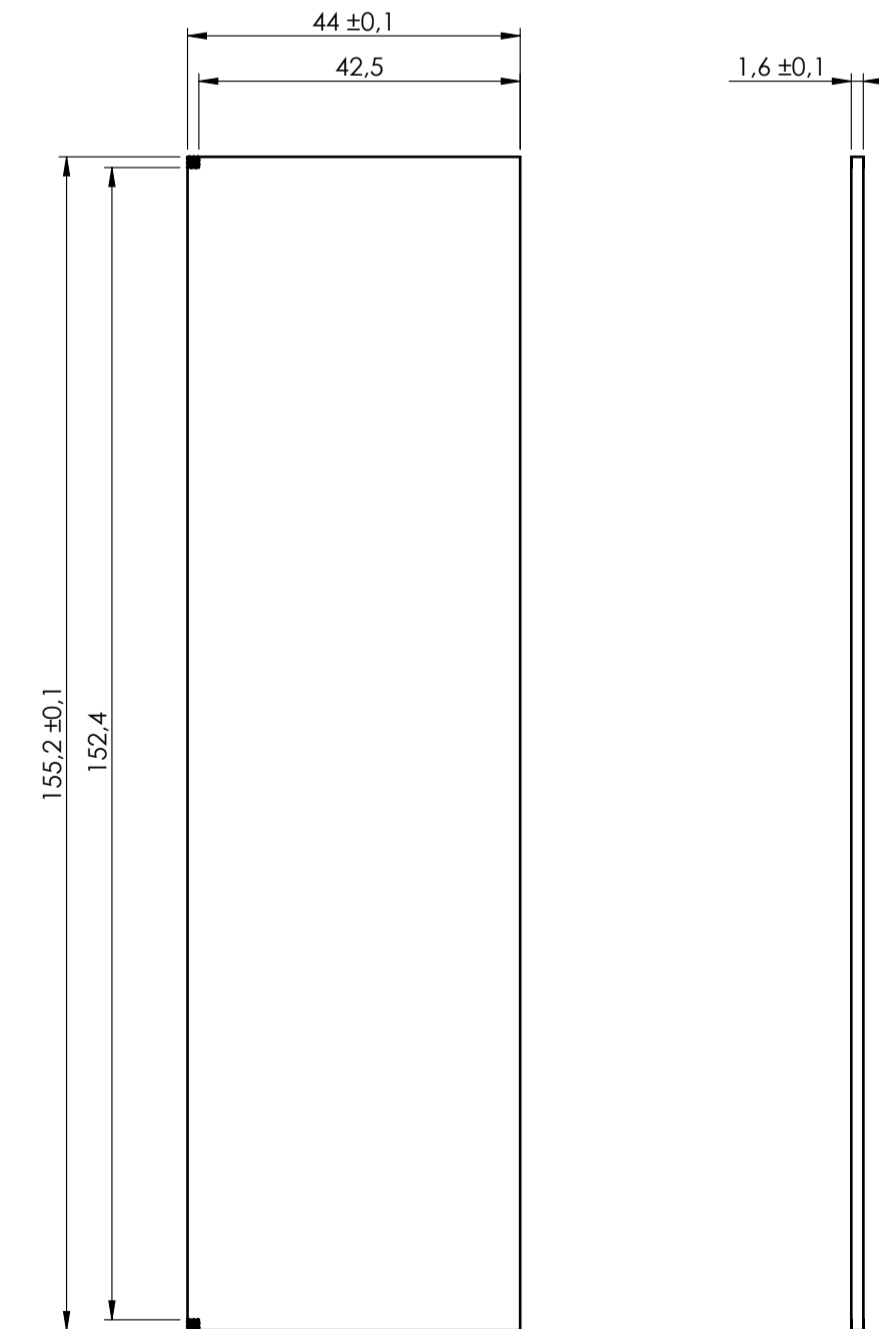
PCB C



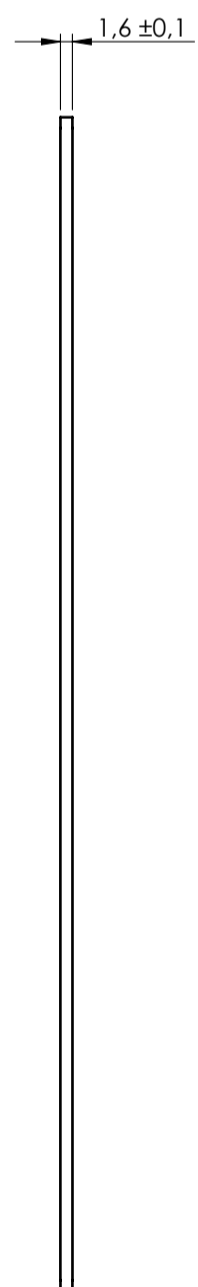
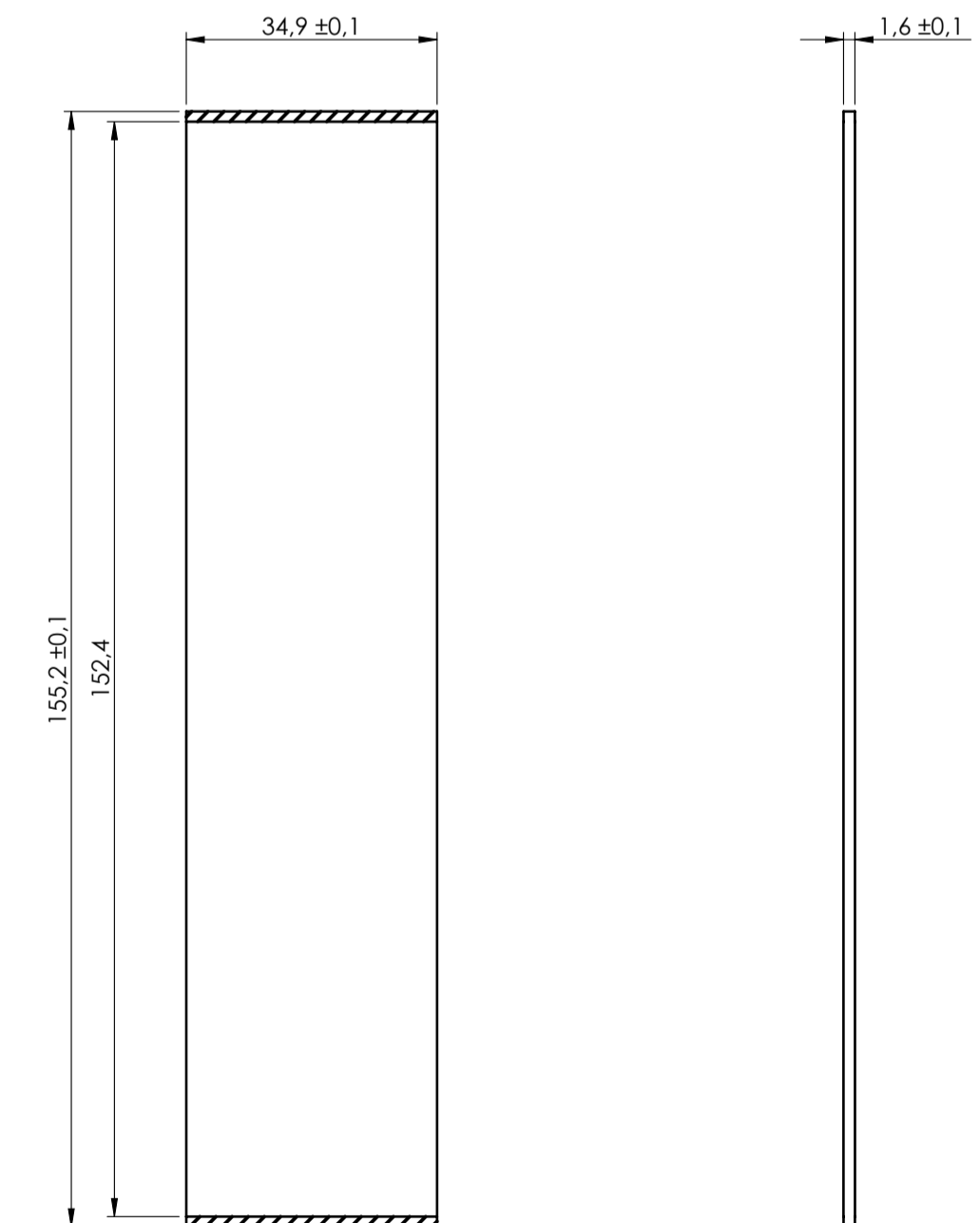
PCB B



PCB V1



PCB V2



General Tolerance IIR EN 22768/1 Media (m)				Sheet:	
from 0.5 to 3 ± 0.1	from 3 to 6 ± 0.1	from 6 to 30 ± 0.2	from 30 to 120 ± 0.3	from 120 to 400 ± 0.5	PCB
Scale: 1:1	Drawn: R.N.	Checked: R.N.	Date: 04/02/2021	Material: PC/ABS	Process: INJECTION
Description:				Weight: 40.06 gr	Cod. Mold: ST.0512500
Description: BASE 9M MODULBOX XT-XTS BASE 9M MODULBOX XT-XTS				Rev: 01 A1	
Drawing nr: 2.250_00086					

NO COMPONENTS AREA

