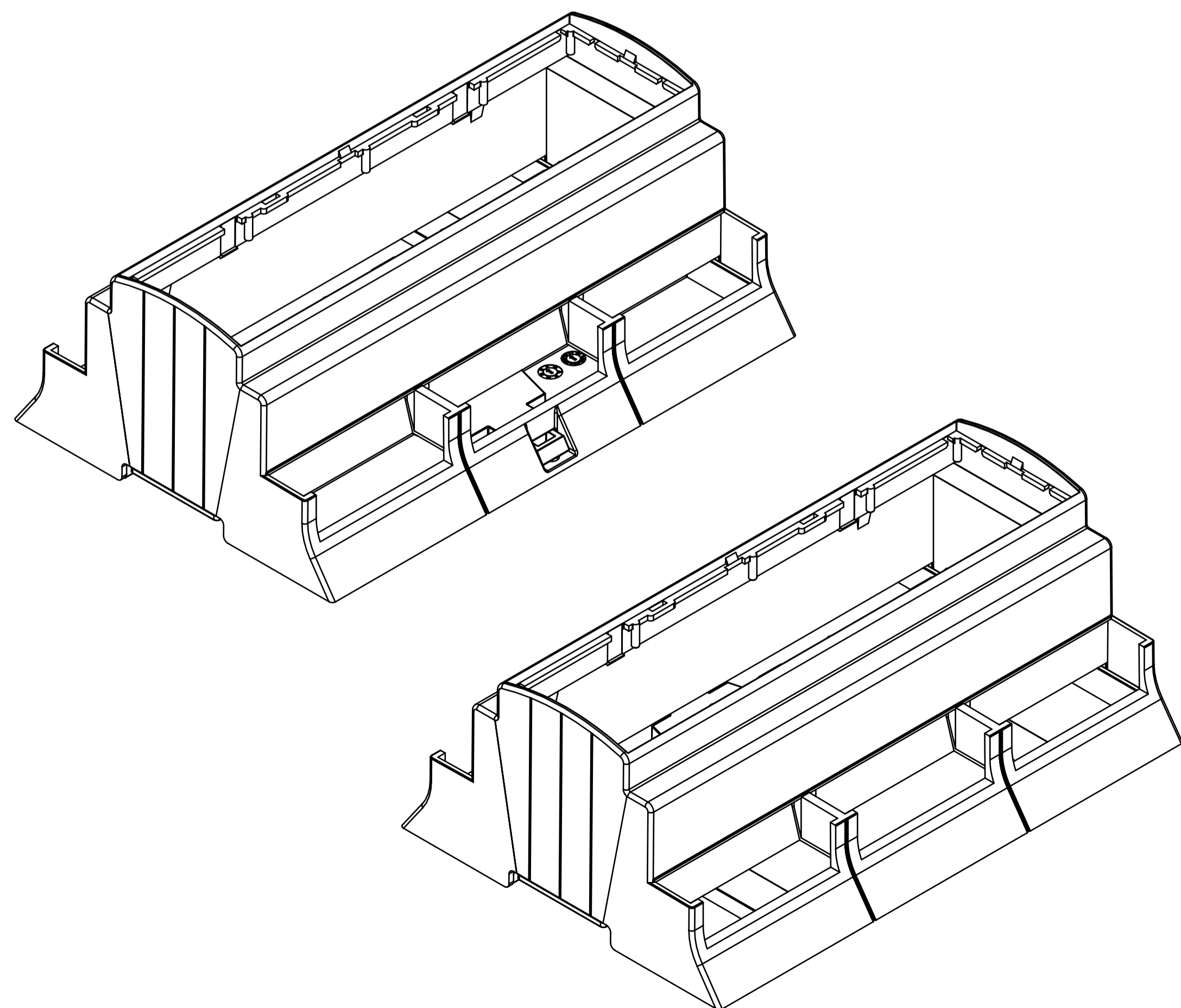
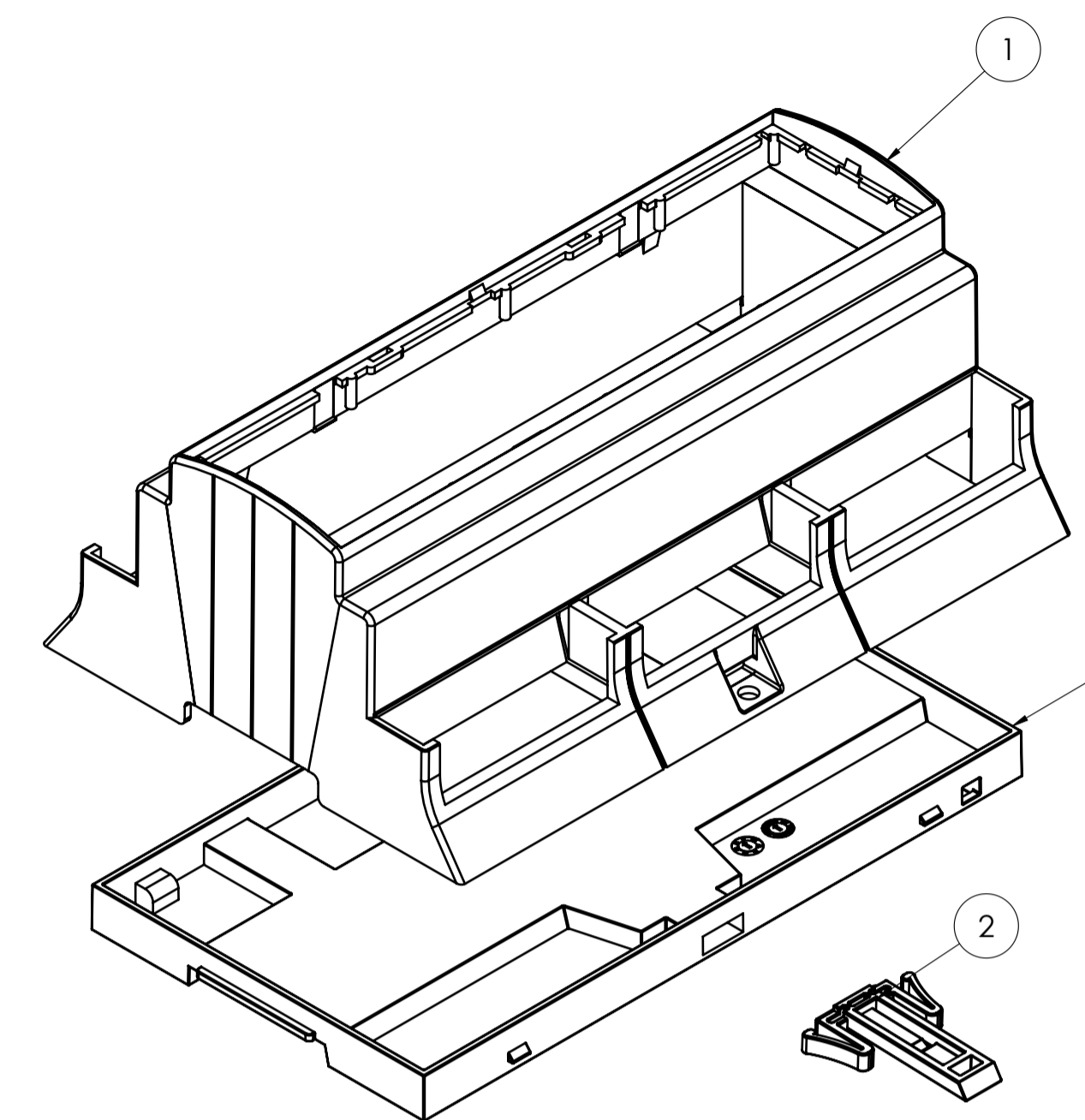
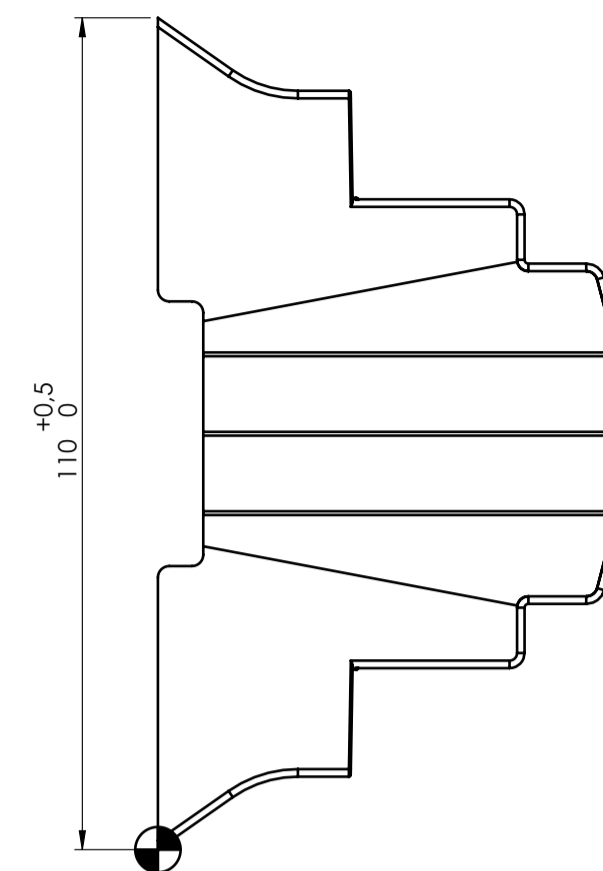
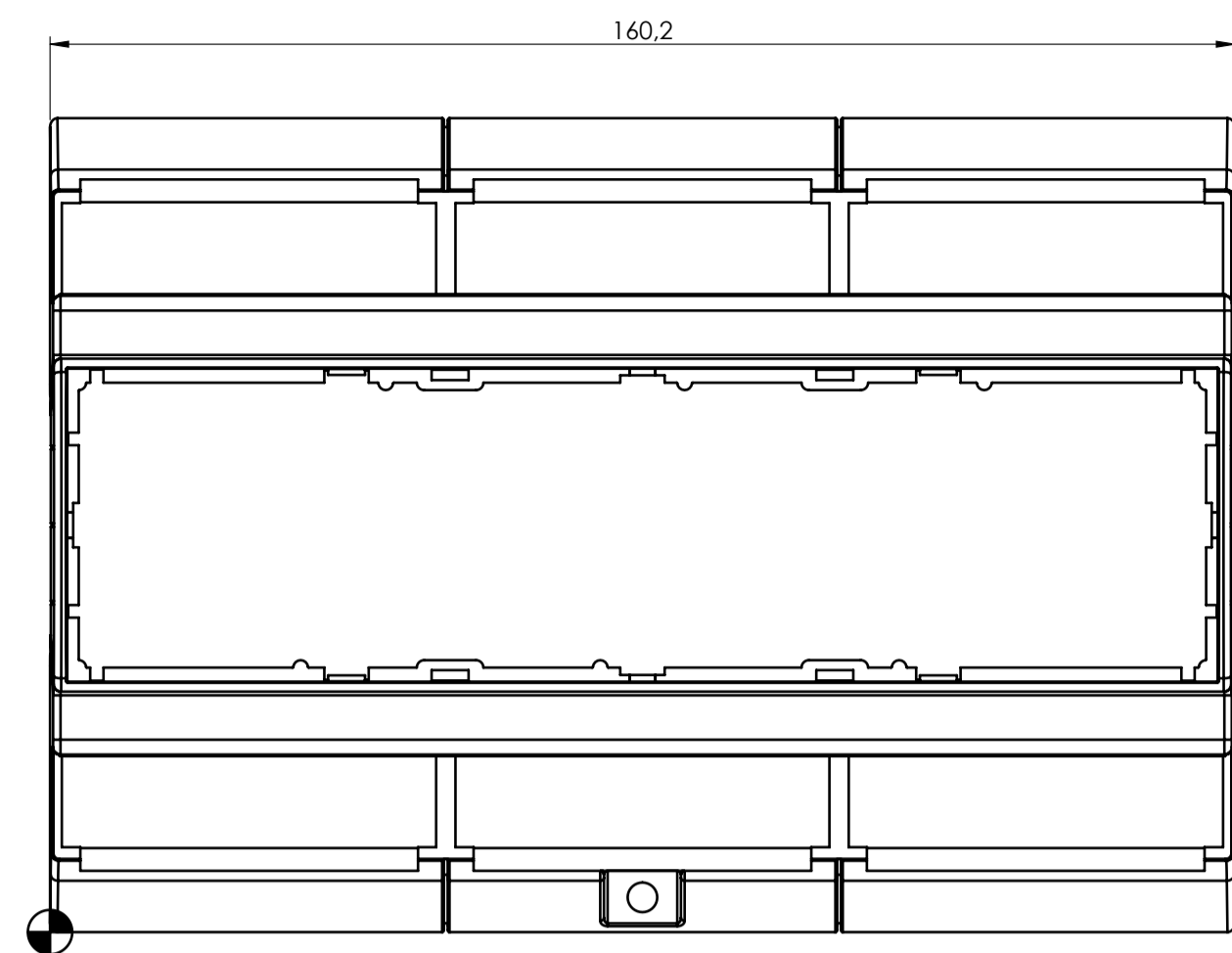
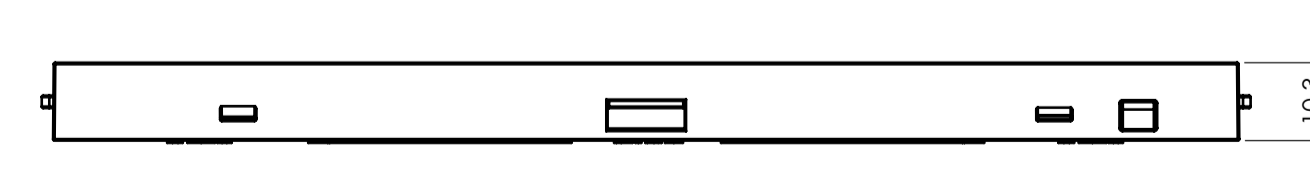
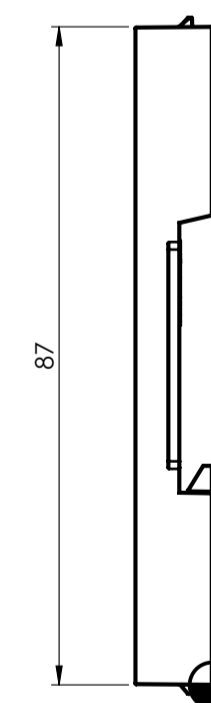
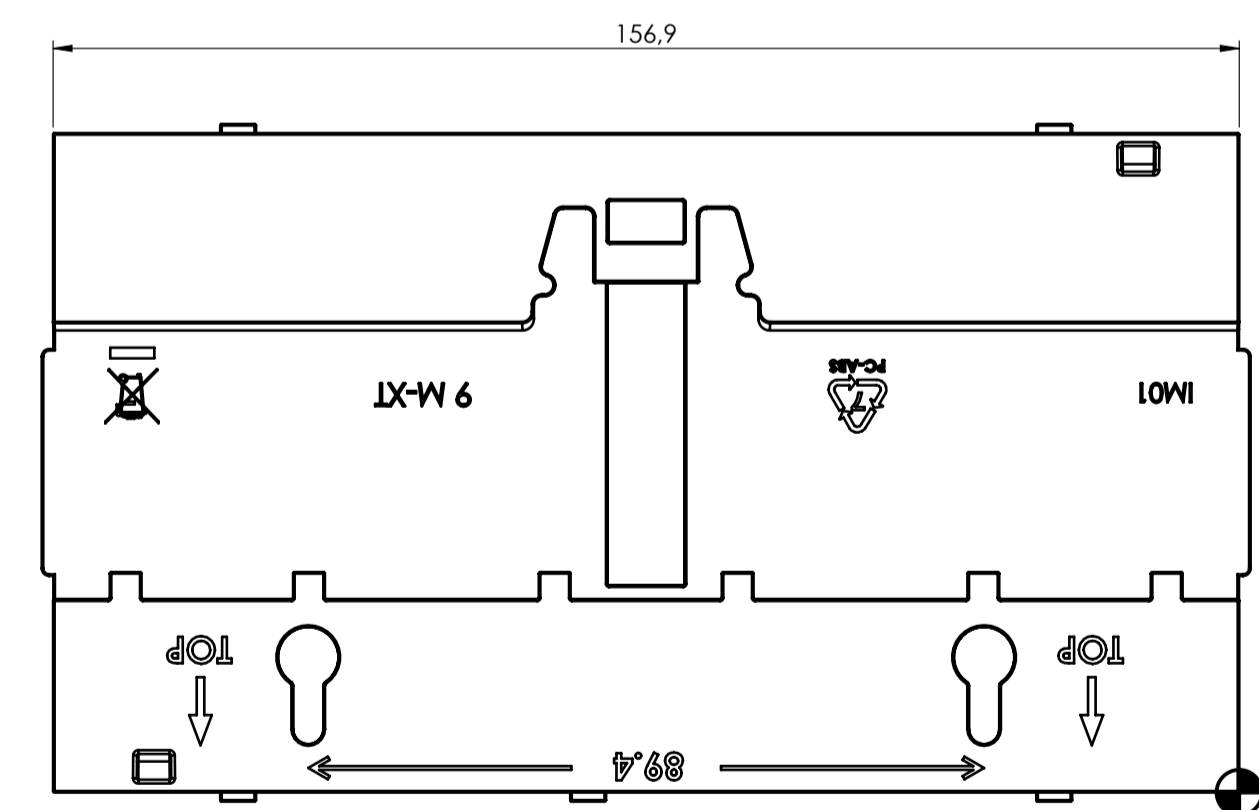


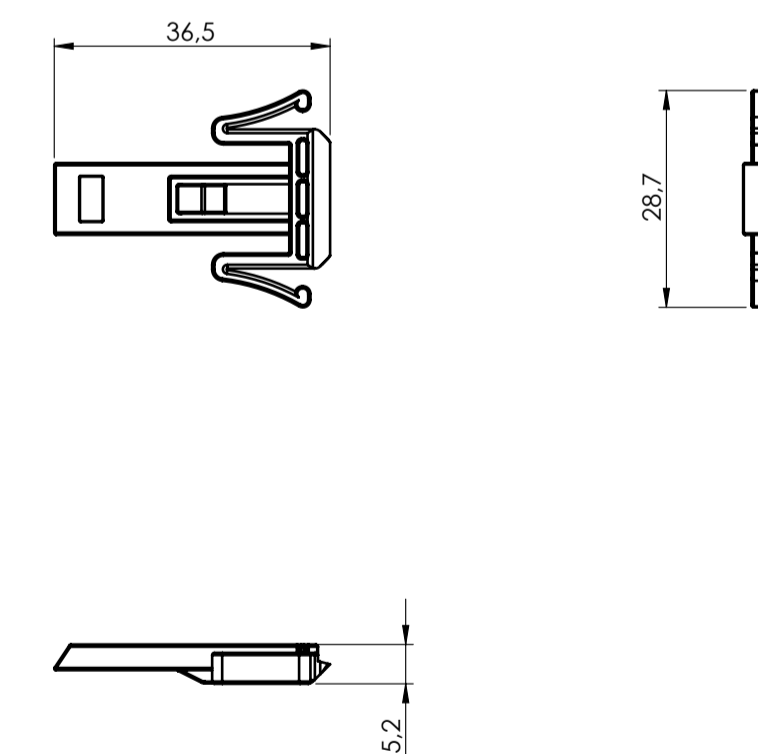
BODY ENCLOSURE



BASE



HOOK



General information:
 - Workpiece zero point for mechanical processing
 - Minimum recommended radius for machining = R1.0 mm
 - Mounting rail like EN 60715; TH 35-15
 - Recommended PCB outline on www.italtronic.com

RIF.	Q.TY	DRAWING	DESCRIPTION
1	1	2_250_03895	BODY ENCLOSURE MODULBOX XT 9M53-A
2	1	2_250_00072	HOOK FOR MODULBOX XT-X1S
3	1	2_250_00086	BASE 9M MODULBOX XT-X1S

Dimension in mm	General Tolerance (RIF EN 22768/1 Media III)	Sheet
from 0.5 to 3	±0.1	1
from 3 to 6	±0.1	
from 6 to 30	±0.2	
from 30 to 120	±0.3	
from 120 to 400	±0.5	

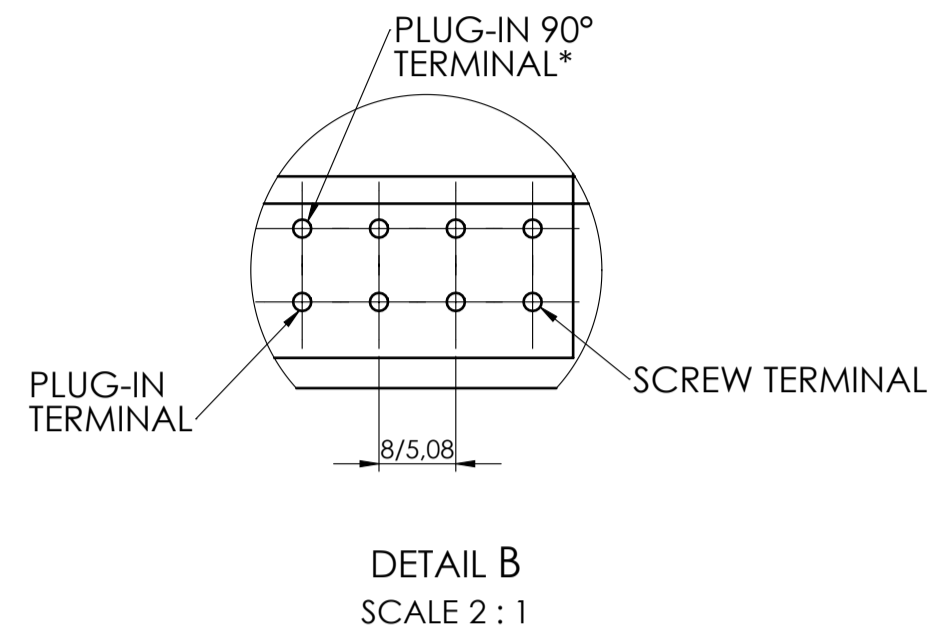
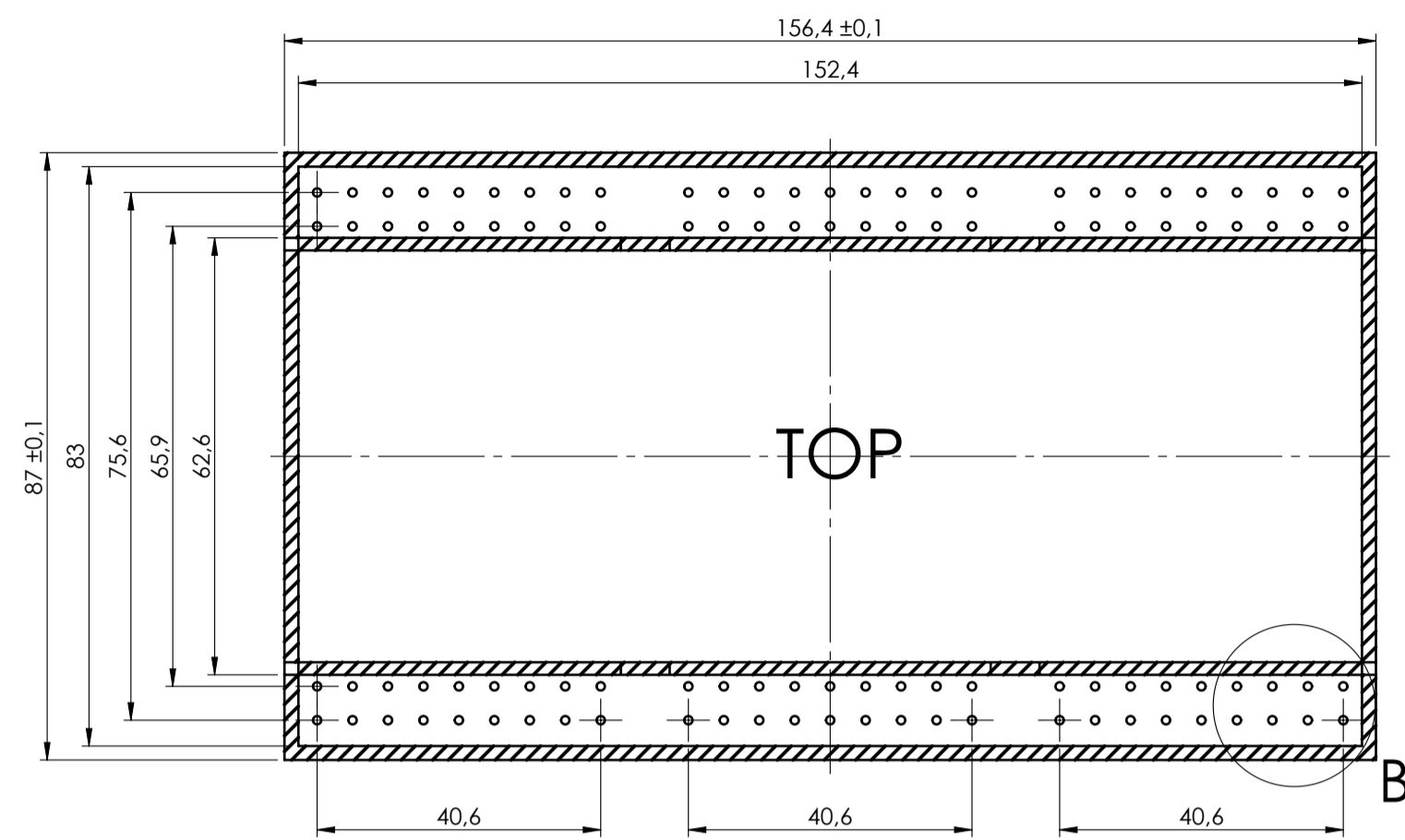
Scale:	Drawn:	Checked:	Date:	Material:	Process:
1:1	F.E.	R.N.	11/10/2024		

Description:	Weight:	Cod. Mod:
KIT CONTENITORE MODULBOX XT 9M53-A KIT ENCLOSURE MODULBOX XT 9M53-A	gr	--

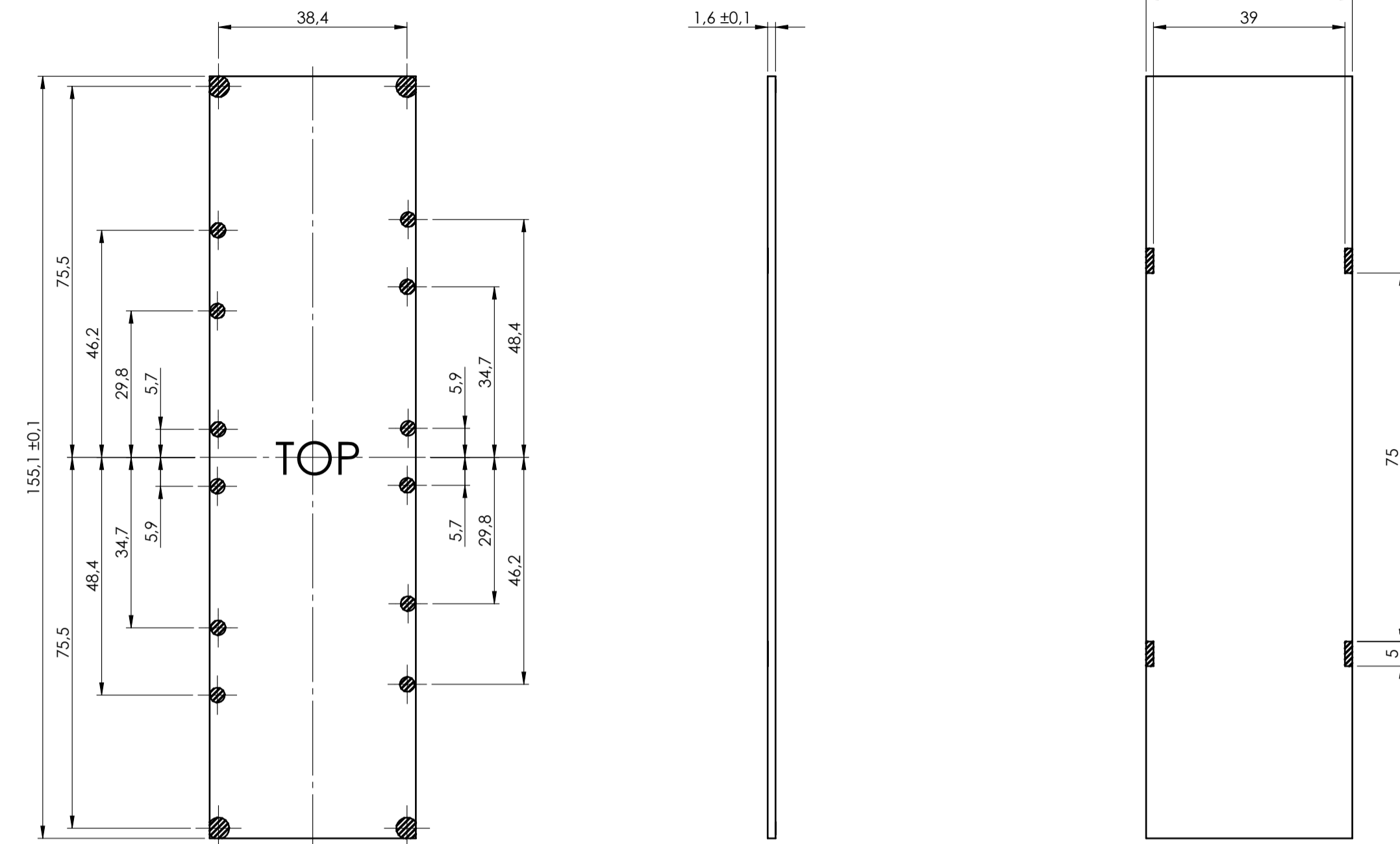
Dimension in mm	Dimension in mm	Dimension in mm
3.250_00226	3.250_00226	3.250_00226

Max height of the terminal:
 Modulbox XT/XTS: 18.5 mm
 Modulbox ONE: 20 mm

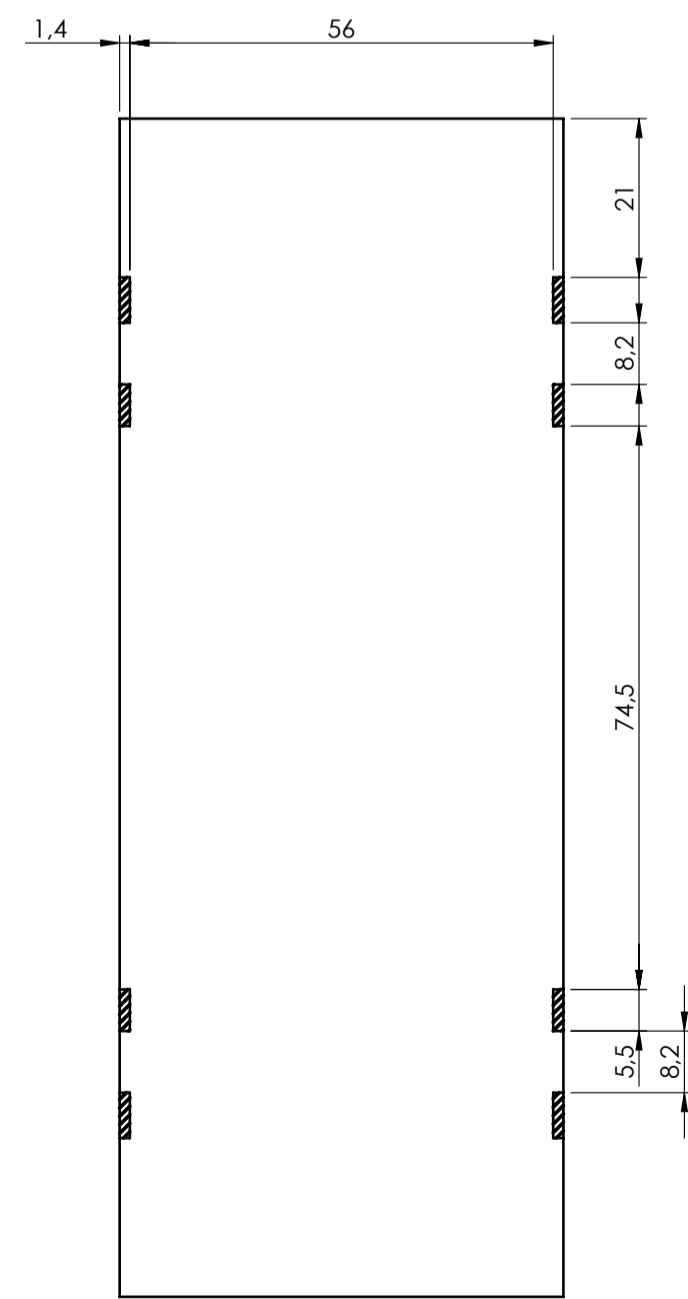
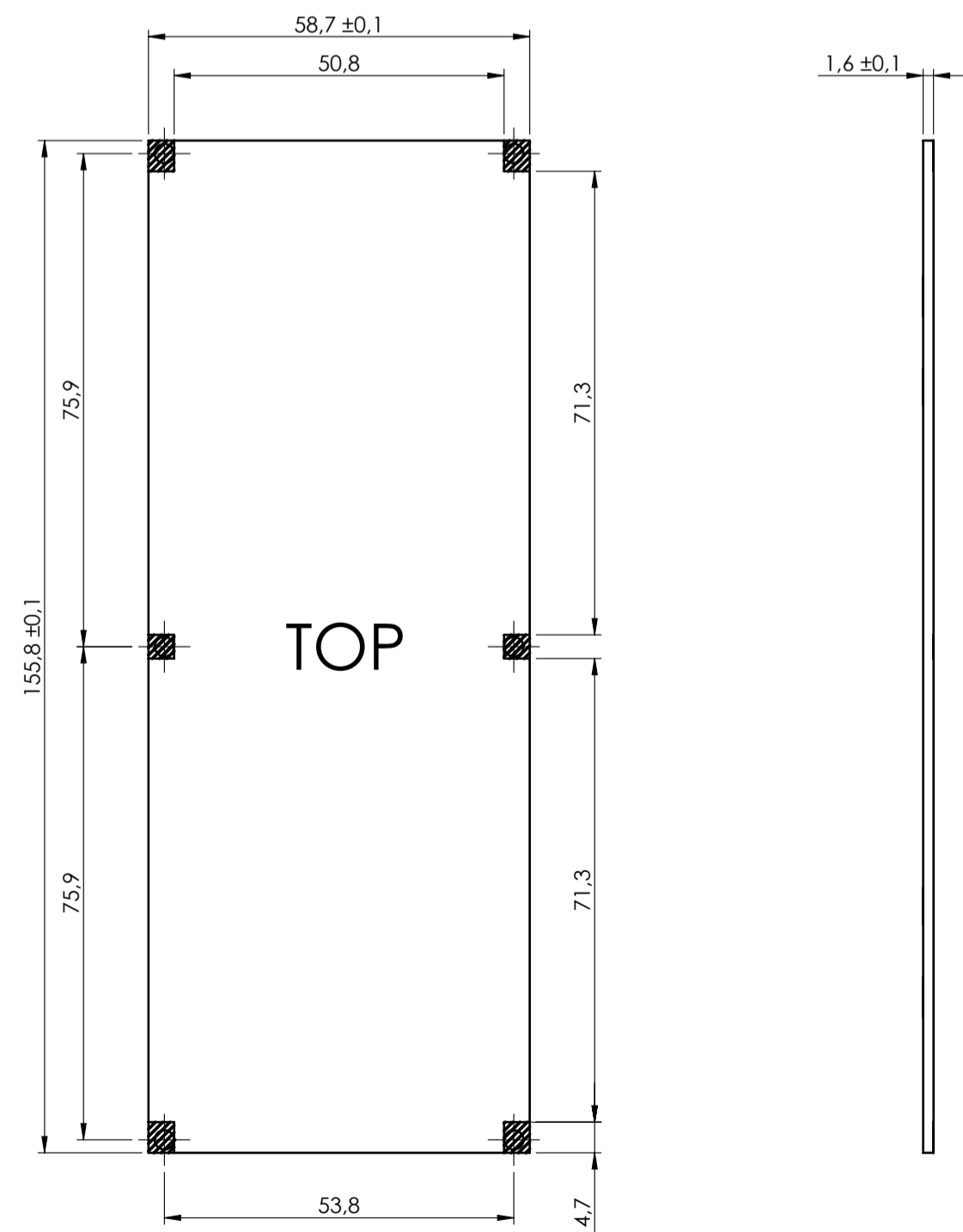
PCB A



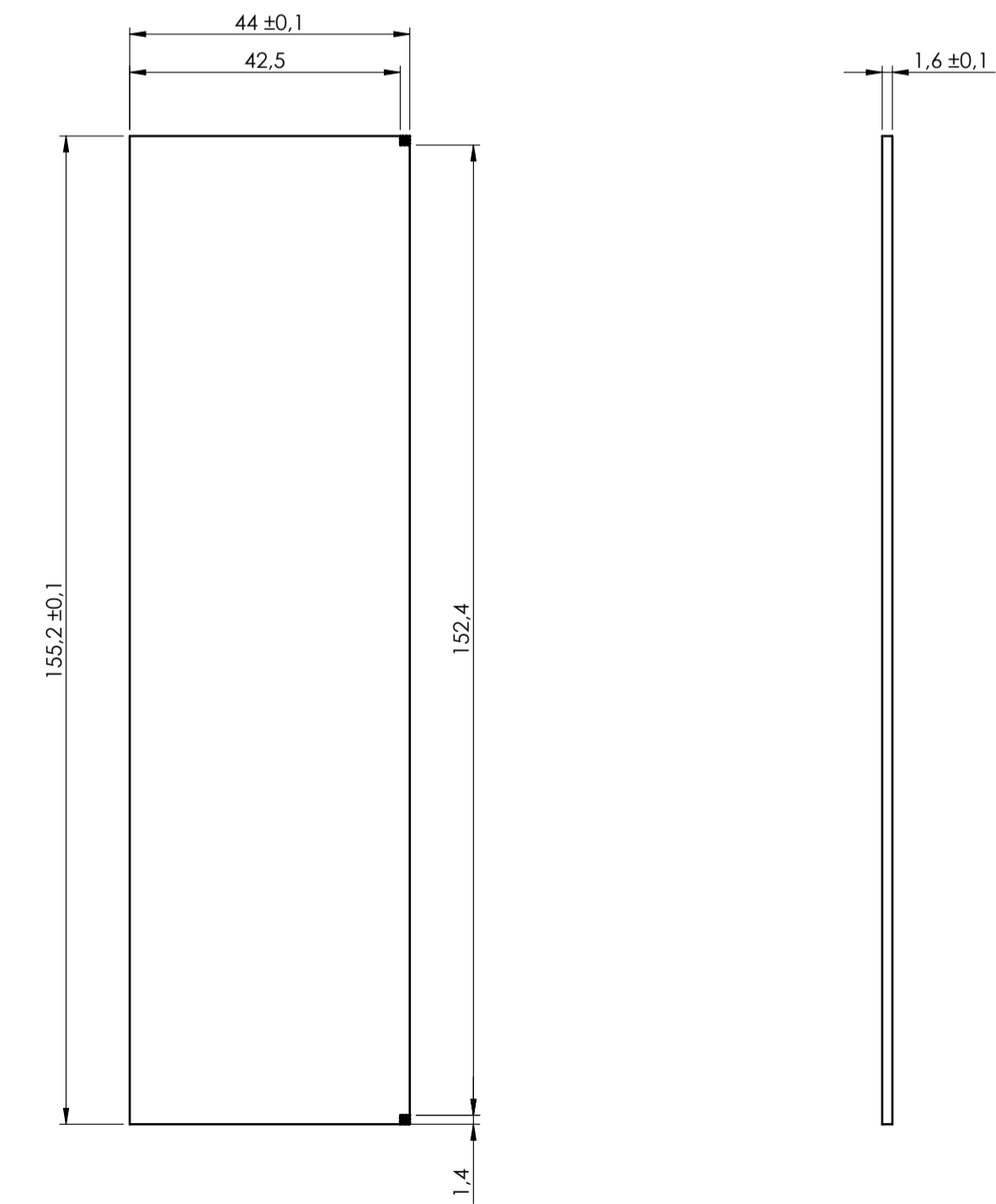
PCB C



PCB B



PCB V2



General Tolerance UNE EN 22768/1 Medio (m)				Sheet:	
from 0.5 to 3 ± 0.1	from 3 to 6 ± 0.1	from 6 to 30 ± 0.2	from 30 to 120 ± 0.3	from 120 to 400 ± 0.5	PCB
Scale:	Drawn:	Checked:	Date:	Material:	Process:
1:1	F.E.	R.N.	11/10/2024		
Dimension in mm				Weight:	Cod. Mold:
				gr	--
Description:		KIT CONTENITORE MODULBOX XT 9MS3-A			
enclosures for electronics		KIT ENCLOSURE MODULBOX XT 9MS3-A			
italtronic.com		Drawing n°: 3_250_00226			
					Rev: -
					A1

NO COMPONENTS AREA