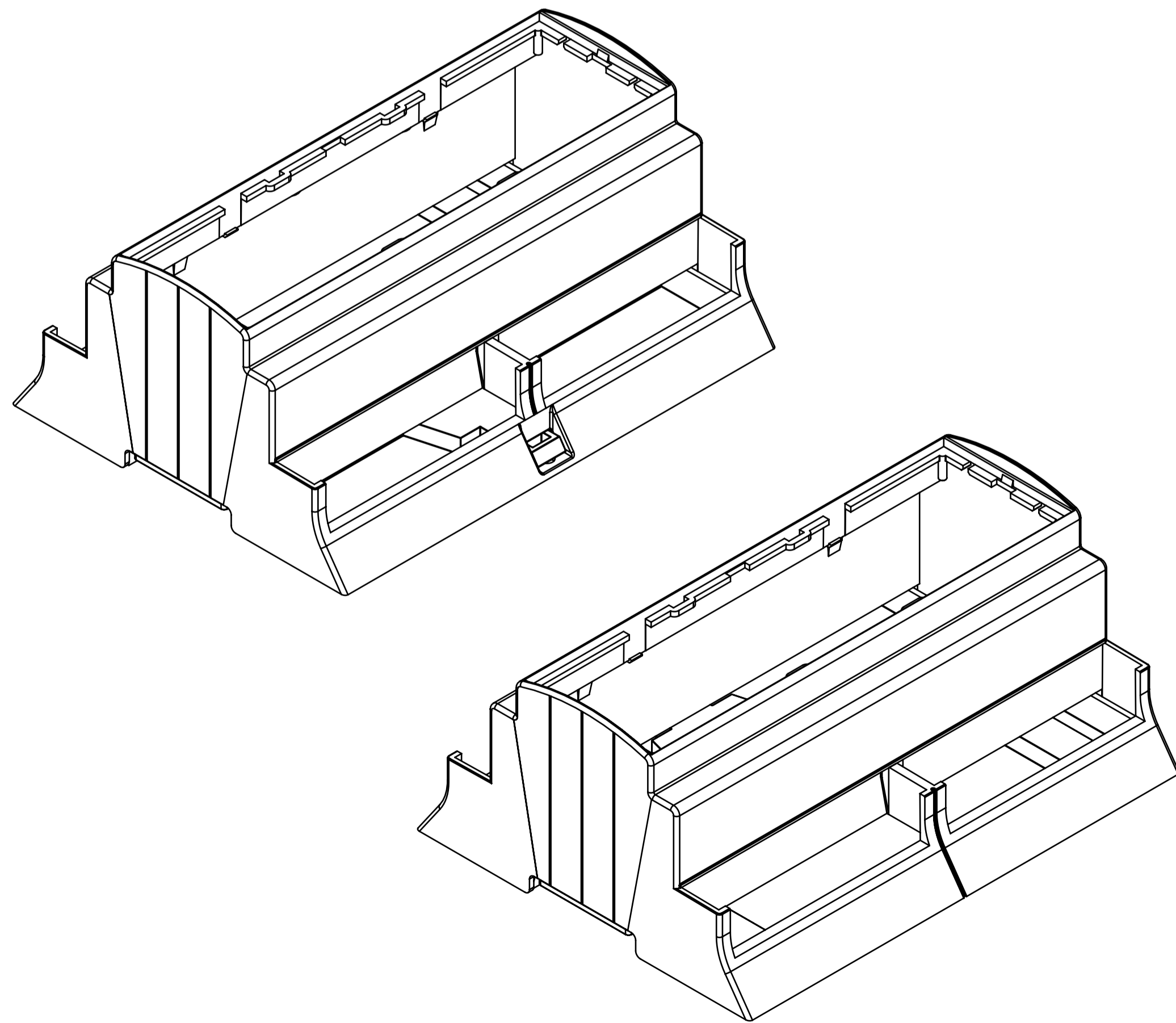
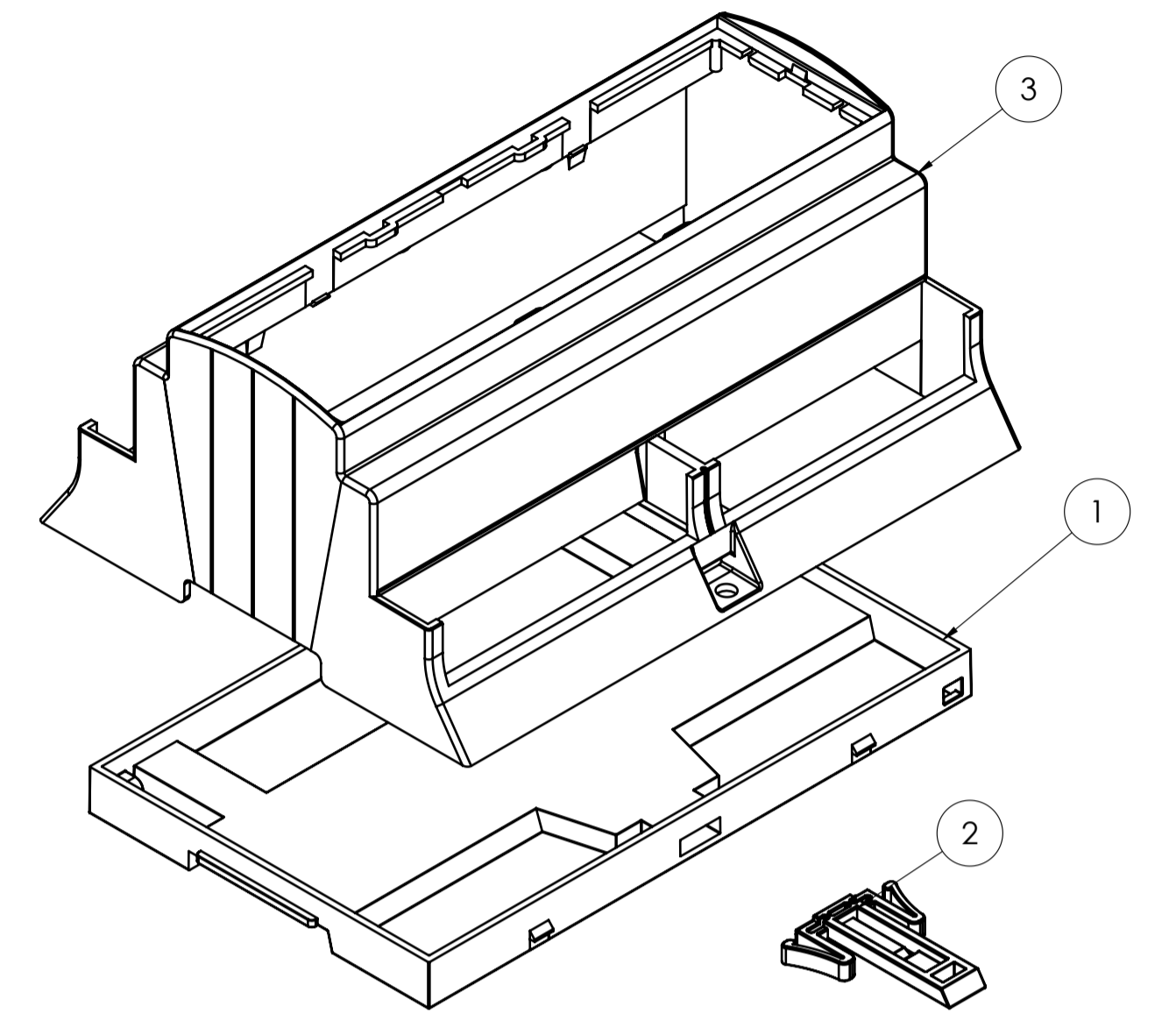
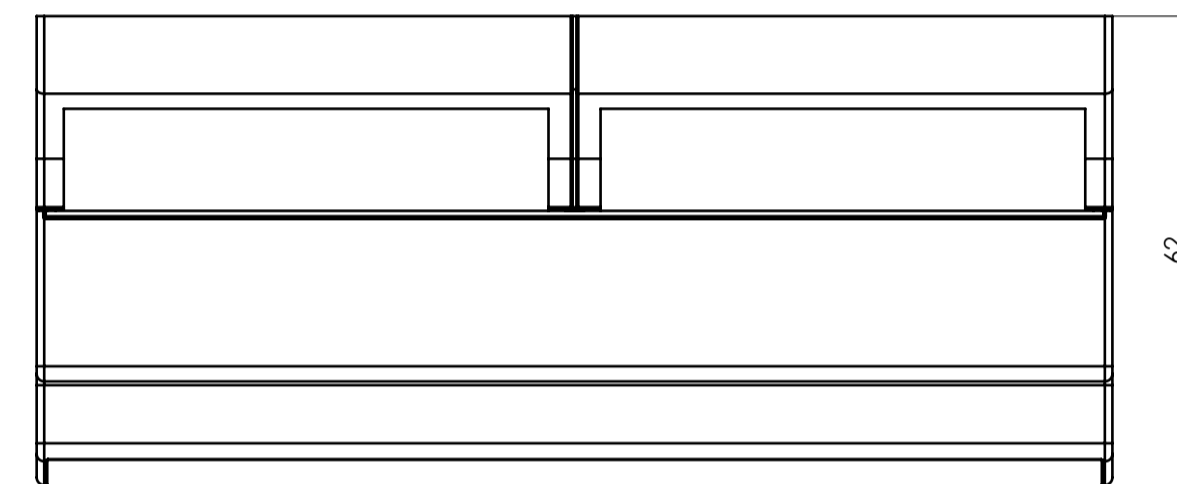
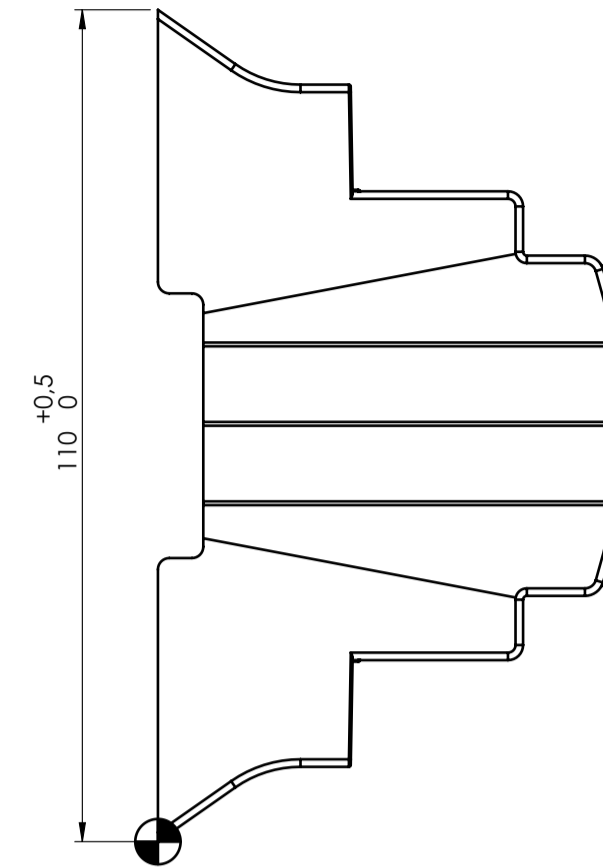
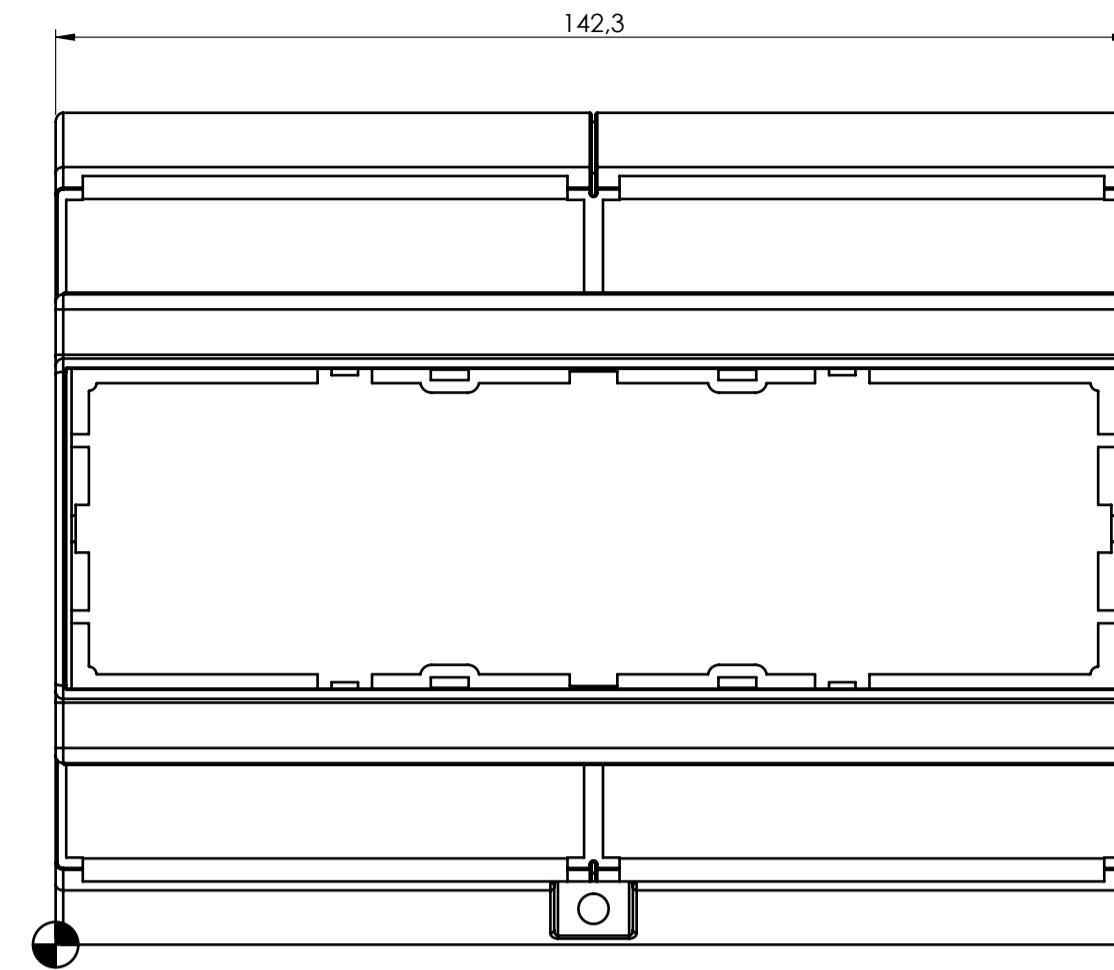
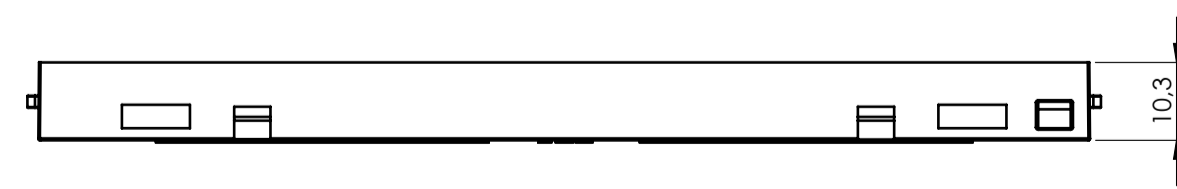
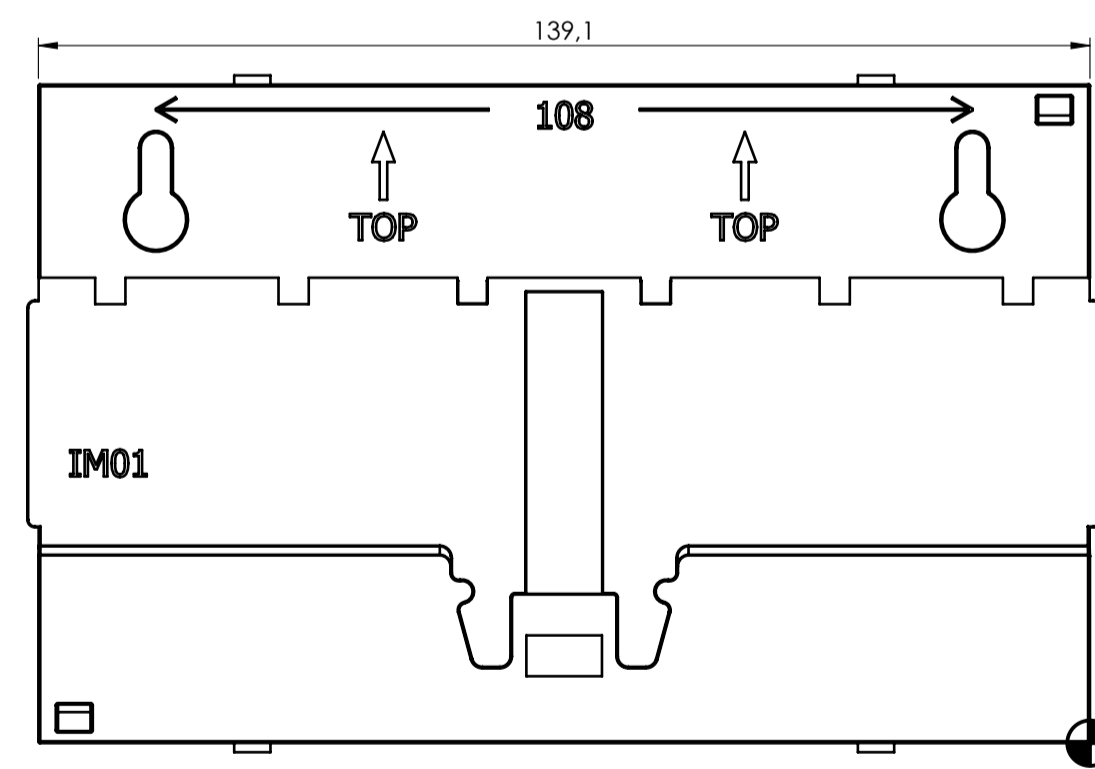


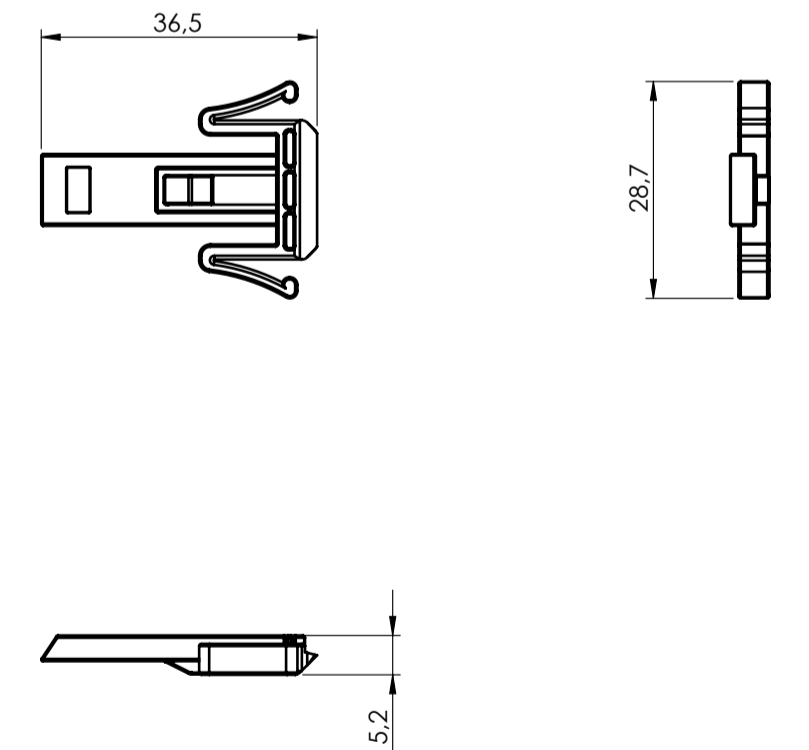
BODY ENCLOSURE



BASE



HOOK



General information:
 - Workpiece zero point for mechanical processing
 - Minimum recommended radius for machining = R1.0 mm
 - Mounting rail like EN 60715; TH 35-15
 - Recommended PCB outline on www.italtronic.com

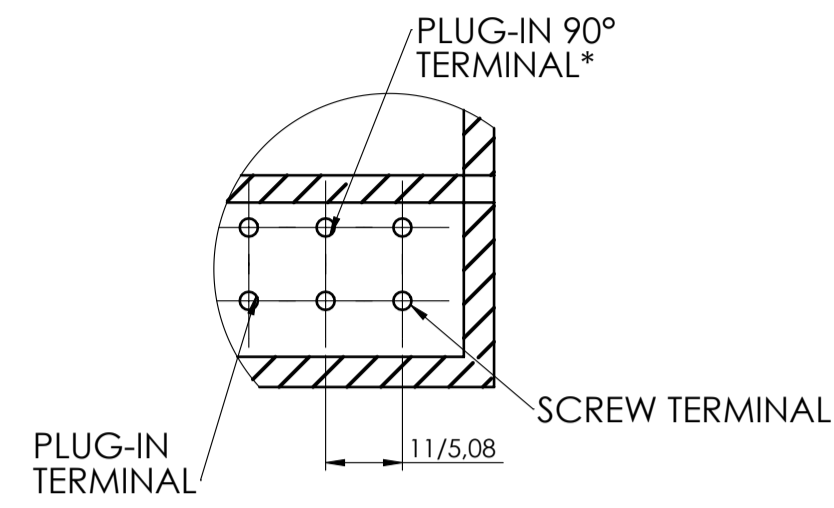
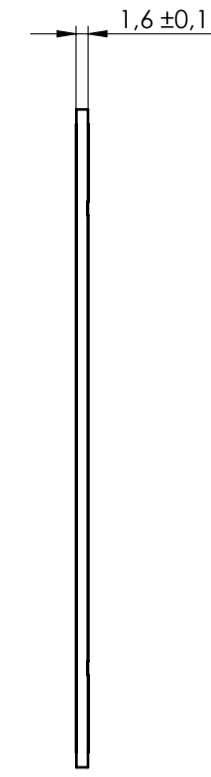
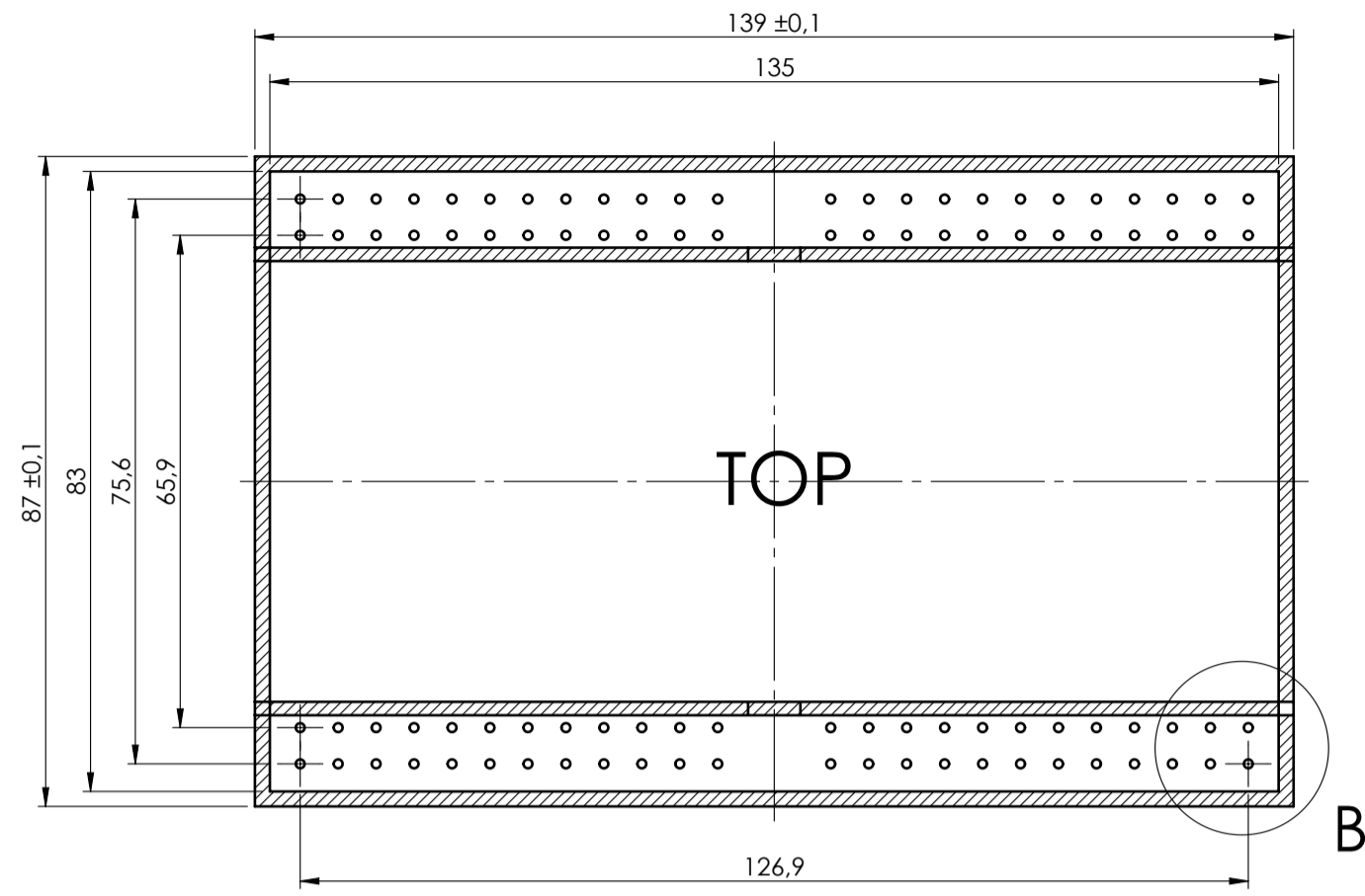
RIF.	Q.TY	DRAWING	DESCRIPTION
1	1	2_250_03649	BASE MODULBOX XT/XTS - 8M
2	1	2_250_00072	HOOK FOR MODULBOX XT-XTS
3	1	2_250_03890	BODY ENCLOSURE MODULBOX XT 8M53-A

Dimension in mm	from 0.5 to 3	from 3 to 6	from 6 to 30	from 30 to 120	from 120 to 400	Sheet					
General Tolerances (UNE EN 22768/1) Medio [mm]	± 0.1	± 0.1	± 0.2	± 0.3	± 0.5	1					
Scale:	1:1	Drawn:	F.E.	Checked:	R.N.	Date:	11/10/2024	Material:		Process:	
Weight:		gr									
Cod. Mod:											

 enclosures for electronics italtronic.com	Description: KIT CONTENITORE MODULBOX XT 8M53-A KIT ENCLOSURE MODULBOX XT 8M53-A Drawing nr.	Rev.: 00	A1
	3_250_00221		

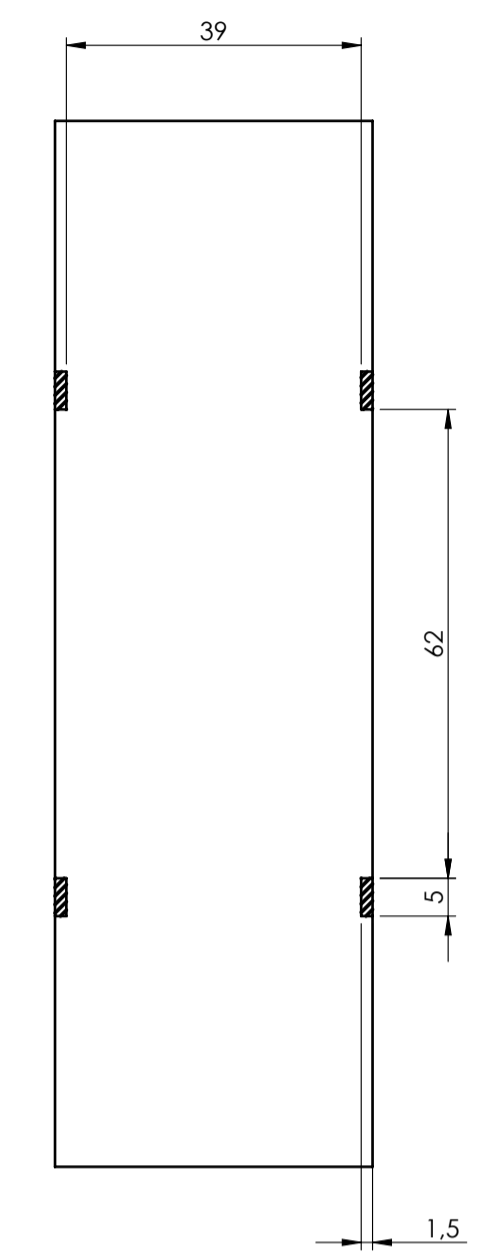
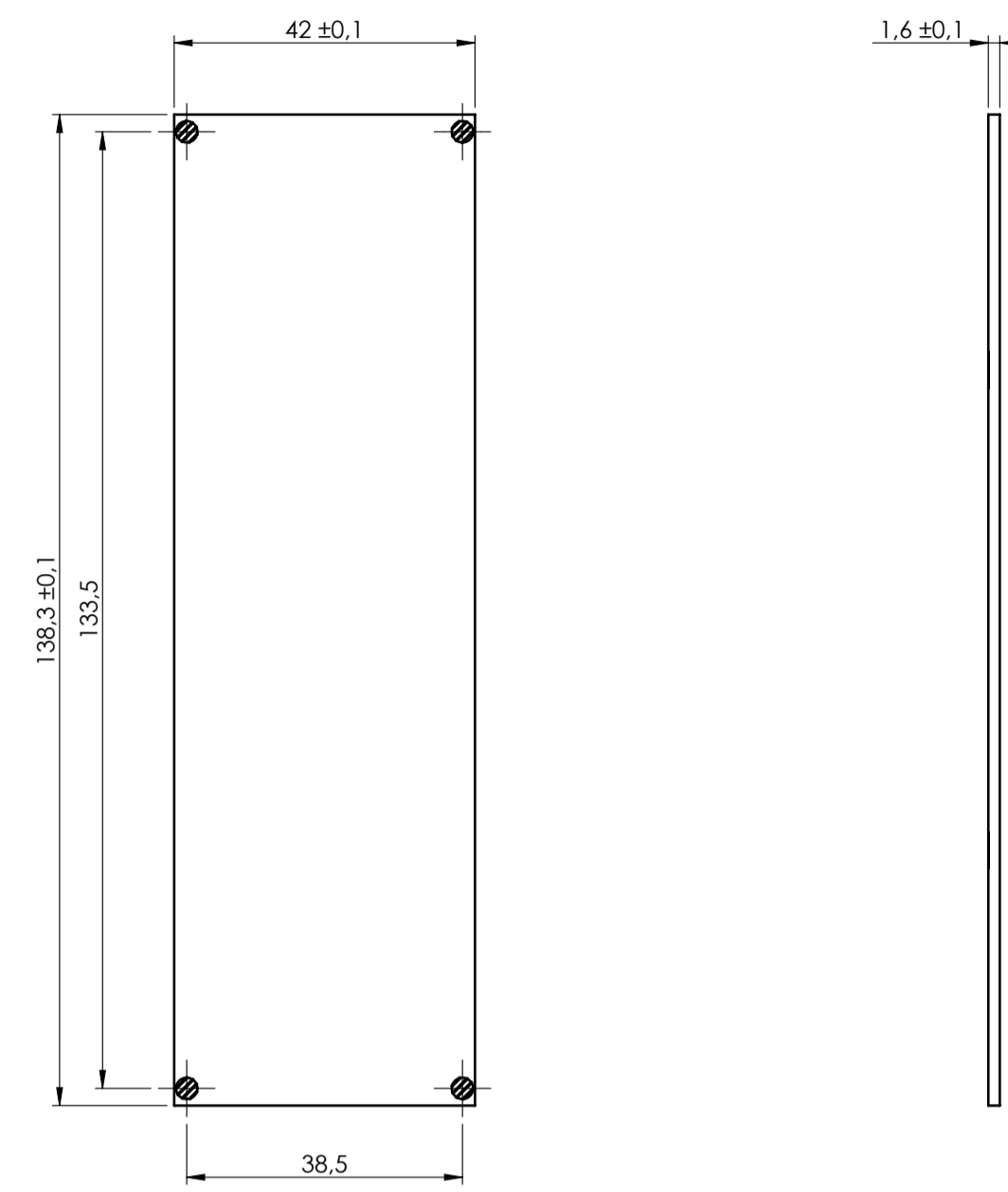
Max height of the terminal:
 Modulbox XT/XTS: 18.5 mm
 Modulbox ONE: 20 mm

PCB A

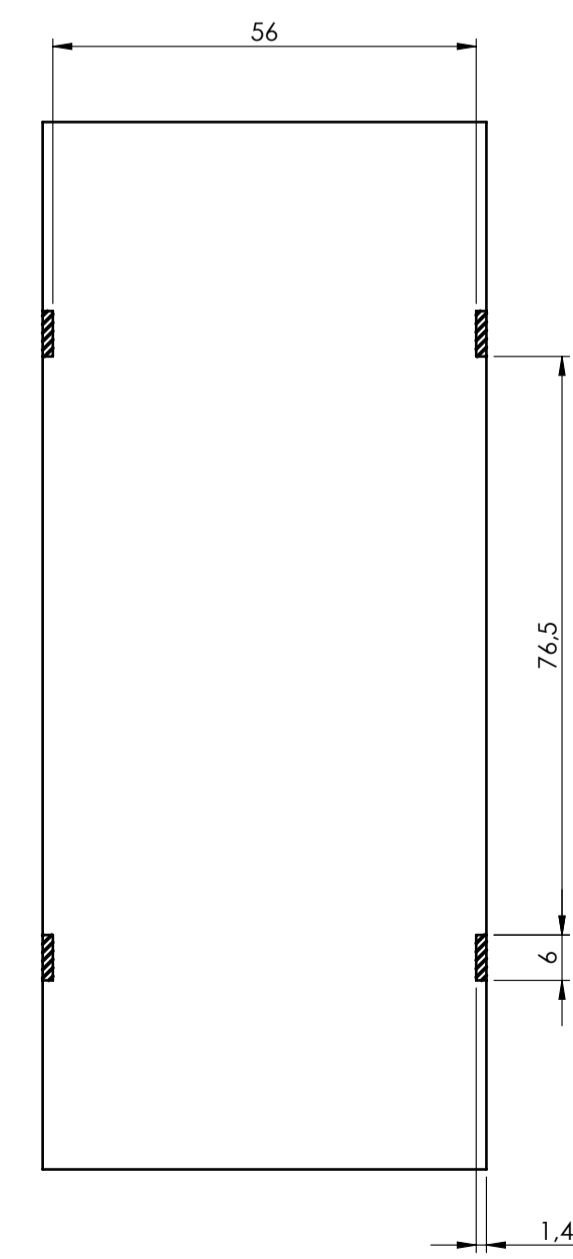
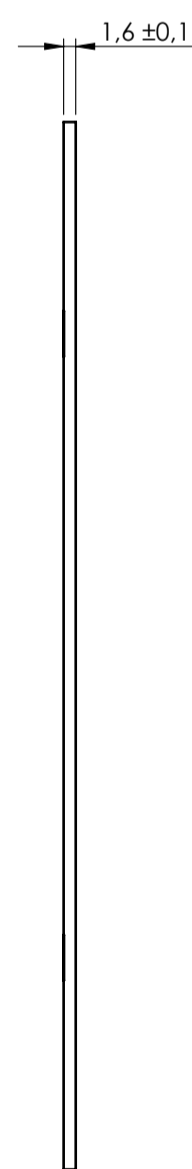
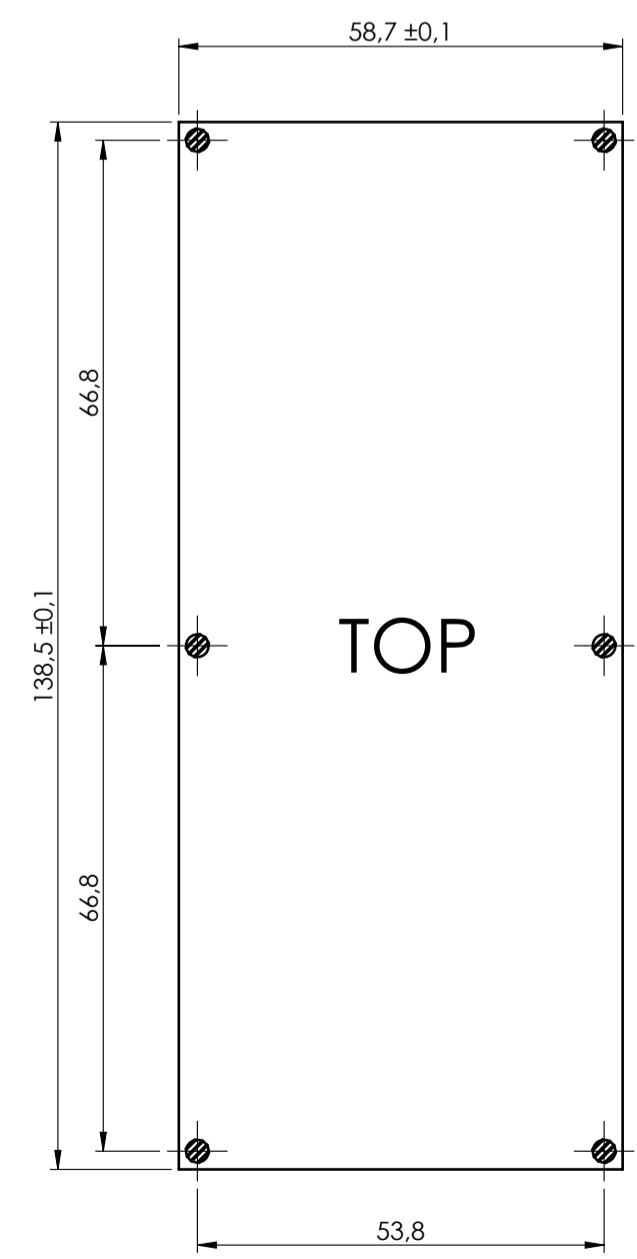


DETAIL B
 SCALE 2 : 1

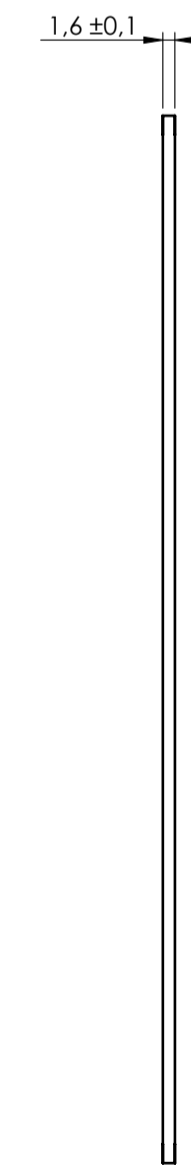
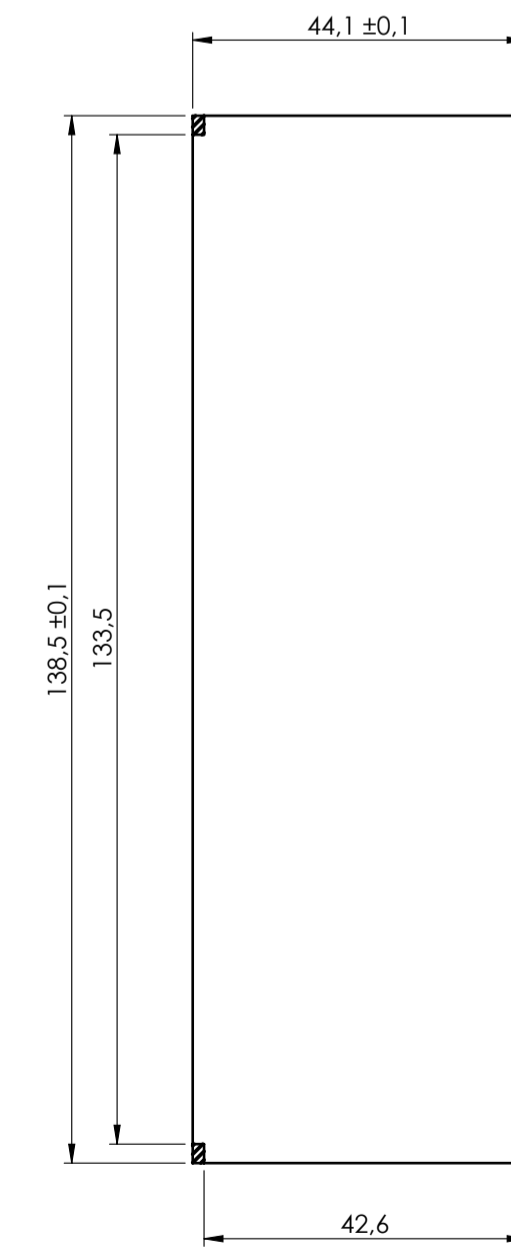
PCB C



PCB B



PCB V2



General Tolerance IIR EN 22768/1 Media (m)				Sheet:	
from 0.5 to 3 ± 0.1	from 3 to 6 ± 0.1	from 6 to 30 ± 0.2	from 30 to 120 ± 0.3	from 120 to 400 ± 0.5	PCB
Scale:	Drawn:	Checked:	Date:	Material:	Process:
1:1	F.E.	R.N.	11/10/2024		
Dimension in mm			Derived from:	Weight:	Cod. Mold:
				gr	--
			Description: KIT CONTENITORE MODULBOX XT 8MS3-A KIT ENCLOSURE MODULBOX XT 8MS3-A Drawing n°: 3_250_00221		
					Rev: 00 A1

NO COMPONENTS AREA