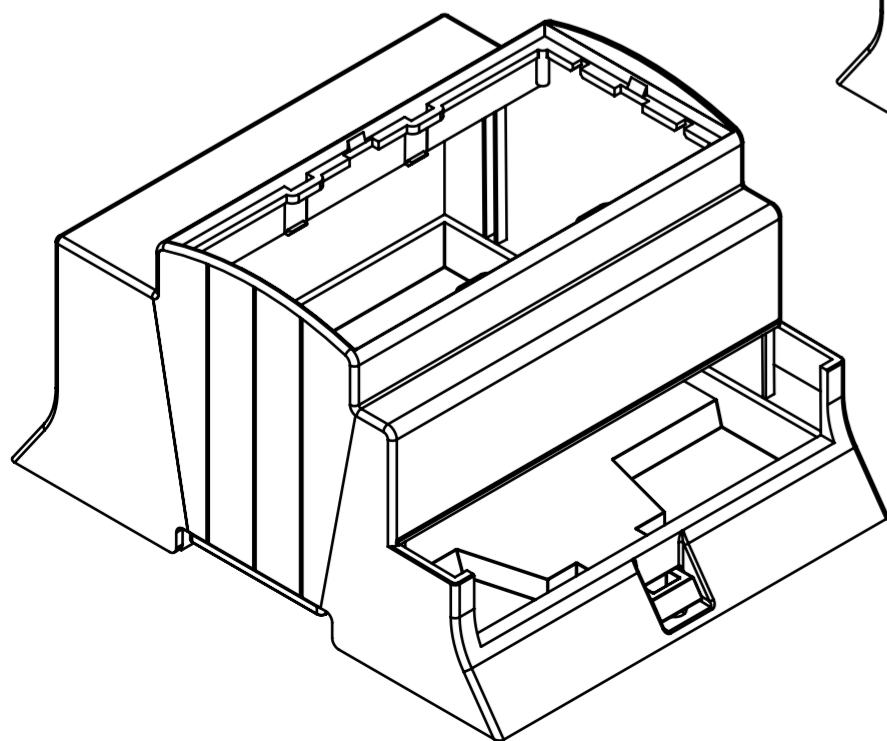
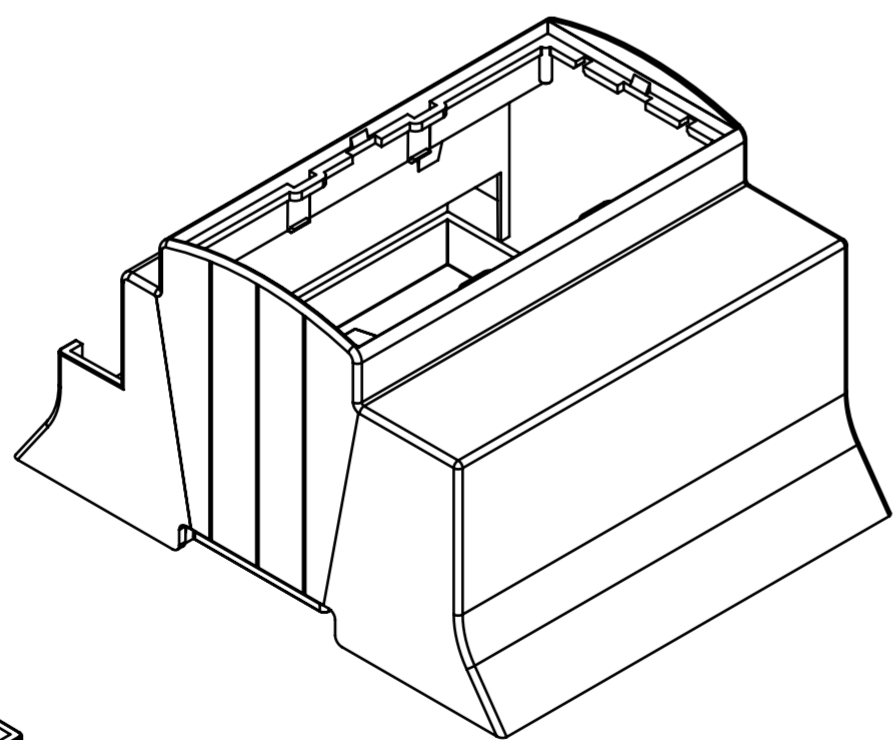
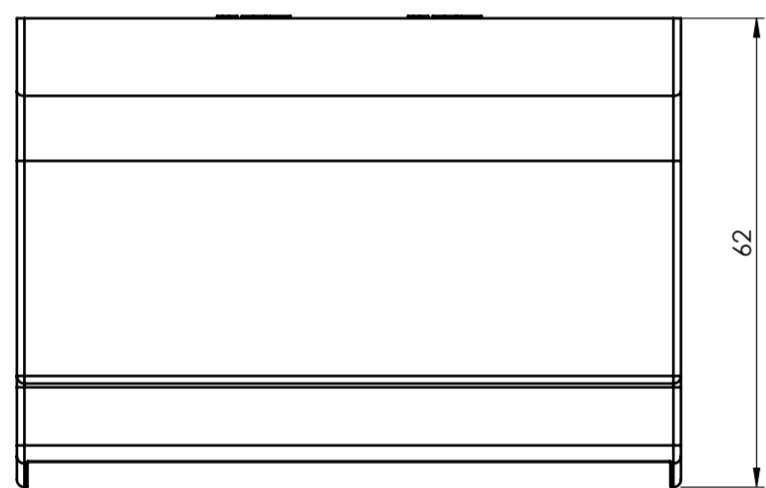
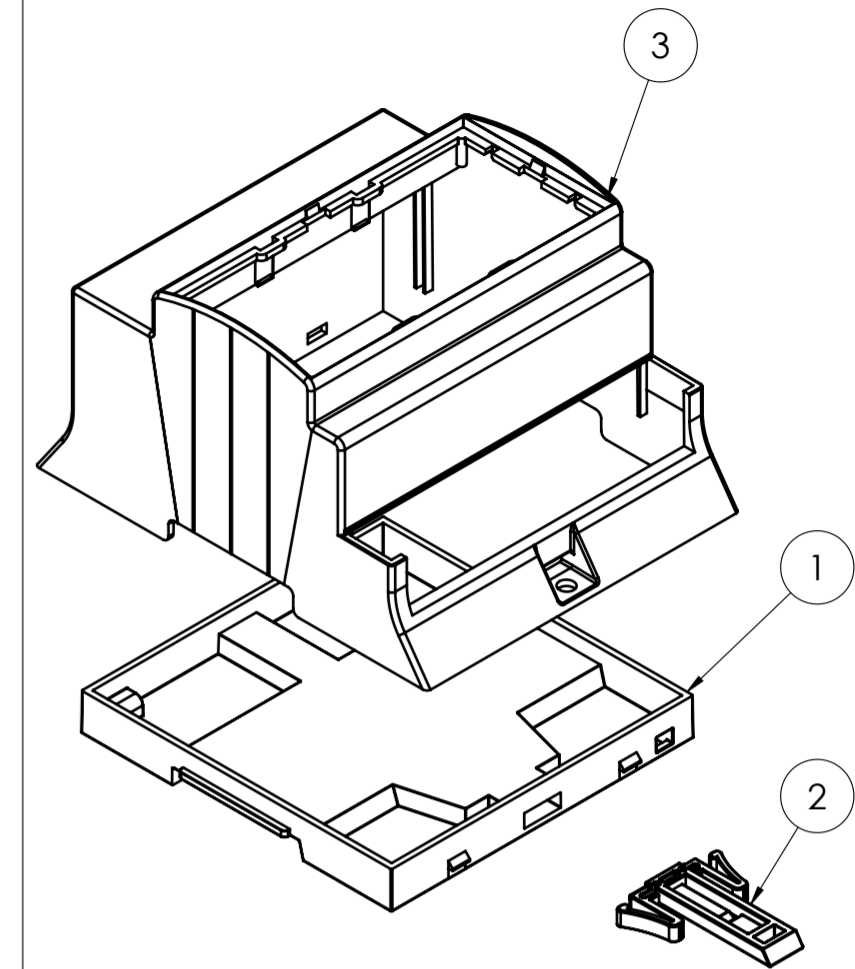
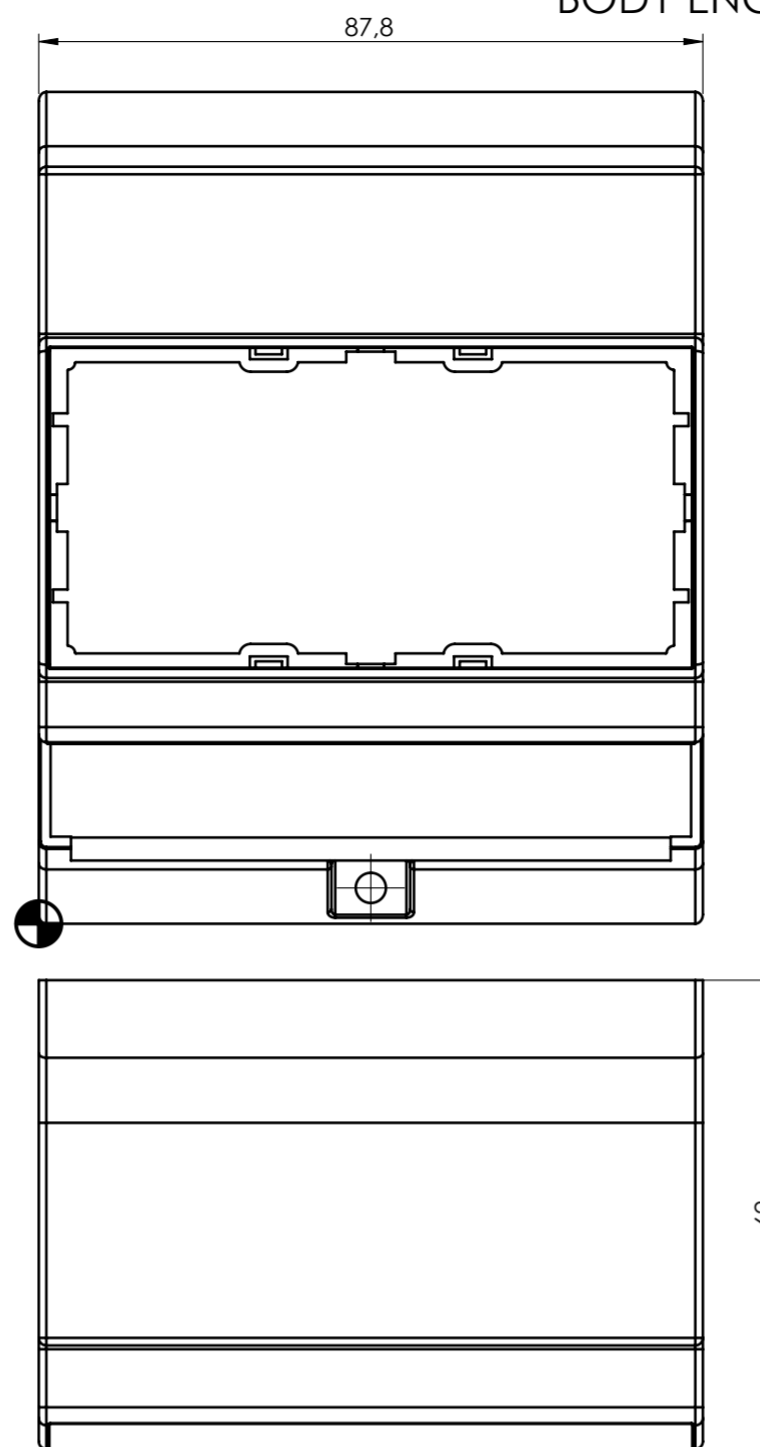


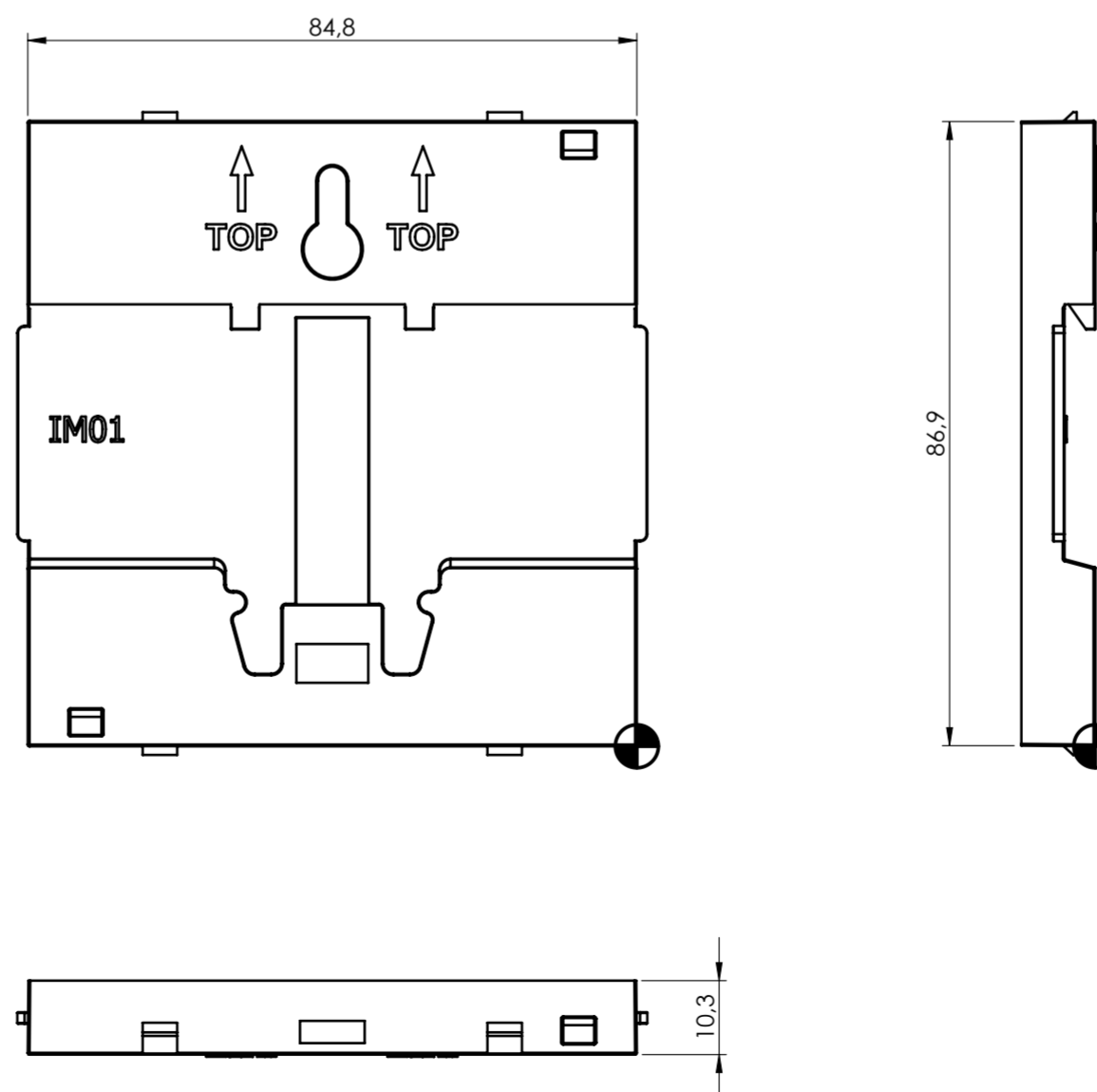
SECTION A-A



BODY ENCLOSURE

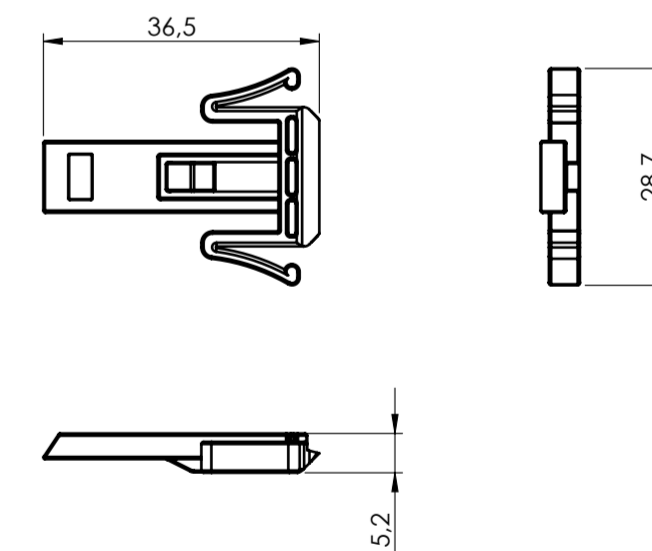


BASE



General information:
 - Workpiece zero point for mechanical processing
 - Minimum recommended radius for machining = R1.0 mm
 - Mounting rail like EN 60715: TH 35-7.5 or TH 35-15
 - Recommended PCB outline on www.italtronic.com

HOOK



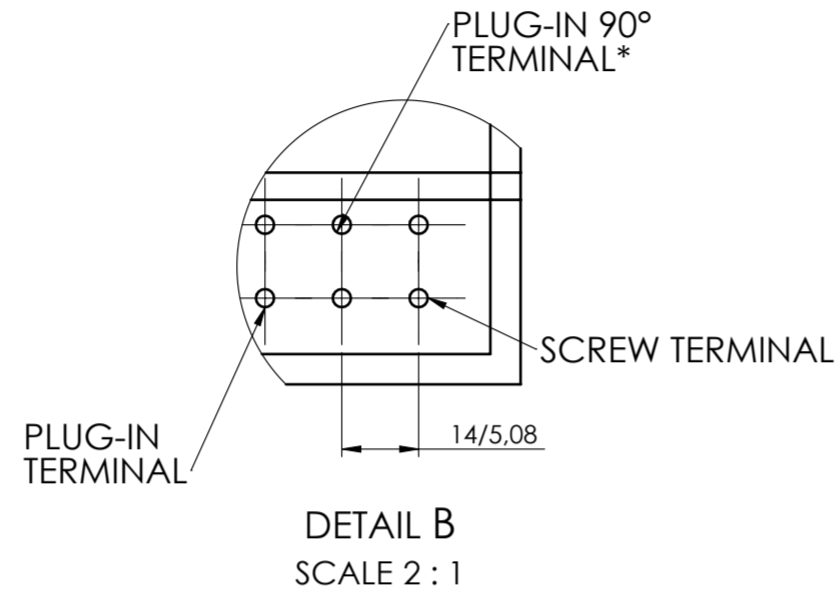
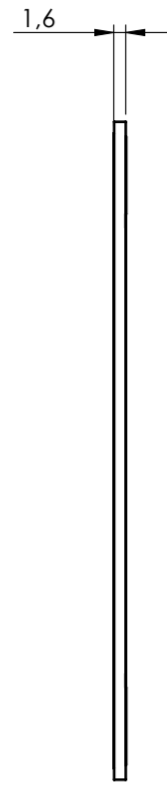
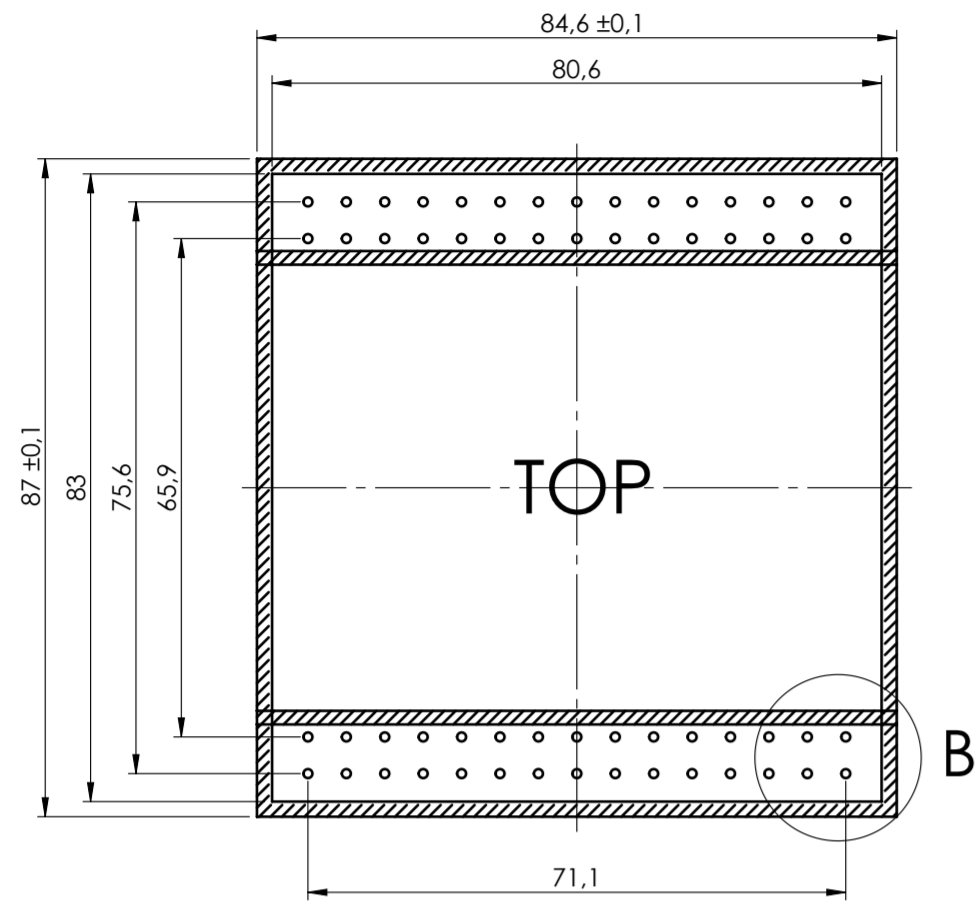
REF.	Q.TY	DRAWING	DESCRIPTION
1	1	2_250_03678	BASE MODULBOX XT\XTS - 5M
2	1	2_250_00072	HOOK FOR MODULBOX XT\XTS
3	1	2_250_03884	BODY ENCLOSURE MODULBOX XT CORPO CONTENITORE MODULBOX XT

General Tolerance UNI EN 22768/1 Media (m)						Sheet:
from 0.5 to 3	from 3 to 6	from 6 to 30	from 30 to 120	from 120 to 400		1
± 0.1	± 0.1	± 0.2	± 0.3	± 0.5		
Scale:	IM:	Drawn:	Checked:	Date:	Material:	Process:
1:1	--	F.E.	R.N.	11/10/2024		
Dimension in mm		Replaces the:		Derived from:	Weight:	Cod. Mold:
		M-04089			gr	--

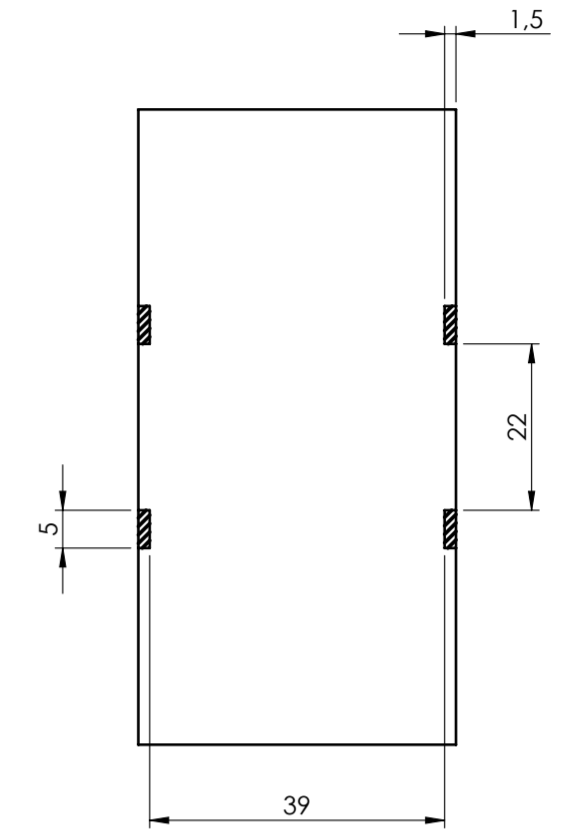
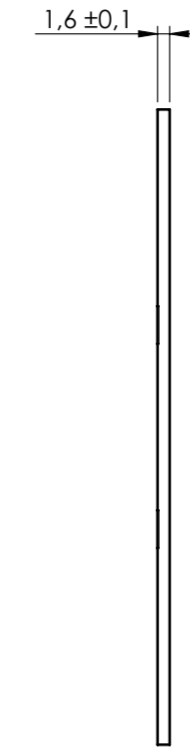
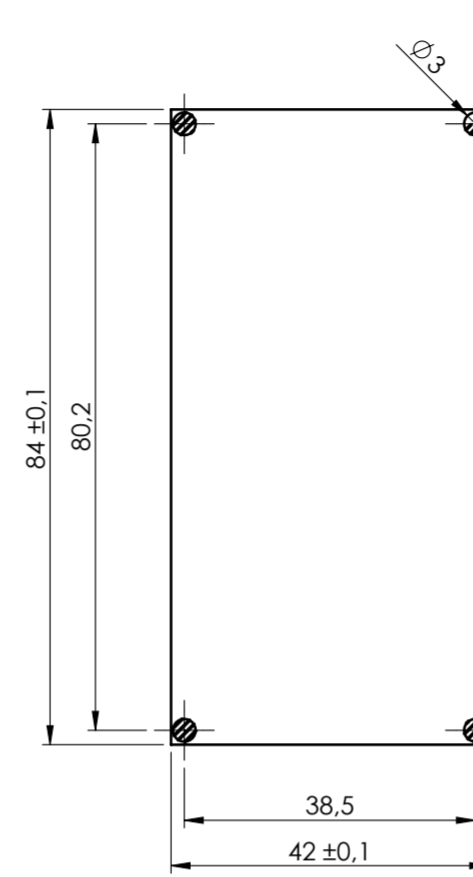
italtronic
 enclosures for electronics
italtronic.com
 Description:
 KIT CONTENITORE MODULBOX XT 5MH53-B
 KIT ENCLOSURE MODULBOX XT 5MH53-B
 Drawing nr.:
3_250_00213
 Rev.:
 00 A2

PCB A

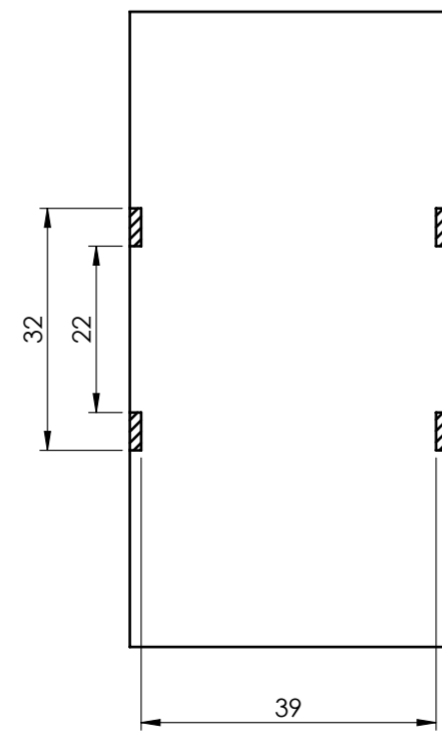
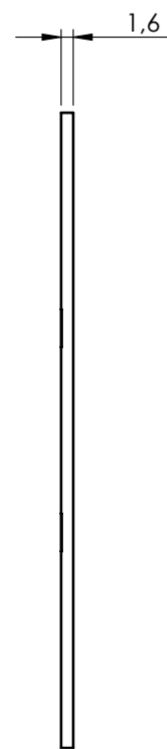
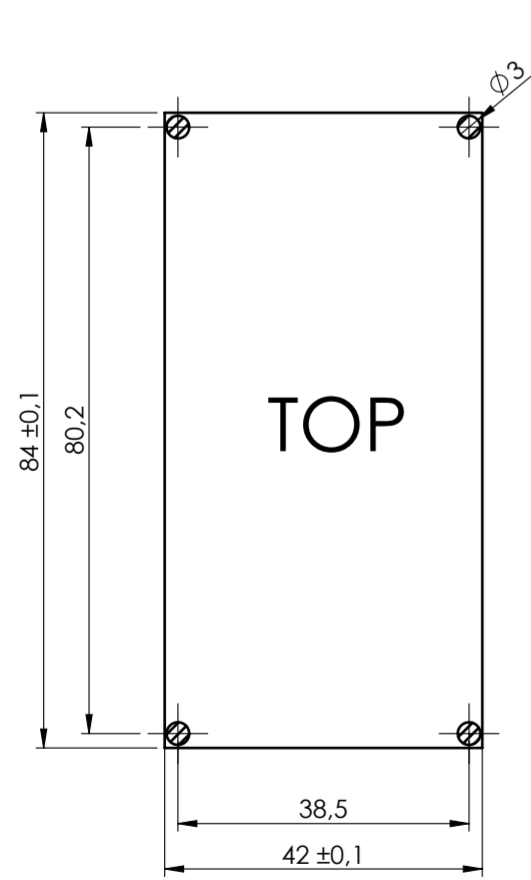
Max height of the terminal:
 Modulbox XT/XTS: 18.5 mm
 Modulbox ONE: 20 mm



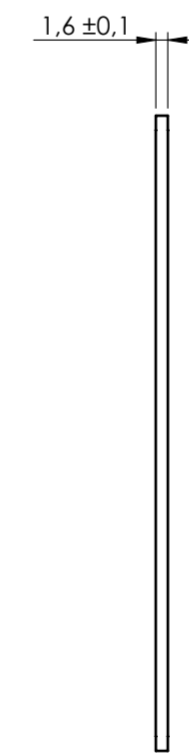
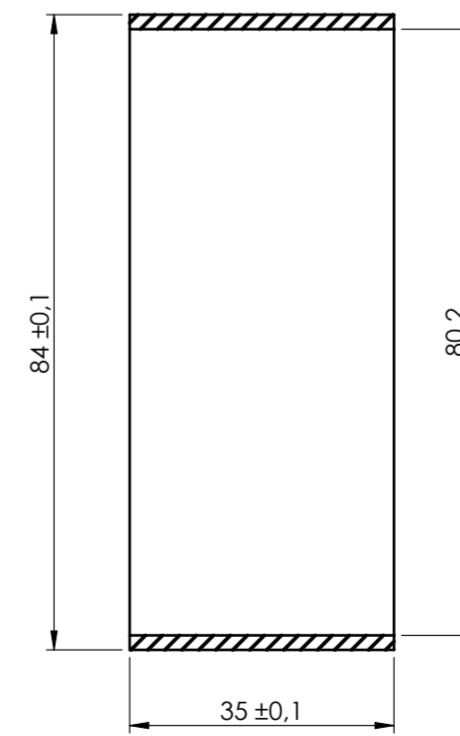
PCB B



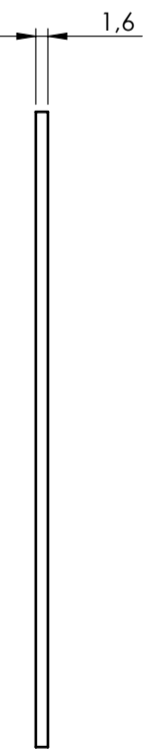
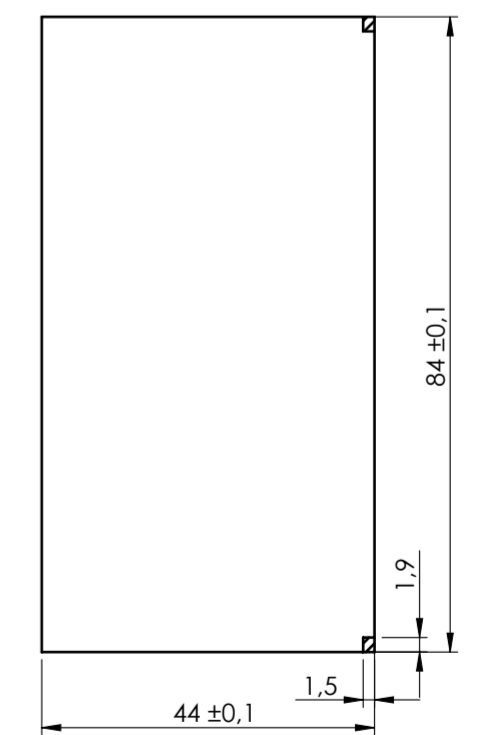
PCB C



PCB V1



PCB V2



General Tolerance UNI EN 22768/1 Media (m)					Sheet:
from 0.5 to 3 ± 0.1	from 3 to 6 ± 0.1	from 6 to 30 ± 0.2	from 30 to 120 ± 0.3	from 120 to 400 ± 0.5	PCB
Scale:	Drawn:	Checked:	Date:	Material:	Process:
1:1	F.E.	R.N.	11/10/2024		
Dimension in mm		Derived from:	Weight:	Cod. Mold:	
			gr	--	
 enclosures for electronics italtronic.com		Description: KIT CONTENITORE MODULBOX XT 5MH53-B KIT ENCLOSURE MODULBOX XT 5MH53-B			Rev.:
		Drawing nr.:			00
		3_250_00213			A2

NO COMPONENTS AREA