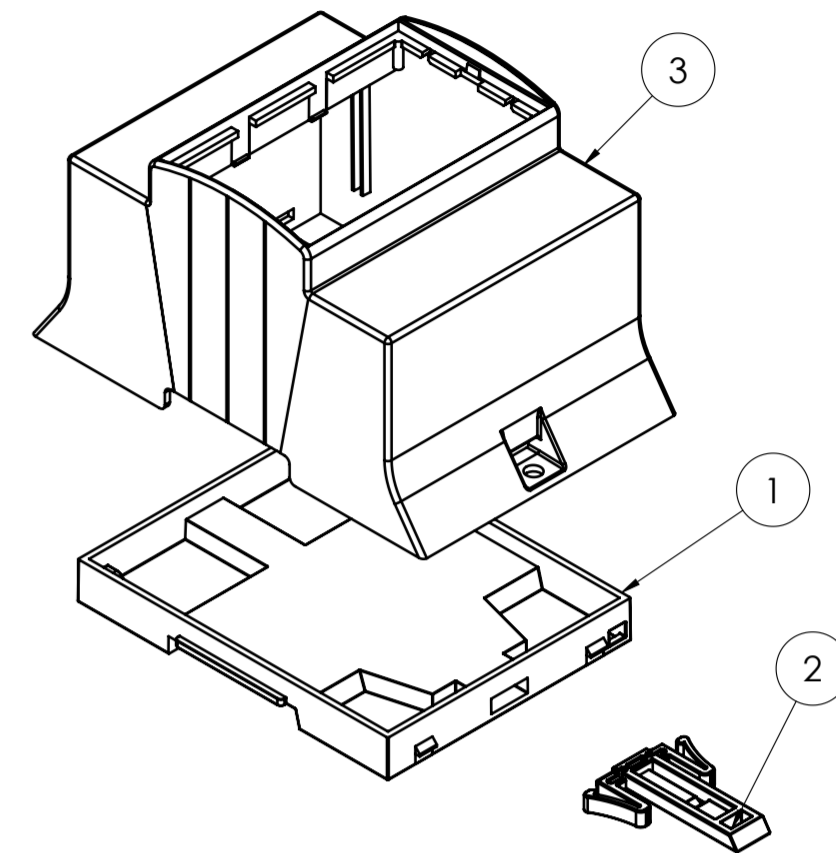
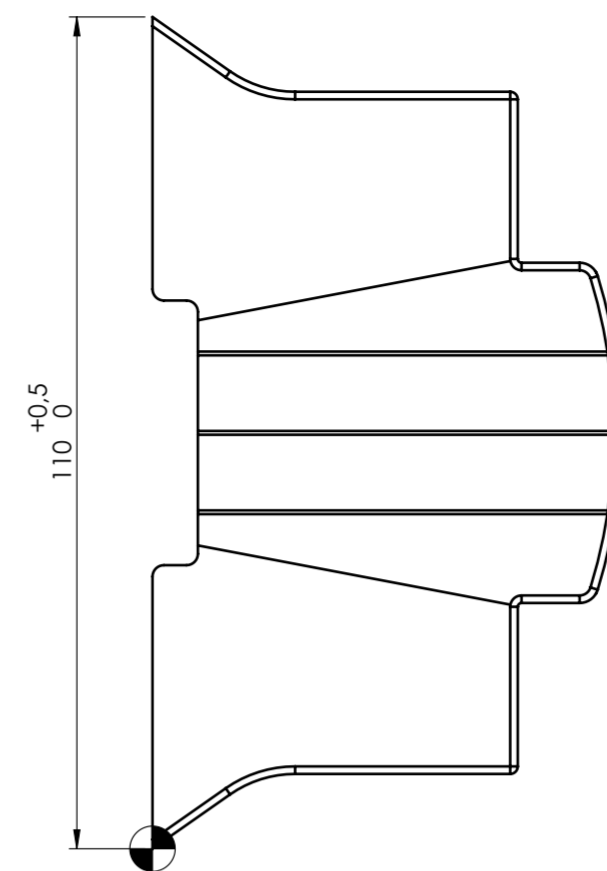
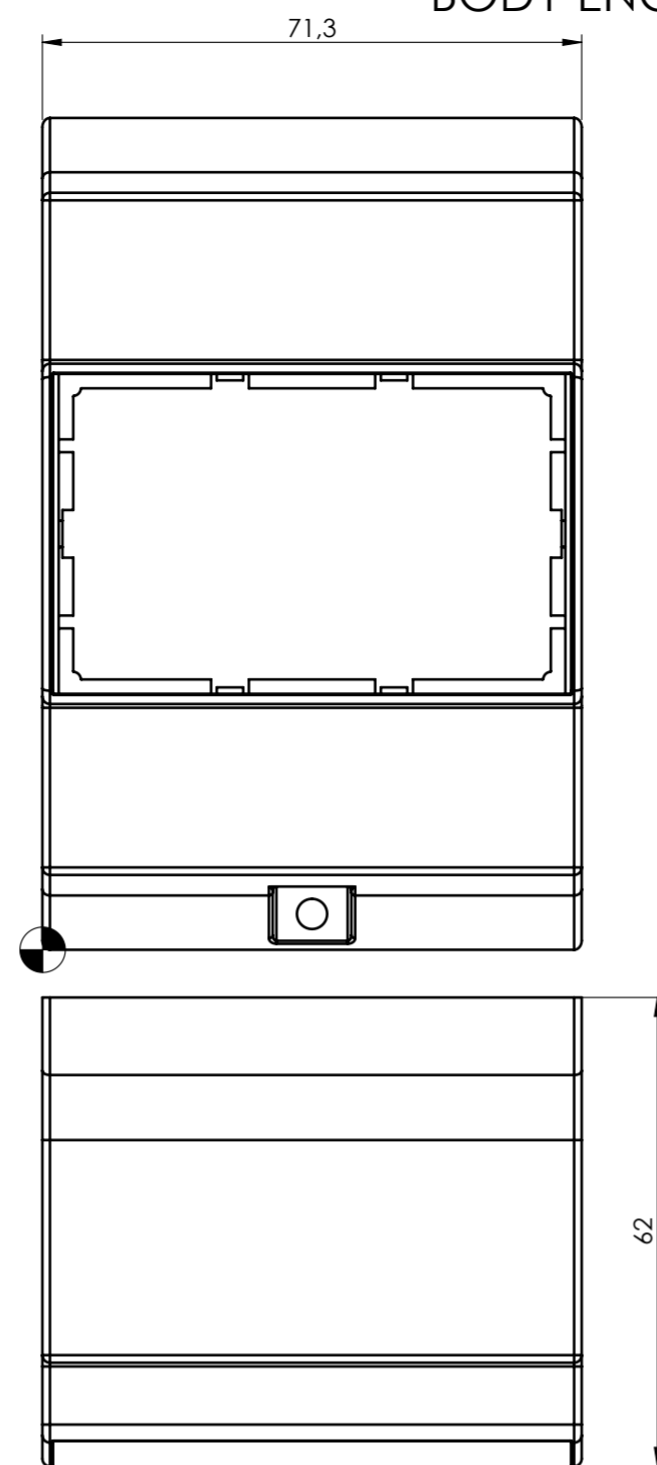
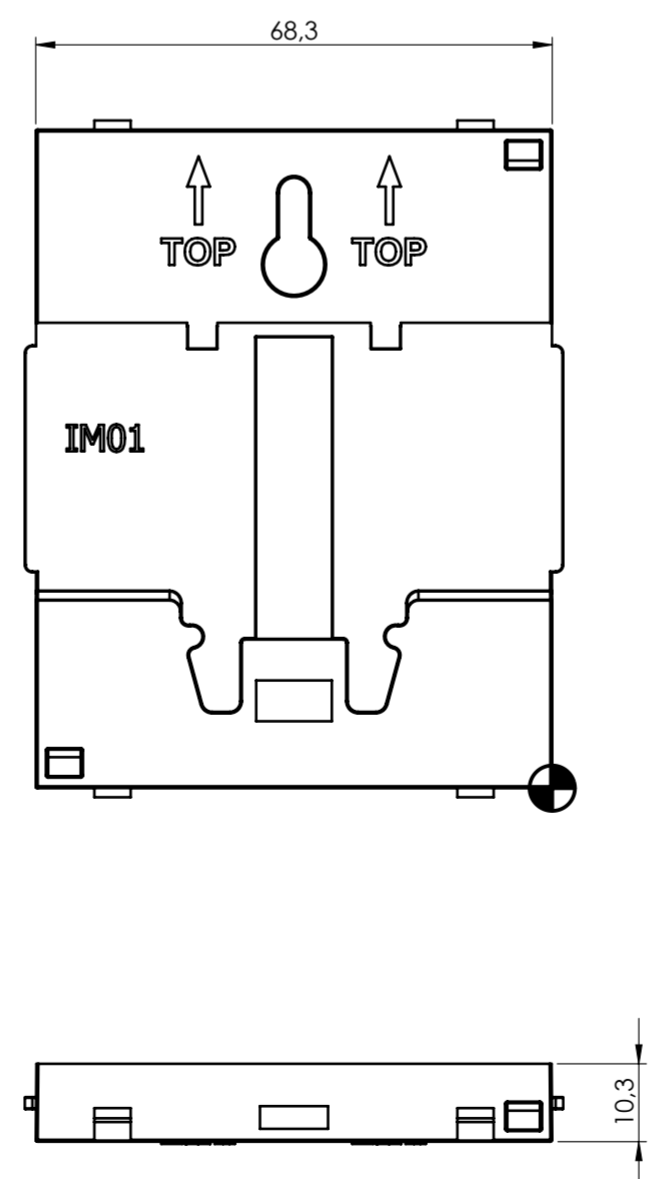


### BODY ENCLOSURE

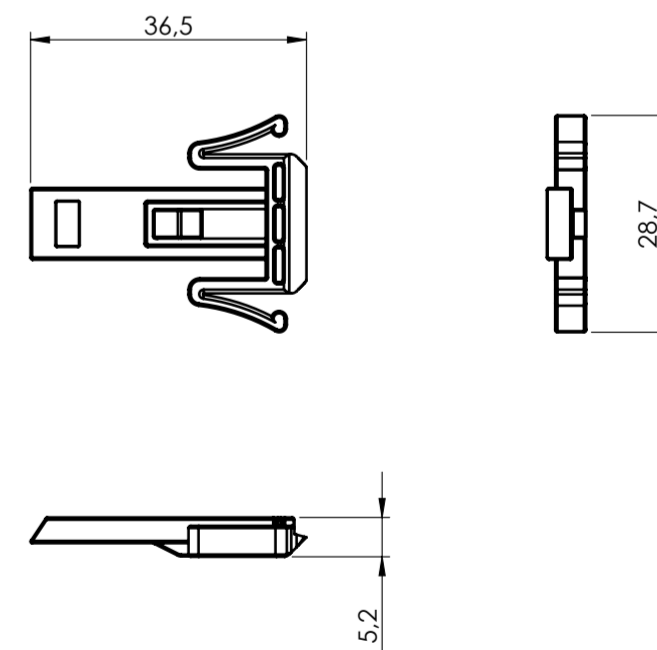


### BASE



General information:  
 - Workpiece zero point for mechanical processing  
 - Minimum recommended radius for machining = R1.0 mm  
 - Mounting rail like EN 60715: TH 35-15  
 - Recommended PCB outline on [www.italtronic.com](http://www.italtronic.com)

### HOOK



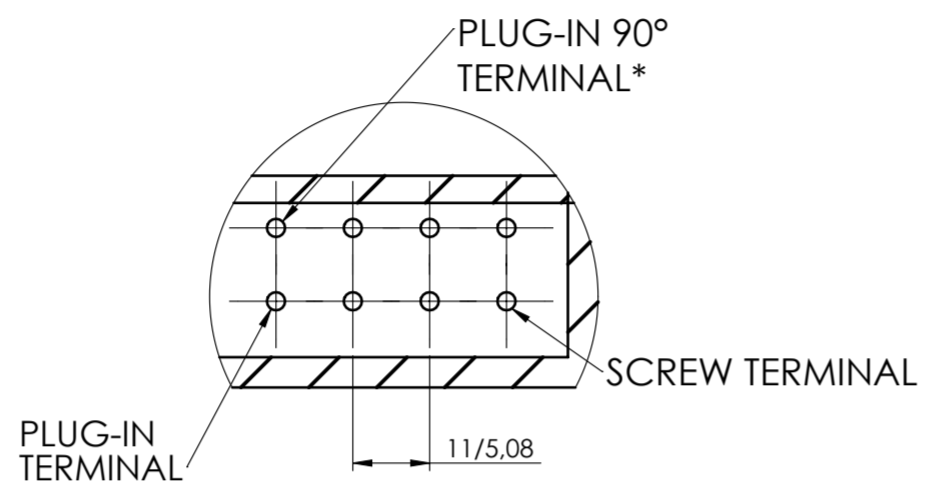
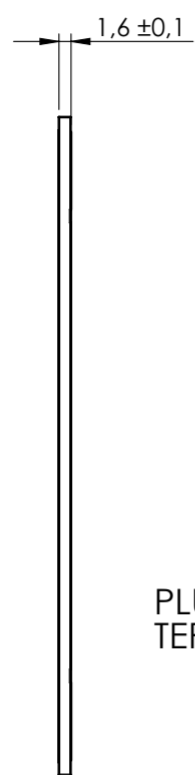
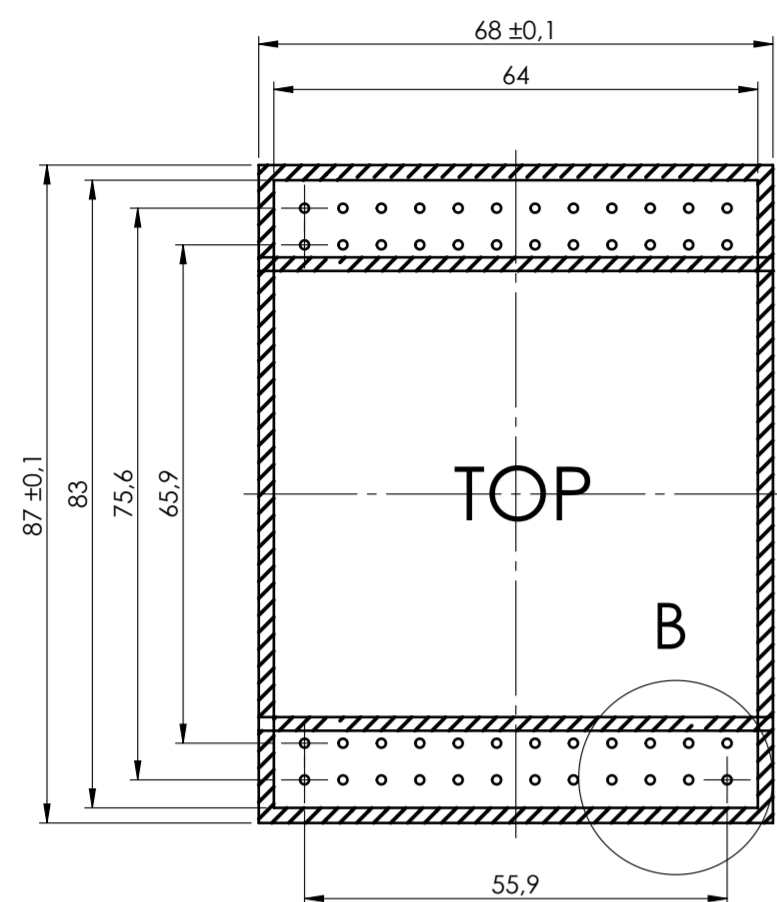
RIF.	Q.TY	DRAWING	DESCRIPTION
1	1	2_250_03633	BASE MODULBOX XT/XTS 4M
2	1	2_250_00072	HOOK FOR MODULBOX XT-XTS
3	1	2_250_03880	BODY ENCLOSURE MODULBOX XT 4M53-C

General Tolerance UNI EN 22768/1 Media (m)					Sheet:
from 0.5 to 3 ± 0.1	from 3 to 6 ± 0.1	from 6 to 30 ± 0.2	from 30 to 120 ± 0.3	from 120 to 400 ± 0.5	1
Scale:	Drawn:	Checked:	Date:	Material:	Process:
1:1	F.E.	R.N.	10/10/2024		
Dimension in mm	Derived from:	Weight:	Cod. Mold:		
	--	gr	--		

 enclosures for electronics <a href="http://italtronic.com">italtronic.com</a>	Description: KIT CONTENITORE MODULBOX XT 4M53-C KIT ENCLOSURE MODULBOX XT 4M53-C		Rev.: 00 A2
	Drawing nr.: <b>3_250_00209</b>		

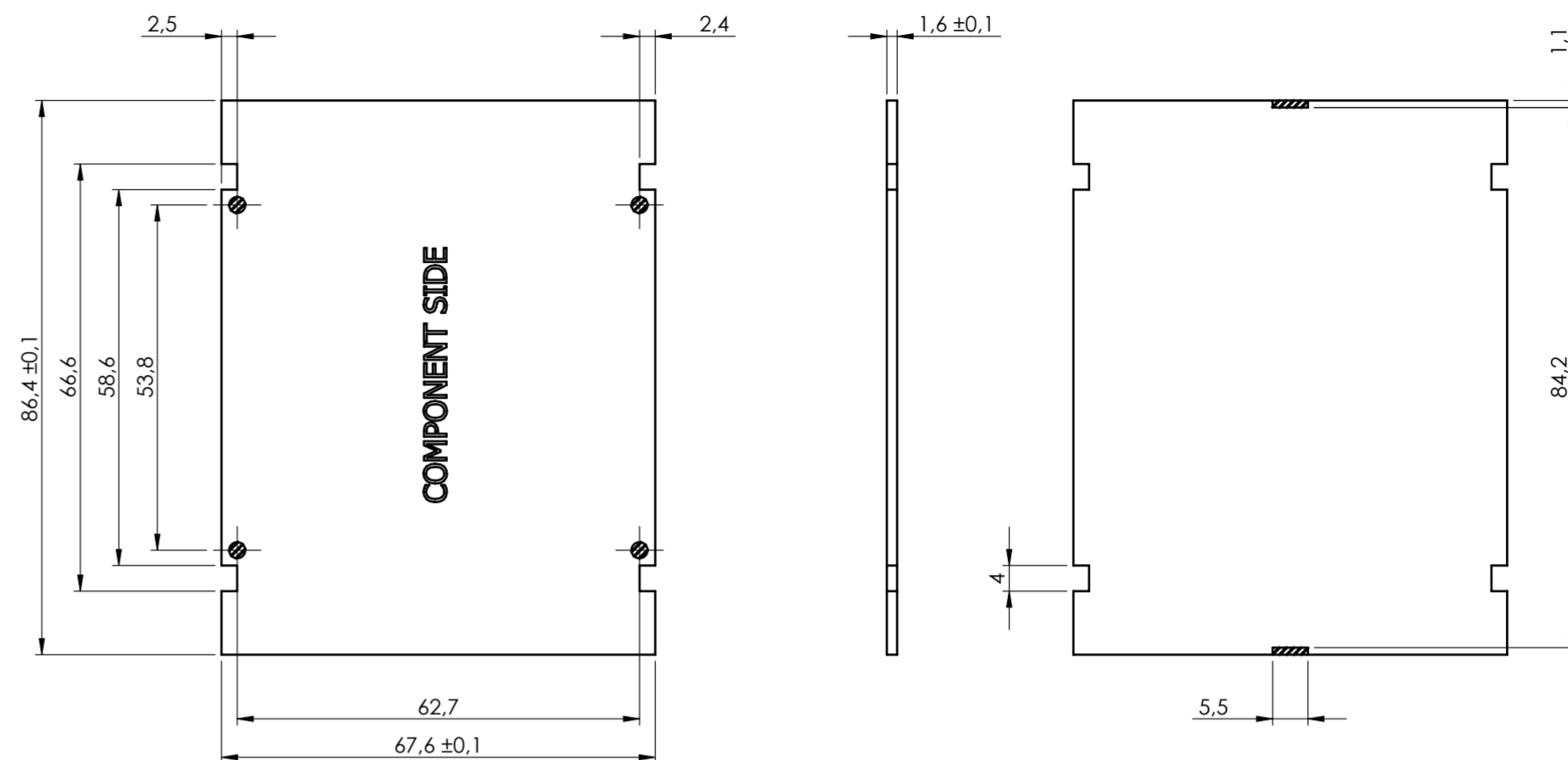
PCB A

Max height of the terminal:  
 Modulbox XT/XTS: 18.5 mm  
 Modulbox ONE: 20 mm

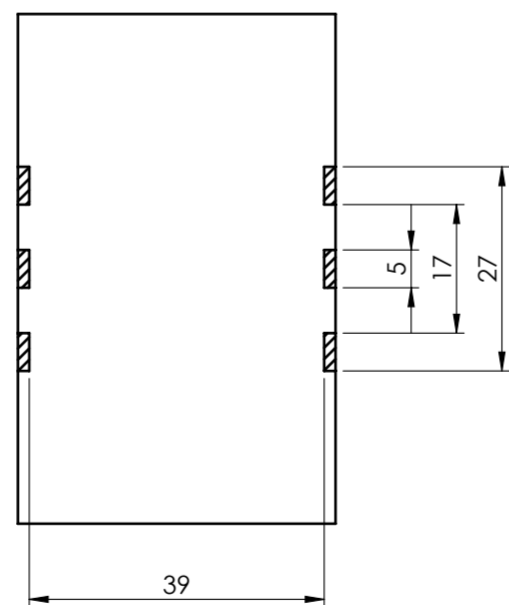
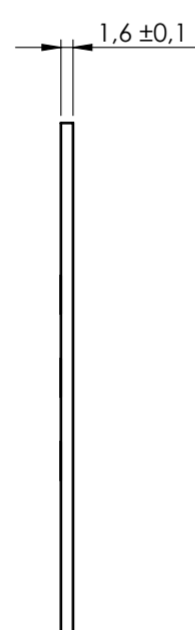
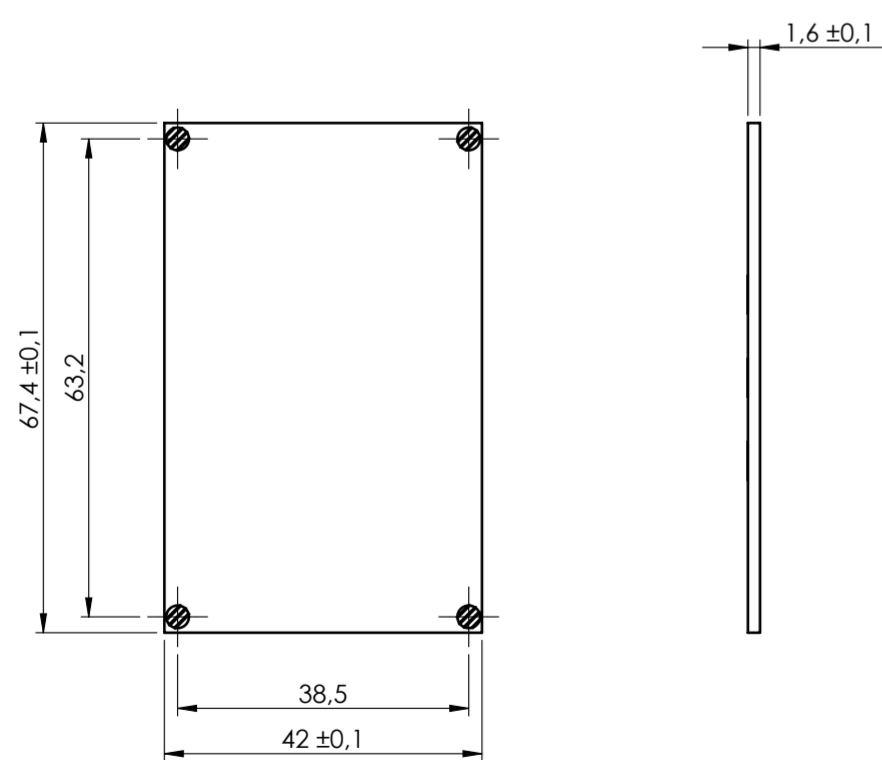


DETAIL B  
 SCALE 2 : 1

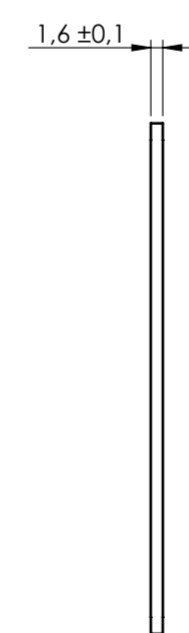
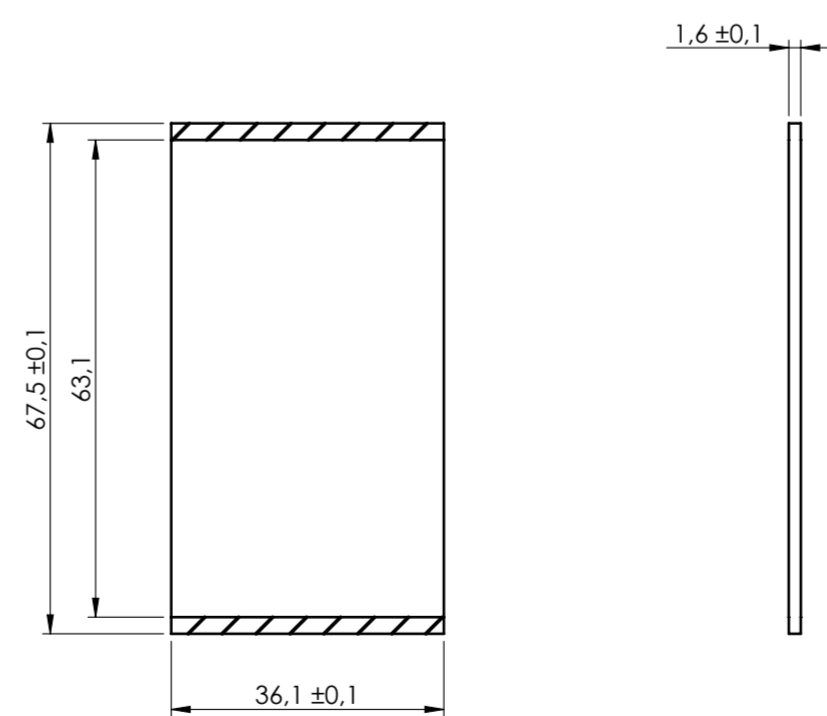
PCB B



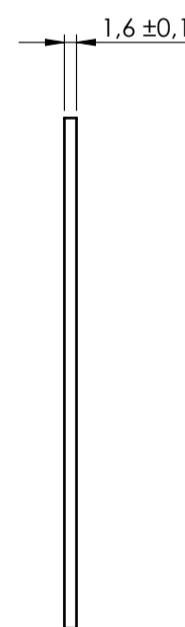
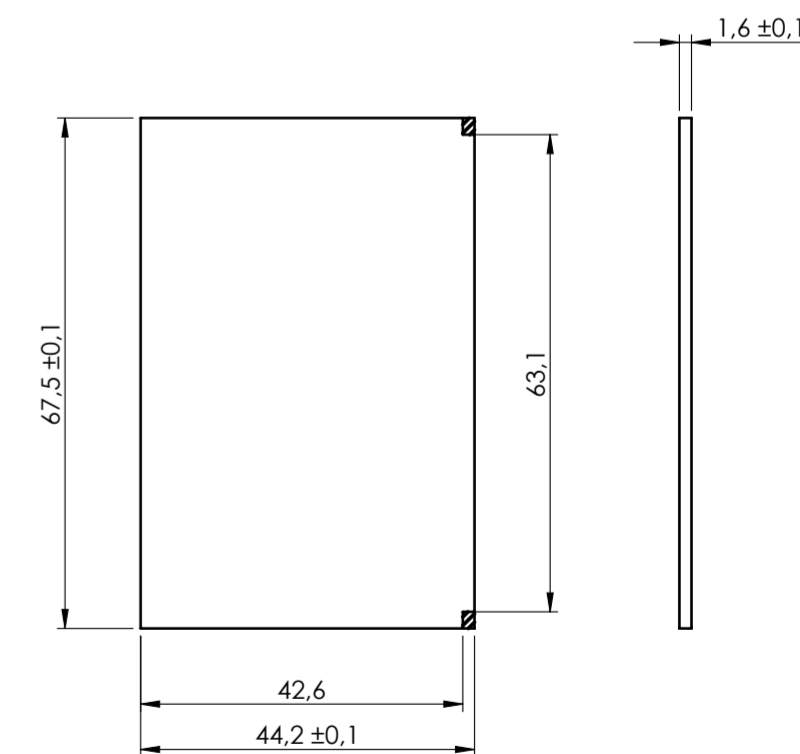
PCB C



PCB V1



PCB V2



General Tolerance UNI EN 22768/1 Media (m)					Sheet:
from 0.5 to 3 ± 0.1	from 3 to 6 ± 0.1	from 6 to 30 ± 0.2	from 30 to 120 ± 0.3	from 120 to 400 ± 0.5	PCB
Scale:	Drawn:	Checked:	Date:	Material:	Process:
1:1	F.E.	R.N.	10/10/2024		
Dimension in mm		Derived from:	Weight:	Cod. Mold:	
		--	gr	--	
 enclosures for electronics italtronic.com		Description: KIT CONTENITORE MODULBOX XT 4M53-C KIT ENCLOSURE MODULBOX XT 4M53-C			Rev.:
		Drawing nr.: <b>3_250_00209</b>			00 A2

NO COMPONENTS AREA