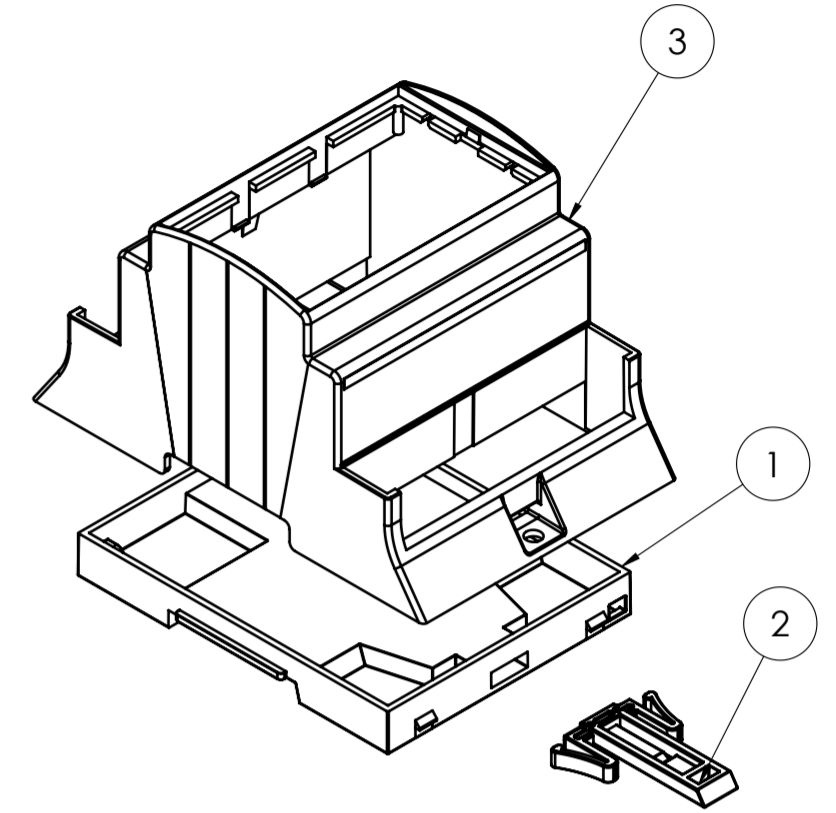
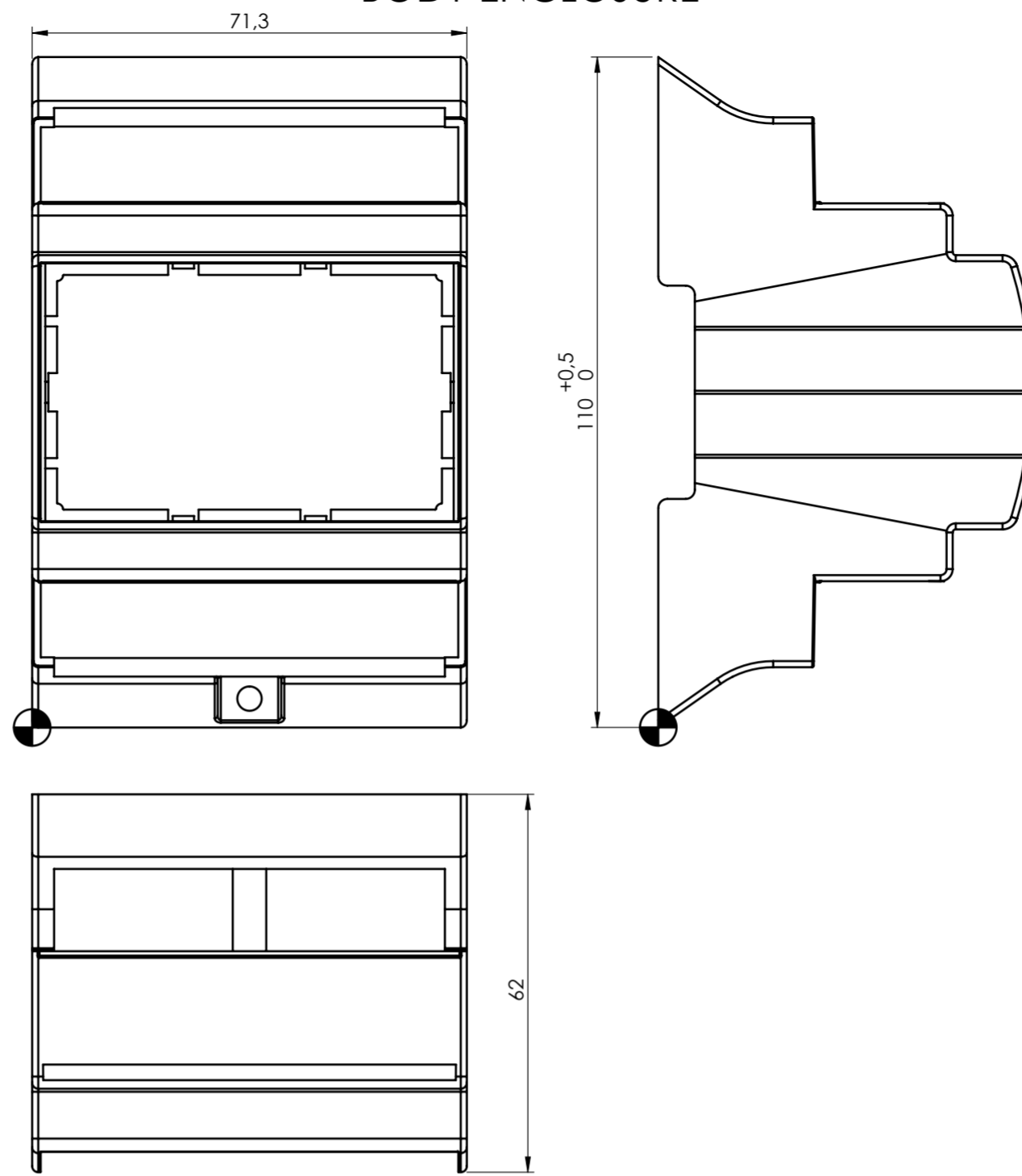
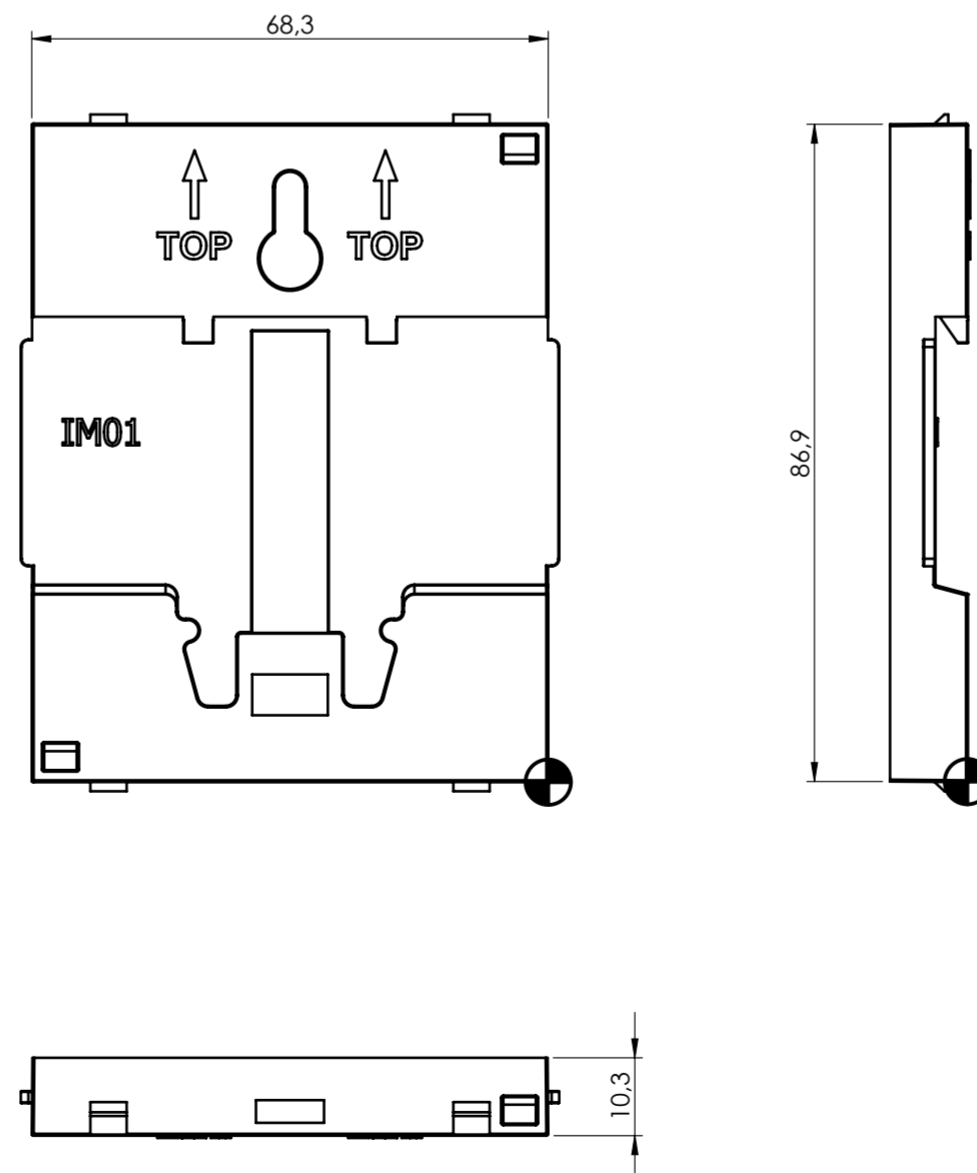


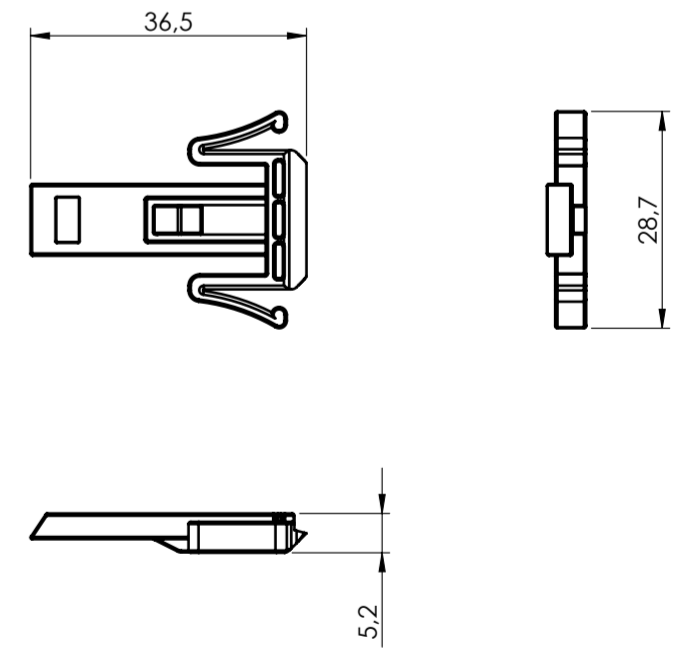
BODY ENCLOSURE



BASE



HOOK



General information:
 - Workpiece zero point for mechanical processing
 - Minimum recommended radius for machining = R1.0 mm
 - Mounting rail like EN 60715: TH 35-15
 - Recommended PCB outline on www.italtronic.com

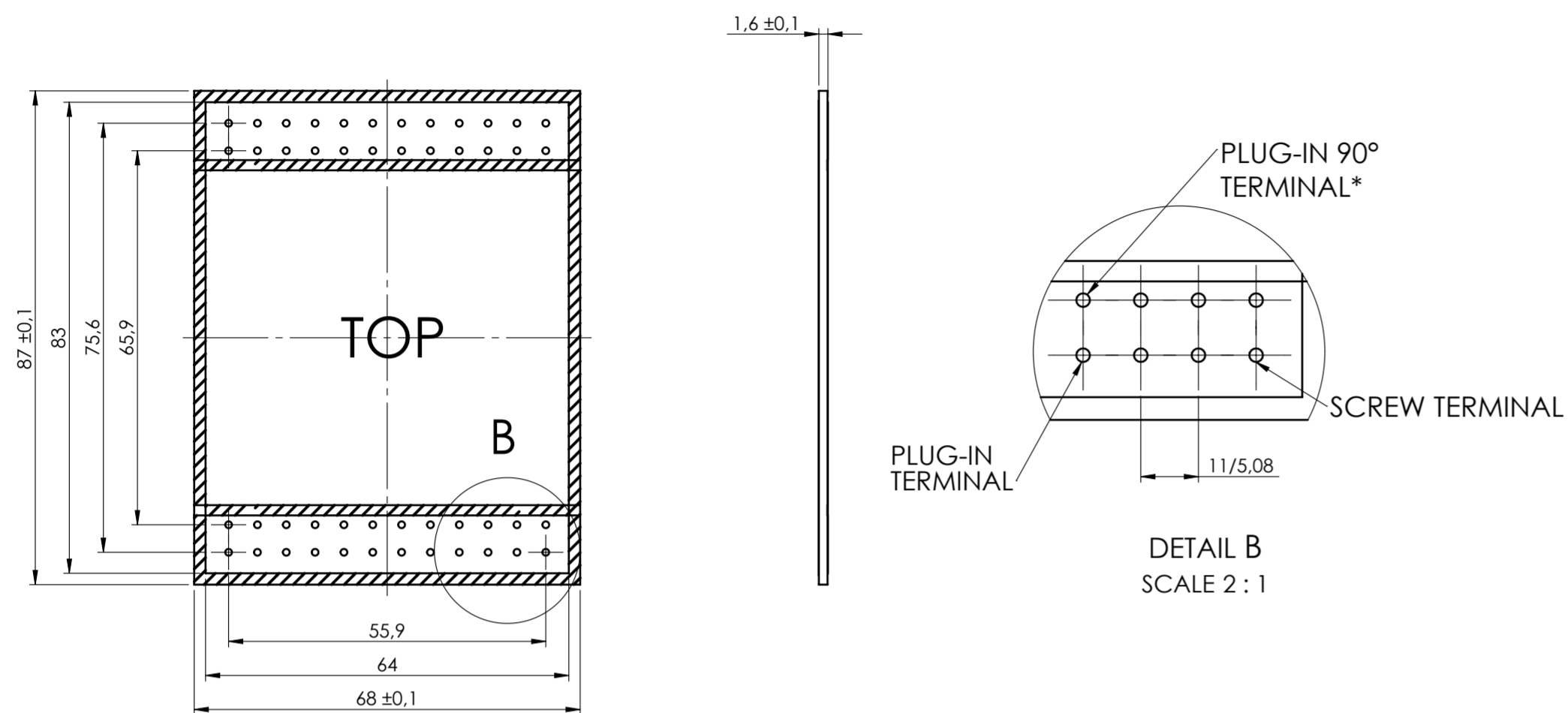
RIF.	Q.TY	DRAWING	DESCRIPTION
1	1	2_250_03633	BASE MODULBOX XT/XTS 4M
2	1	2_250_00072	HOOK FOR MODULBOX XT-XTS
3	1	2_250_03875	BODY ENCLOSURE MODULBOX XT 4M53-A

General Tolerance UNI EN 22768/1 Media (m)						Sheet:
from 0.5 to 3	from 3 to 6	from 6 to 30	from 30 to 120	from 120 to 400		1
± 0.1	± 0.1	± 0.2	± 0.3	± 0.5		
Scale:	Drawn:	Checked:	Date:	Material:	Process:	
1:1	F.E.	R.N.	10/10/2024			
Dimension in mm	Derived from:			Weight:	Cod. Mold:	
				gr	--	

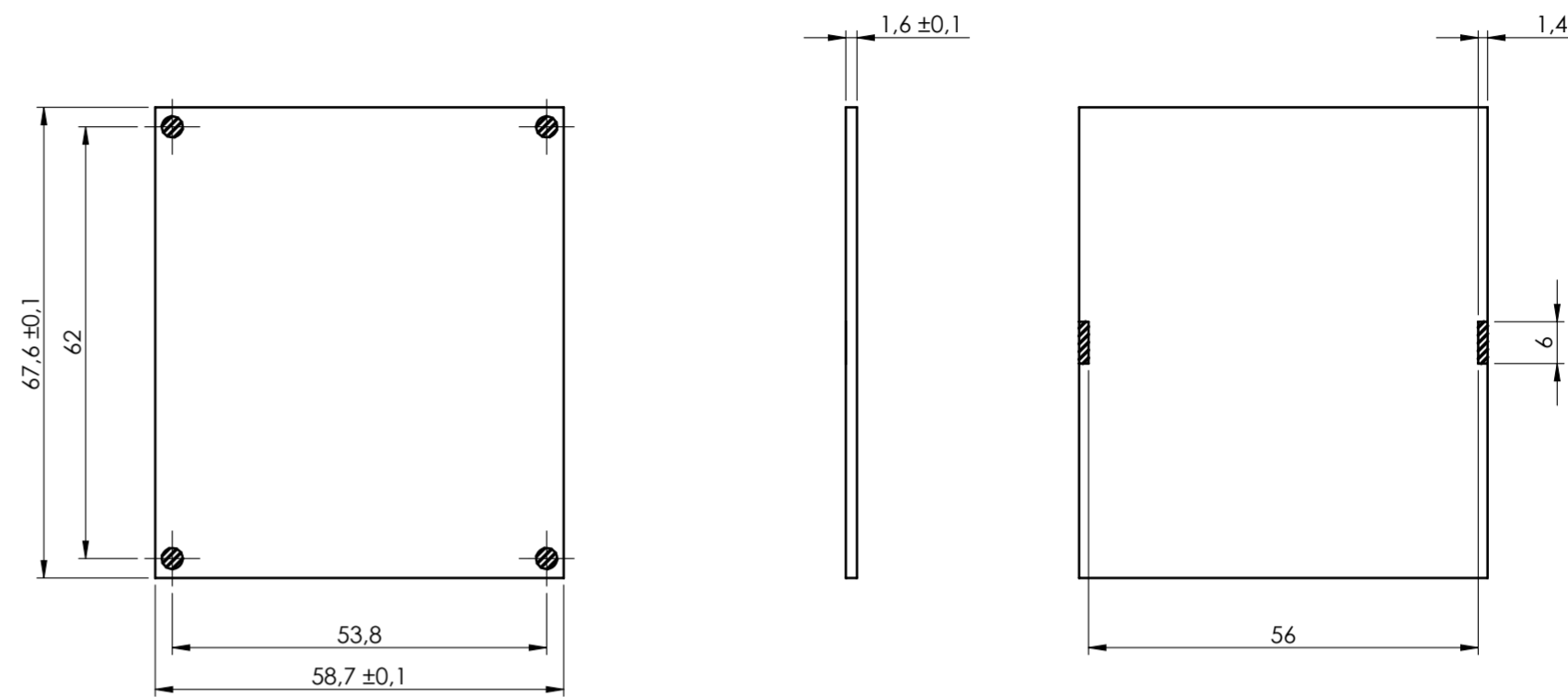
 enclosures for electronics italtronic.com	Description:		Rev:
	KIT CONTENITORE MODULBOX XT 4M53-A KIT ENCLOSURE MODULBOX XT 4M53-A		
Drawing nr.:	3_250_00204		A2

PCB A

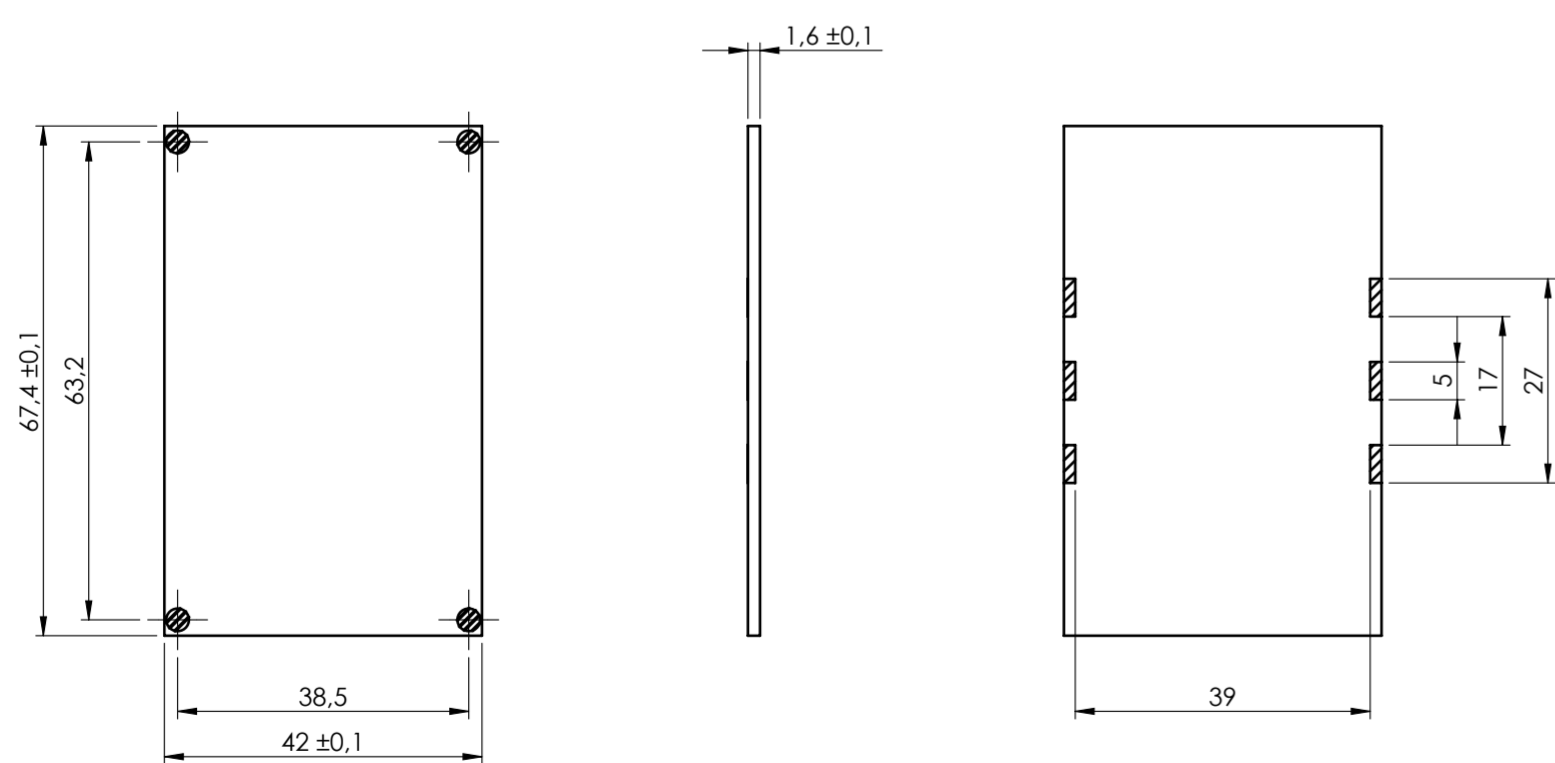
Max height of the terminal:
 Modulbox XT/XTS: 18.5 mm
 Modulbox ONE: 20 mm



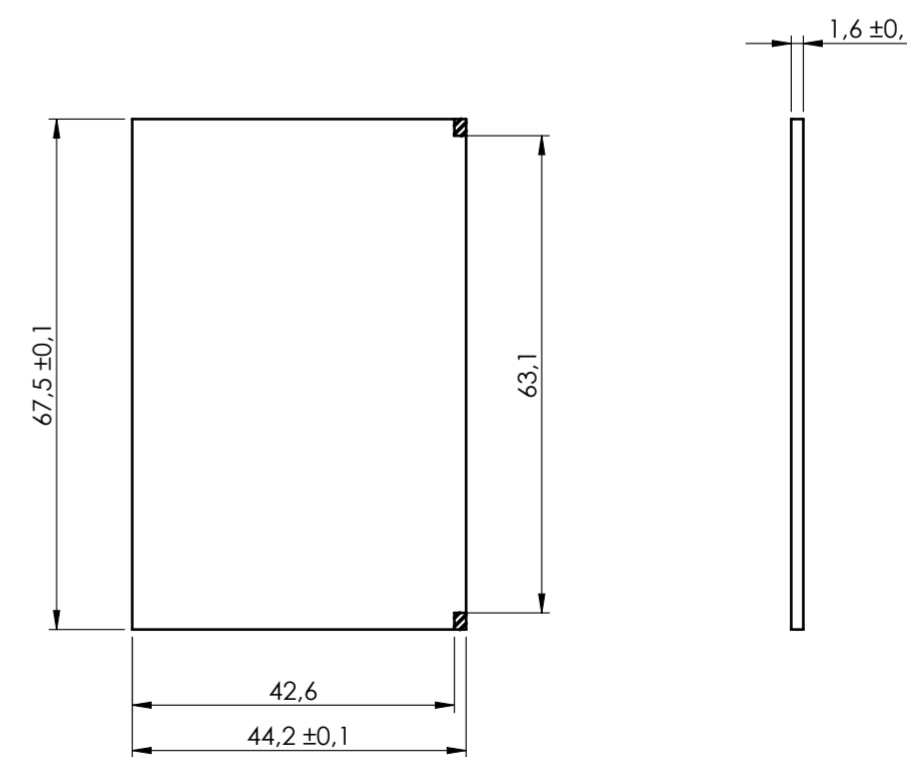
PCB B



PCB C



PCB V2



NO COMPONENTS AREA

General Tolerance UNI EN 22768/1 Media (m)					Sheet:
from 0.5 to 3 ± 0.1	from 3 to 6 ± 0.1	from 6 to 30 ± 0.2	from 30 to 120 ± 0.3	from 120 to 400 ± 0.5	PCB
Scale:	Drawn:	Checked:	Date:	Material:	Process:
1:1	F.E.	R.N.	10/10/2024		
Dimension in mm		Derived from:	Weight:	Cod. Mold:	
			gr	--	
 enclosures for electronics italtronic.com		Description: KIT CONTENITORE MODULBOX XT 4M53-A KIT ENCLOSURE MODULBOX XT 4M53-A			Rev.:
		Drawing nr.:			00
		3_250_00204			A2